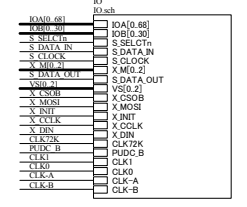
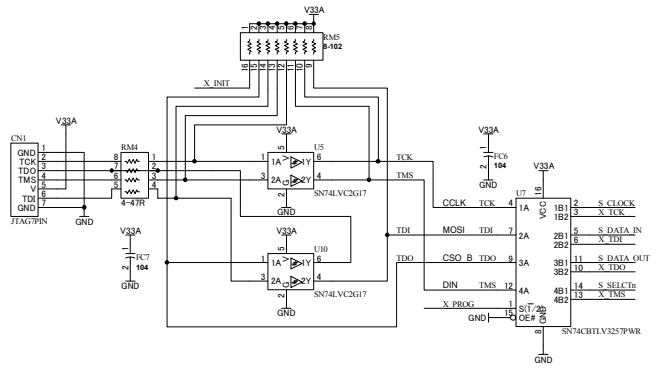
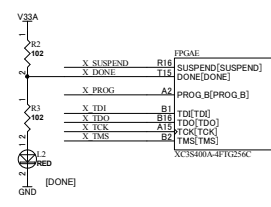
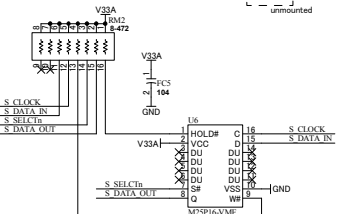
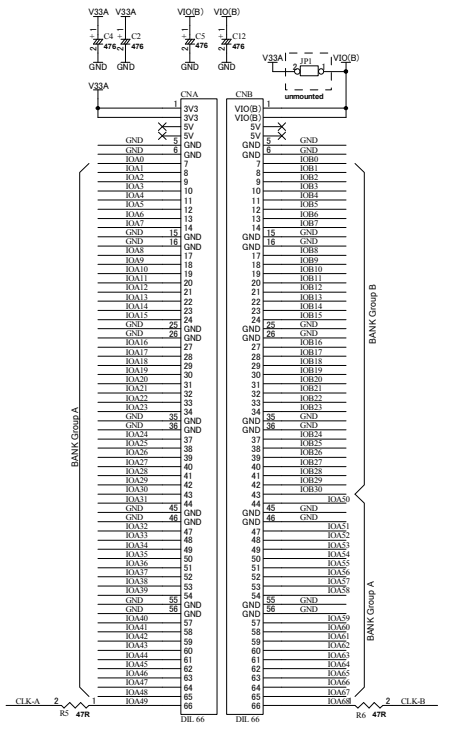
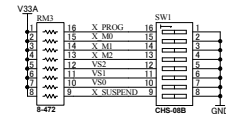
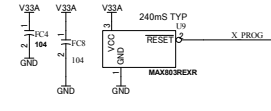
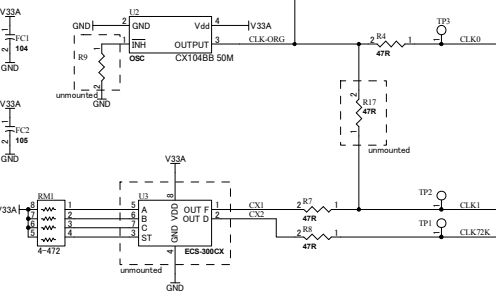
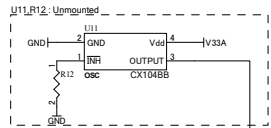
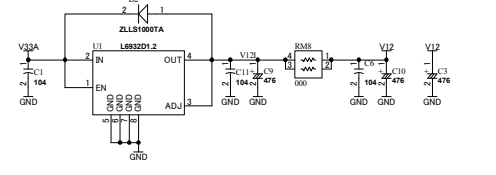
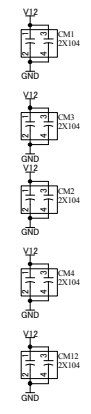
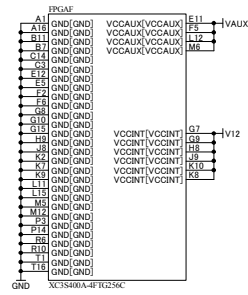


[part : FPGA PIN NAME of 7001400



XCM014R1-SCH-A7.pdf



DSN	TITLE	Xilinx Spartan-3A FTG256 FPGA board	
DOC No:	XCM-014	A7	
FILE: XCM014A.sch	DATE: 26-Nov-2016 10:40:36	Sheet:	1 / 2

