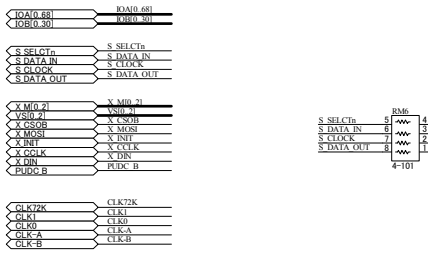
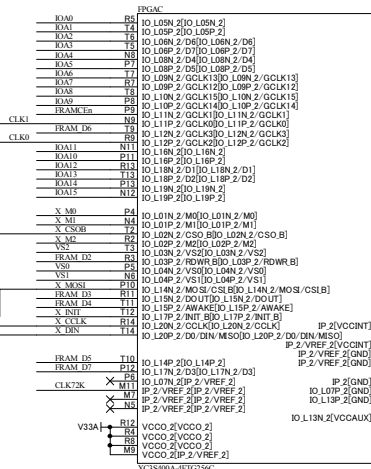
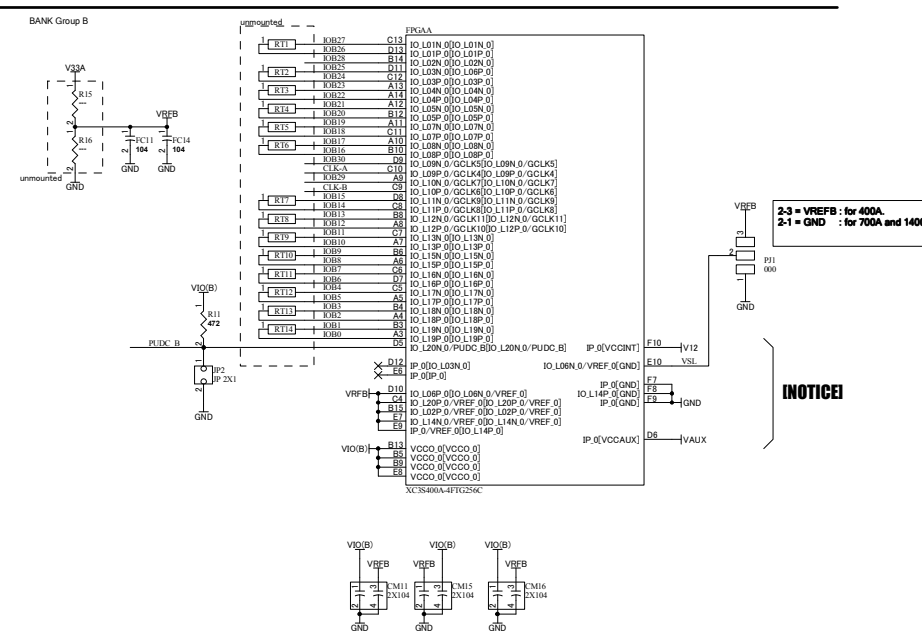


[xxx] is FPGA PIN NAME of 700/1400

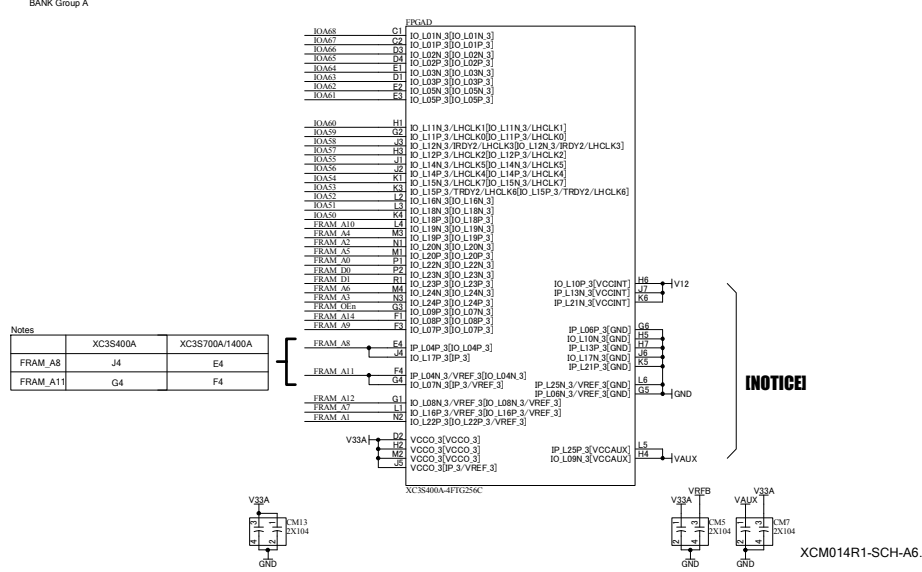


NOTICE



2-3 = VREFB for 400A.
2-1 = GND for 700A and 1400A.

NOTICE



Notes

FRAM	XC3S400A	XC3S700A/1400A
FRAM_A8	J4	E4
FRAM_A11	G4	F4

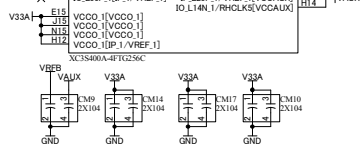
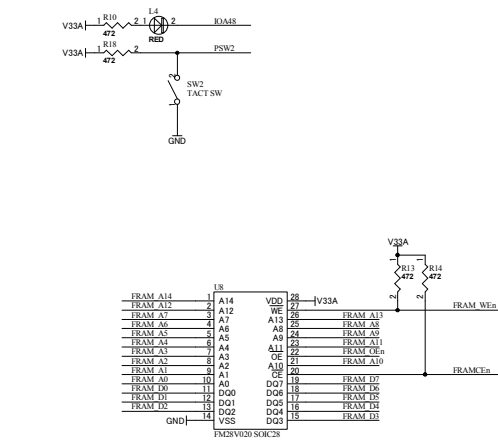
FRAM_A12: G4
FRAM_A7: G4
FRAM_A1: G4

FRAM_A10: M4
FRAM_A9: M4
FRAM_A8: M4
FRAM_A7: M4
FRAM_A6: M4
FRAM_A5: M4
FRAM_A4: M4
FRAM_A3: M4
FRAM_A2: M4
FRAM_A1: M4

FRAM_A11: M4
FRAM_A10: M4
FRAM_A9: M4
FRAM_A8: M4
FRAM_A7: M4
FRAM_A6: M4
FRAM_A5: M4
FRAM_A4: M4
FRAM_A3: M4
FRAM_A2: M4
FRAM_A1: M4

FRAM_A12: M4
FRAM_A7: M4
FRAM_A1: M4

NOTICE



NOTICE
For 400A device
These pins are connected to GND or Power pins.
Do not drive these pins as outputs.

HUMANDATA

HuMANDATA LTD.
OSAKA JAPAN
www.hdl.co.jp/en/(Global)
www.hdl.co.jp/(Japan)

Xilinx Spartan-3A FTG256 FPGA board

DOC. No. XCM-014

Date: 4-Feb-2013 12:20:31

File: IO.sch

Sheet 2 of 2