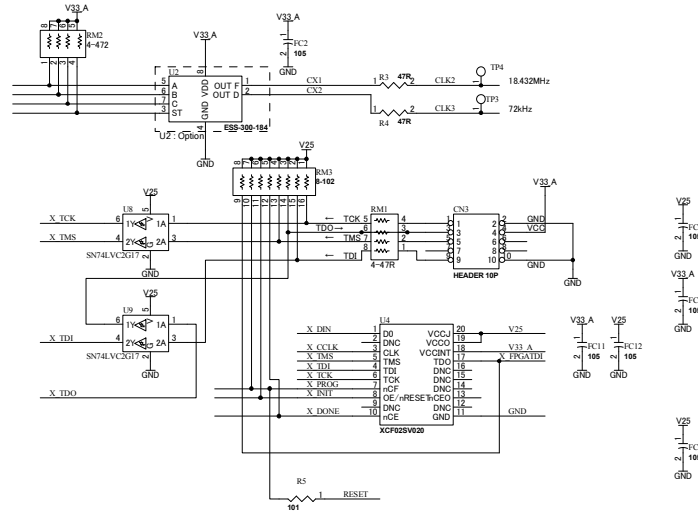
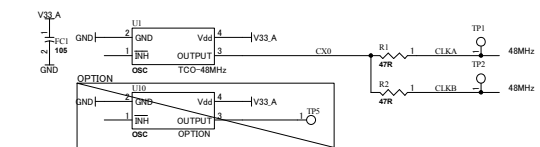
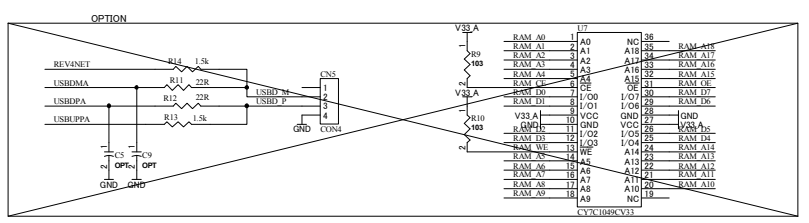
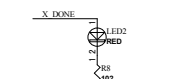
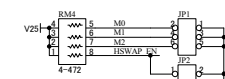
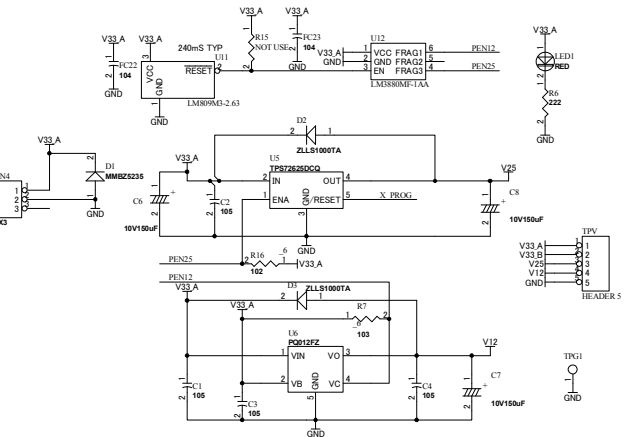
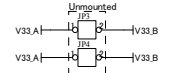
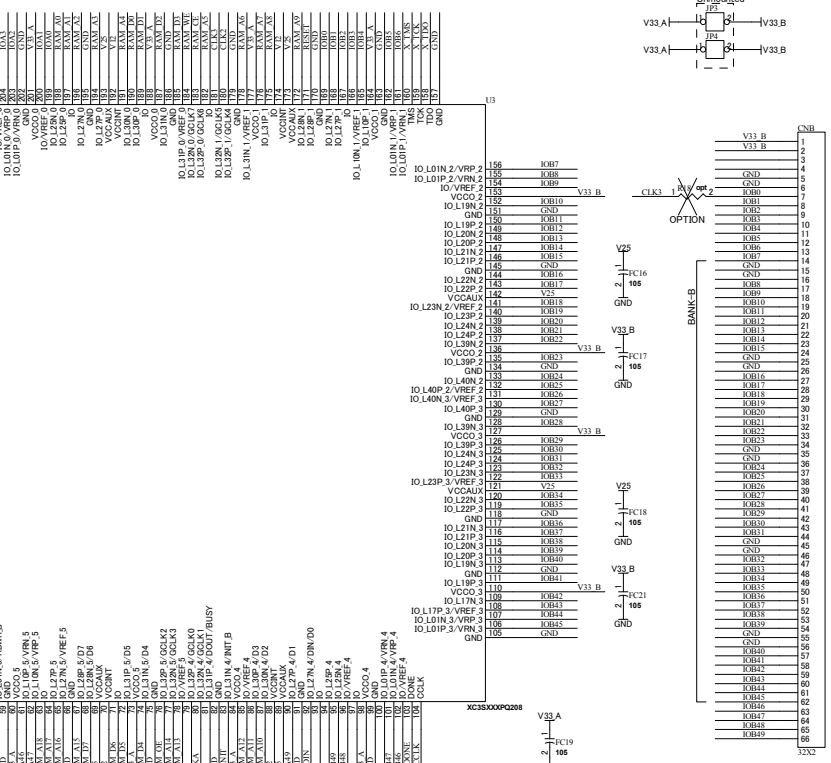
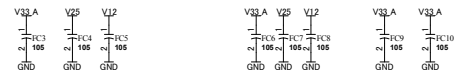


V12
V13
V25
V33.A
V30
GND



CNA

1	V33.A
2	V33.A
3	GND
4	GND
5	R3A5
6	R3A6
7	R3A7
8	R3A8
9	R3A9
10	R3A10
11	R3A11
12	R3A12
13	R3A13
14	R3A14
15	R3A15
16	R3A16
17	R3A17
18	R3A18
19	R3A19
20	R3A20
21	R3A21
22	R3A22
23	R3A23
24	R3A24
25	R3A25
26	R3A26
27	R3A27
28	R3A28
29	R3A29
30	R3A30
31	R3A31
32	R3A32
33	R3A33
34	R3A34
35	R3A35
36	R3A36
37	R3A37
38	R3A38
39	R3A39
40	R3A40
41	R3A41
42	R3A42
43	R3A43
44	R3A44
45	R3A45
46	R3A46
47	R3A47
48	R3A48
49	R3A49
50	R3A50
51	R3A51
52	R3A52
53	R3A53
54	R3A54
55	R3A55
56	R3A56
57	R3A57
58	R3A58
59	R3A59
60	R3A60
61	R3A61
62	R3A62
63	R3A63
64	R3A64
65	R3A65
66	R3A66



XCM001R4-SCH-H3.pdf



DSN	TITLE
	SP3 FPGA BOARD (Rev.4)
DOC No:	XCM-001
FILE:	XCM001H.sch
DATE:	19-Oct-2016 09:48:15
Sheet:	1 / 1