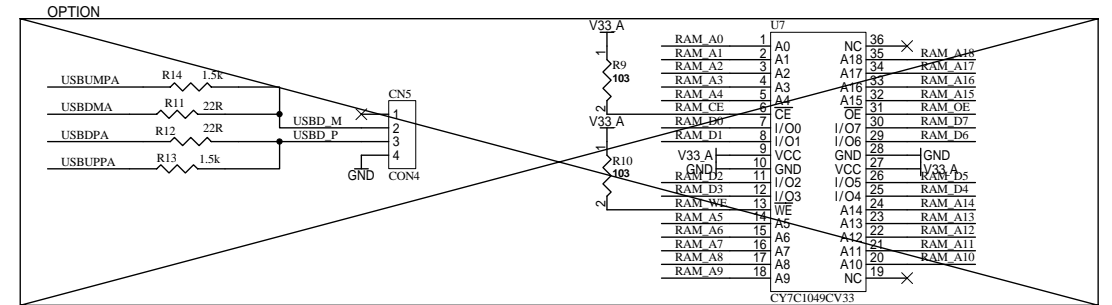
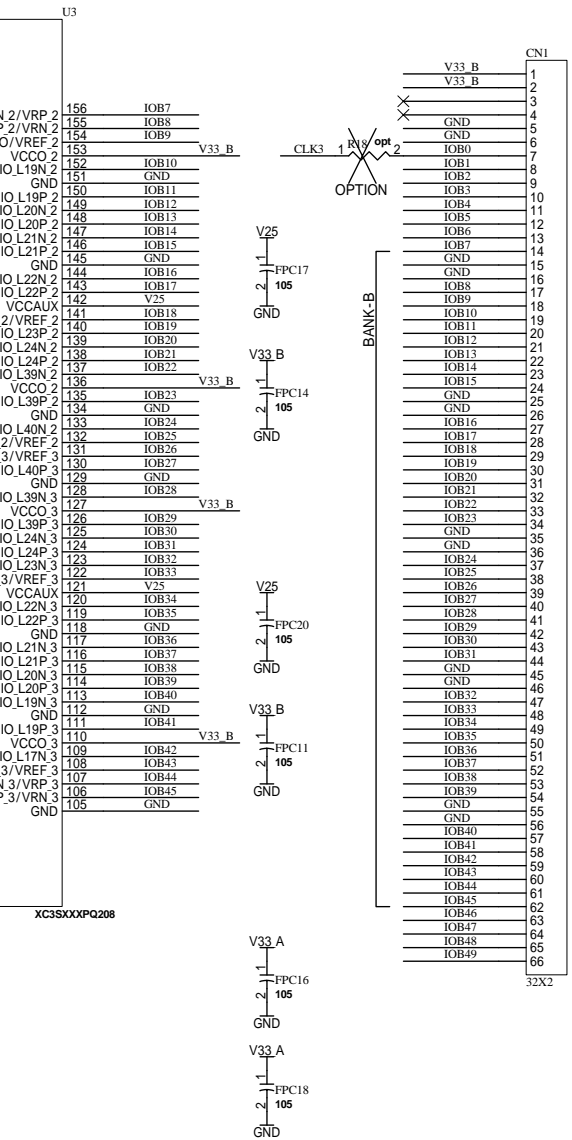
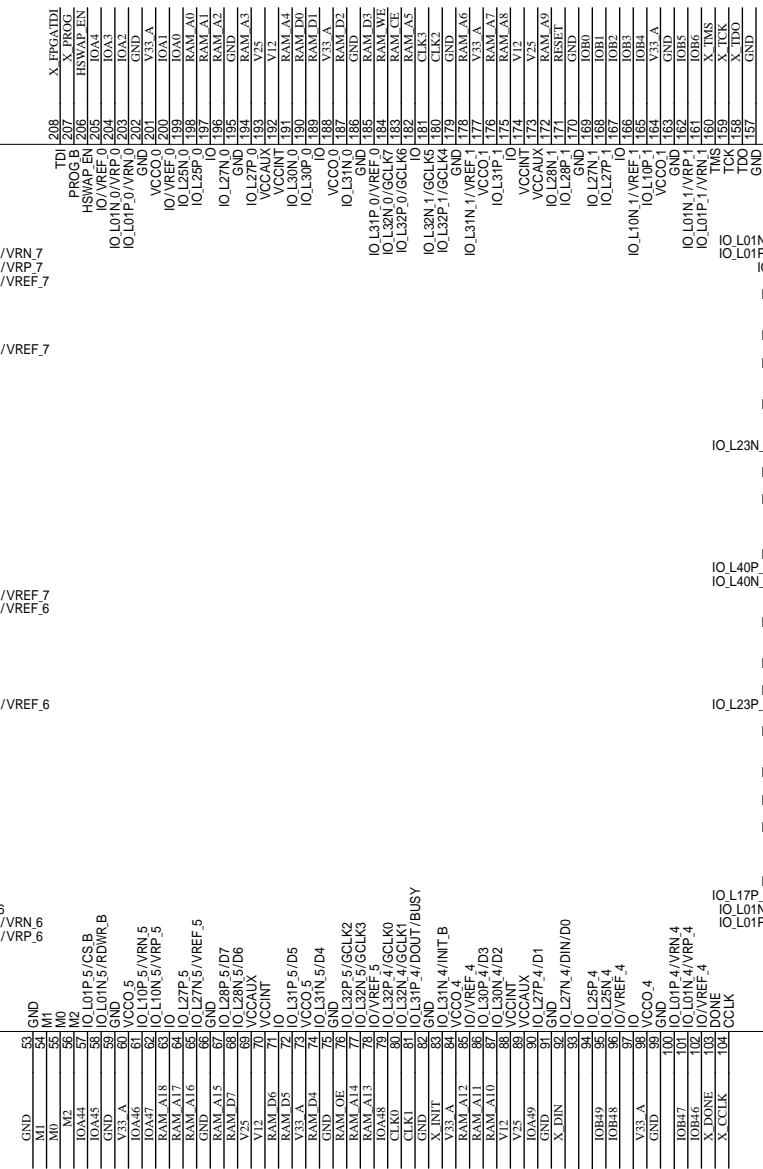
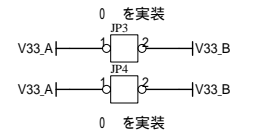
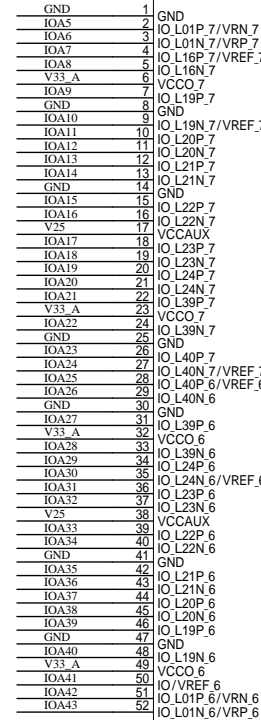
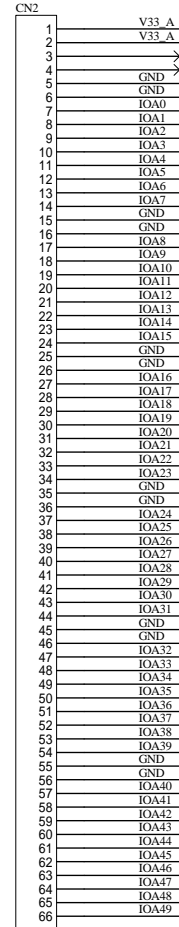
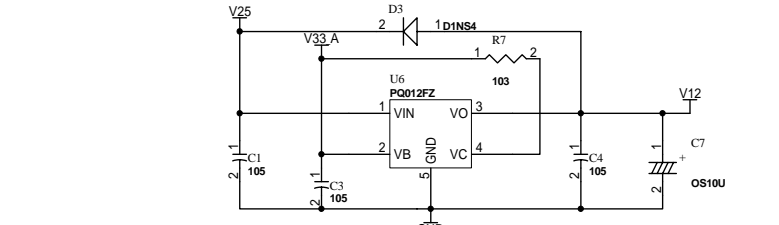
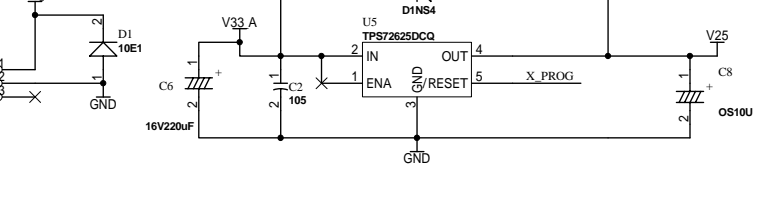
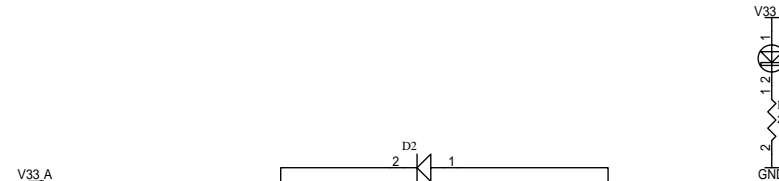
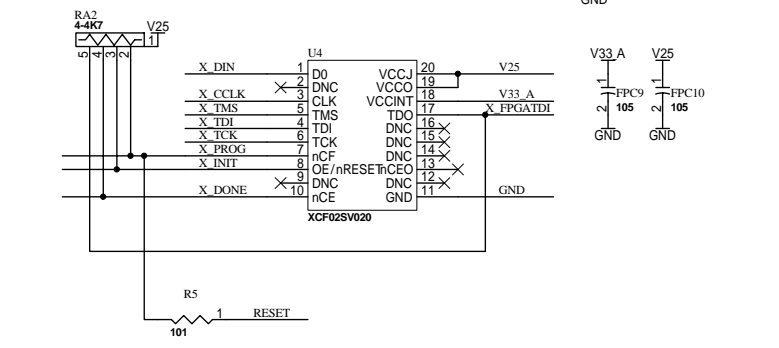
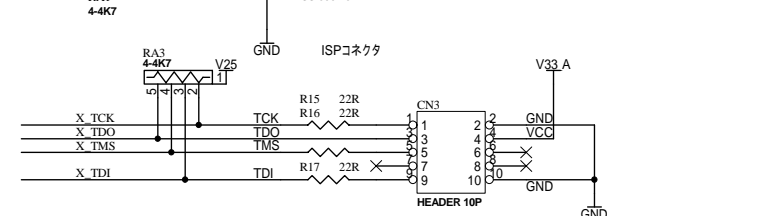
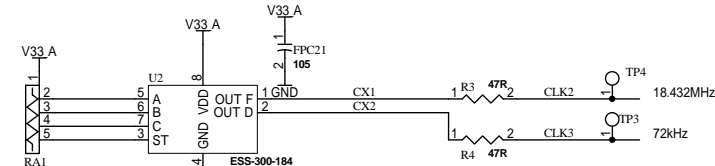
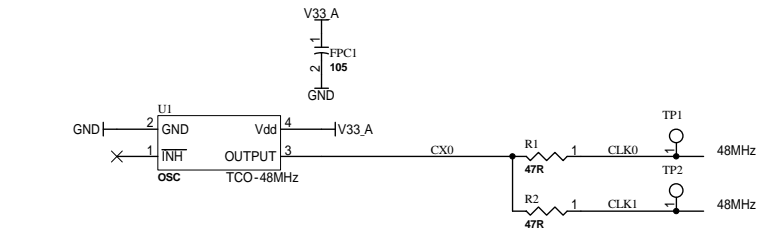


V12	V12
V25	V25
V33_A	V33_A
V50	V50
GND	GND



		HuMANDATA LTD. OSAKA JAPAN www.hdl.co.jp		SP3 FPGA BOARD		DOC. No.	XCM-001	Sheet 1 of 1