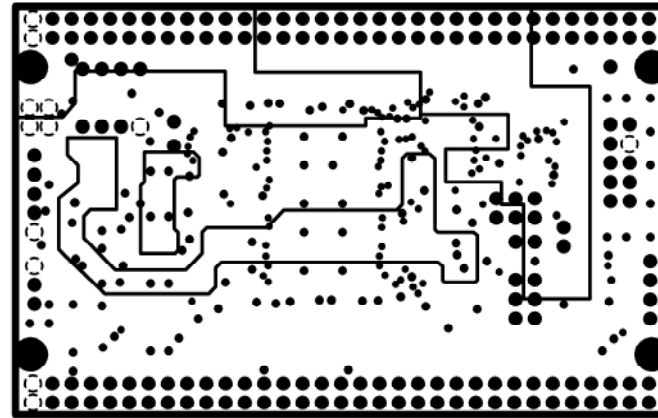
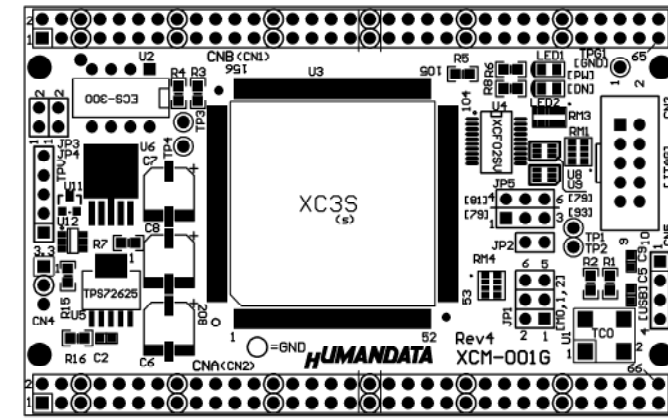


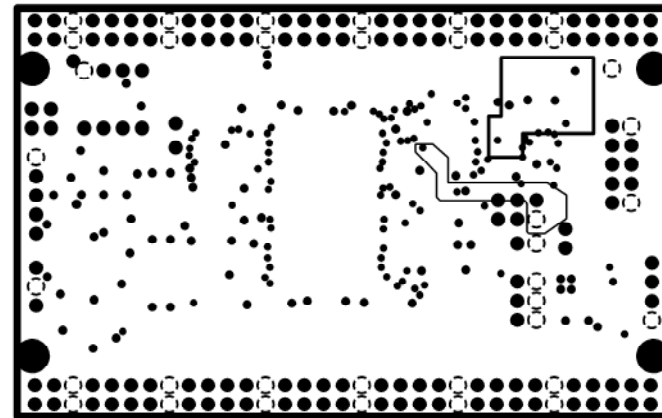
TOP LAYER



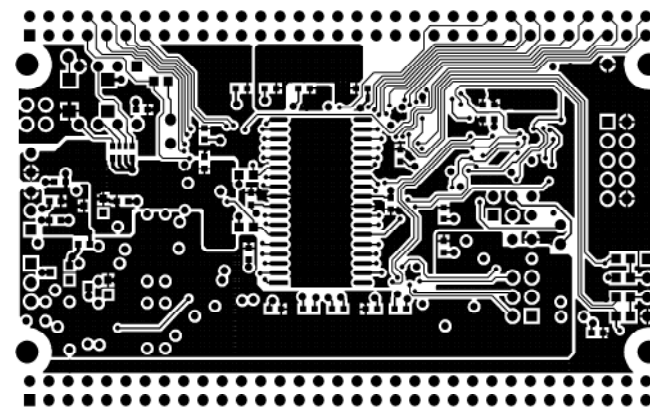
INTERNAL PLANE2



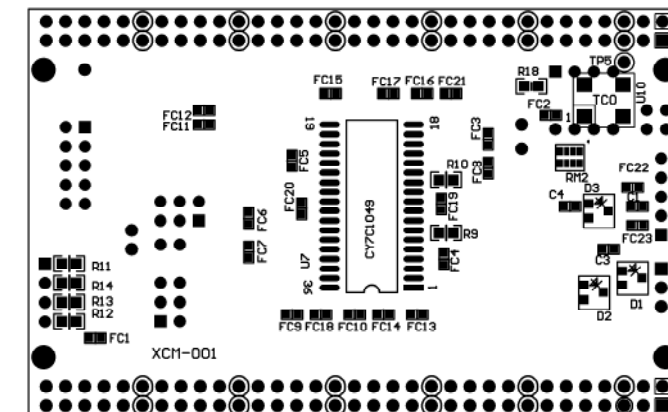
Component Side



INTERNAL PLANE1



BOTTOM LAYER



Solder Side

<b>HUMAN DATA</b>		UNIT	TITLE	
CHK	DWG		XCM-001H PCB drawing	
		SIZE	DWG NO	REV
			PCB-XCM-001H	A

HDL  
14. Jul. 09  
ISSUED