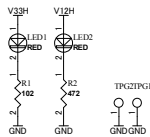
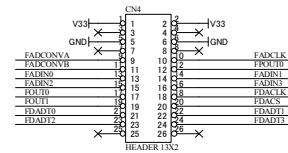
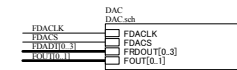
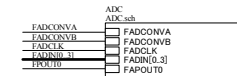


CNH	Pin	Signal
V33	1	V33H
V33	2	V33H
V33	3	V33H
V33	4	V33H
V33	5	V33H
GND	6	GND
GND	7	GND
GND	8	GND
CNH	41	GND
CNH	43	GND
CNH	47	GND
CNH	49	GND
CNH	51	GND
CNH	53	GND
CNH	55	GND
CNH	59	GND
CNH	61	GND
CNH	67	GND
CNH	69	GND
CNH	71	GND
CNH	73	GND
CNH	75	GND
CNH	77	GND
CNH	79	GND
CNH	81	GND
CNH	83	GND
CNH	85	GND
CNH	87	GND
CNH	89	GND
CNH	91	GND
CNH	93	GND
CNH	95	GND
CNH	97	GND
CNH	99	GND
CNH	101	GND
CNH	103	GND
CNH	105	GND
CNH	107	GND
CNH	109	GND
CNH	111	GND
CNH	113	GND
CNH	115	GND
CNH	117	GND
CNH	119	GND
CNH	121	GND
CNH	123	GND
CNH	125	GND
CNH	127	GND
CNH	129	GND
CNH	131	GND
CNH	133	GND
CNH	135	GND
CNH	137	GND
CNH	139	GND
CNH	141	GND
CNH	143	GND
CNH	145	GND
CNH	147	GND
CNH	149	GND
CNH	151	GND
CNH	153	GND
CNH	155	GND
CNH	157	GND
CNH	159	GND



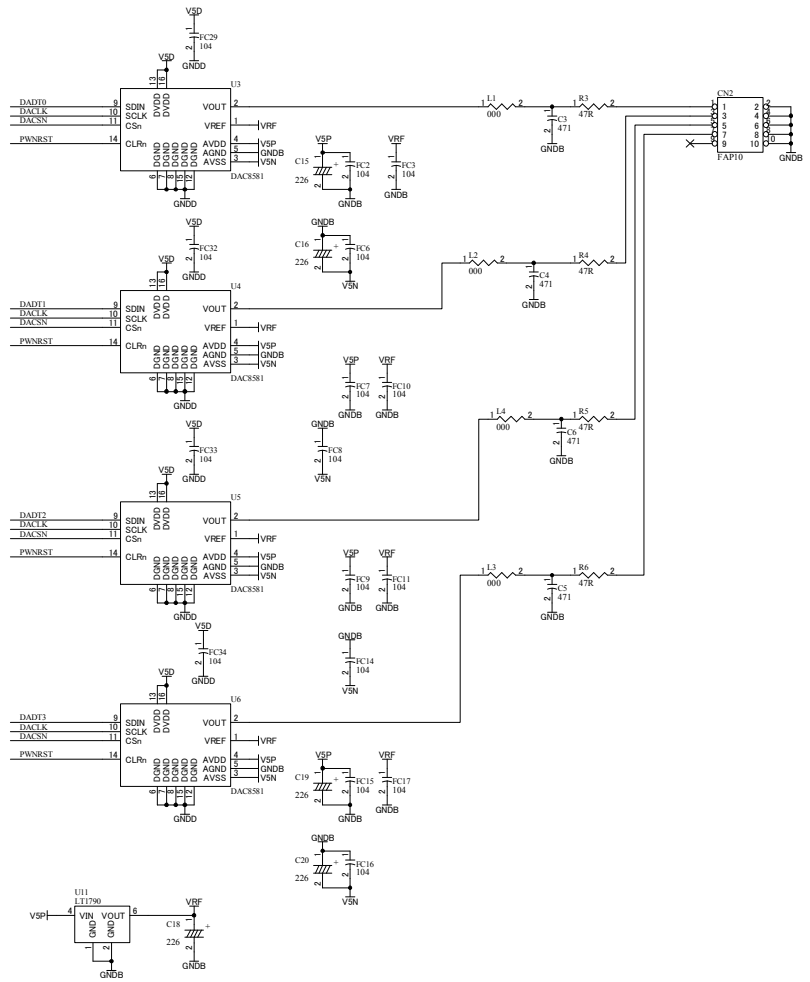
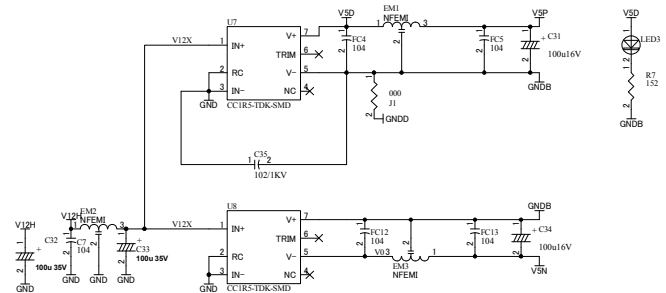
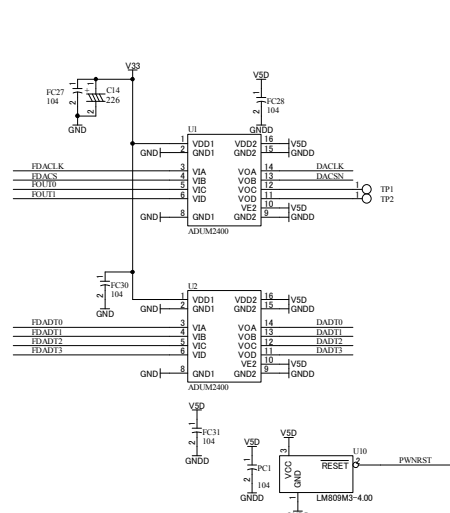
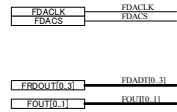
CNH	Pin	Signal
CNH	1	TXn7
CNH	2	RXn7
GND	3	GND
GND	4	GND
GND	5	GND
GND	6	GND
GND	7	GND
GND	8	GND
GND	9	GND
GND	10	GND
GND	11	GND
GND	12	GND
GND	13	GND
GND	14	GND
GND	15	GND
GND	16	GND
GND	17	GND
GND	18	GND
GND	19	GND
GND	20	GND
GND	21	GND
GND	22	GND
GND	23	GND
GND	24	GND
GND	25	GND
GND	26	GND
GND	27	GND
GND	28	GND
GND	29	GND
GND	30	GND
GND	31	GND
GND	32	GND
GND	33	GND
GND	34	GND
GND	35	GND
GND	36	GND
GND	37	GND
GND	38	GND
GND	39	GND
GND	40	GND
CNH	41	FADC0NVA
CNH	42	FADC0NVA
CNH	43	FADC0NVA
CNH	44	FADC0NVA
CNH	45	FADC0NVA
CNH	46	FADC0NVA
CNH	47	FADC0NVA
CNH	48	FADC0NVA
CNH	49	FADC0NVA
CNH	50	FADC0NVA
CNH	51	FADC0NVA
CNH	52	FADC0NVA
CNH	53	FADC0NVA
CNH	54	FADC0NVA
CNH	55	FADC0NVA
CNH	56	FADC0NVA
CNH	57	FADC0NVA
CNH	58	FADC0NVA
CNH	59	FADC0NVA
CNH	60	FADC0NVA
CNH	61	FADC0NVA
CNH	62	FADC0NVA
CNH	63	FADC0NVA
CNH	64	FADC0NVA
CNH	65	FADC0NVA
CNH	66	FADC0NVA
CNH	67	FADC0NVA
CNH	68	FADC0NVA
CNH	69	FADC0NVA
CNH	70	FADC0NVA
CNH	71	FADC0NVA
CNH	72	FADC0NVA
CNH	73	FADC0NVA
CNH	74	FADC0NVA
CNH	75	FADC0NVA
CNH	76	FADC0NVA
CNH	77	FADC0NVA
CNH	78	FADC0NVA
CNH	79	FADC0NVA
CNH	80	FADC0NVA
CNH	81	FADC0NVA
CNH	82	FADC0NVA
CNH	83	FADC0NVA
CNH	84	FADC0NVA
CNH	85	FADC0NVA
CNH	86	FADC0NVA
CNH	87	FADC0NVA
CNH	88	FADC0NVA
CNH	89	FADC0NVA
CNH	90	FADC0NVA
CNH	91	FADC0NVA
CNH	92	FADC0NVA
CNH	93	FADC0NVA
CNH	94	FADC0NVA
CNH	95	FADC0NVA
CNH	96	FADC0NVA
CNH	97	FADC0NVA
CNH	98	FADC0NVA
CNH	99	FADC0NVA
CNH	100	FADC0NVA
CNH	101	FADC0NVA
CNH	102	FADC0NVA
CNH	103	FADC0NVA
CNH	104	FADC0NVA
CNH	105	FADC0NVA
CNH	106	FADC0NVA
CNH	107	FADC0NVA
CNH	108	FADC0NVA
CNH	109	FADC0NVA
CNH	110	FADC0NVA
CNH	111	FADC0NVA
CNH	112	FADC0NVA
CNH	113	FADC0NVA
CNH	114	FADC0NVA
CNH	115	FADC0NVA
CNH	116	FADC0NVA
CNH	117	FADC0NVA
CNH	118	FADC0NVA
CNH	119	FADC0NVA
CNH	120	FADC0NVA
CNH	121	FADC0NVA
CNH	122	FADC0NVA
CNH	123	FADC0NVA
CNH	124	FADC0NVA
CNH	125	FADC0NVA
CNH	126	FADC0NVA
CNH	127	FADC0NVA
CNH	128	FADC0NVA
CNH	129	FADC0NVA
CNH	130	FADC0NVA
CNH	131	FADC0NVA
CNH	132	FADC0NVA
CNH	133	FADC0NVA
CNH	134	FADC0NVA
CNH	135	FADC0NVA
CNH	136	FADC0NVA
CNH	137	FADC0NVA
CNH	138	FADC0NVA
CNH	139	FADC0NVA
CNH	140	FADC0NVA
CNH	141	FADC0NVA
CNH	142	FADC0NVA
CNH	143	FADC0NVA
CNH	144	FADC0NVA
CNH	145	FADC0NVA
CNH	146	FADC0NVA
CNH	147	FADC0NVA
CNH	148	FADC0NVA
CNH	149	FADC0NVA
CNH	150	FADC0NVA
CNH	151	FADC0NVA
CNH	152	FADC0NVA
CNH	153	FADC0NVA
CNH	154	FADC0NVA
CNH	155	FADC0NVA
CNH	156	FADC0NVA
CNH	157	FADC0NVA
CNH	158	FADC0NVA
CNH	159	FADC0NVA
CNH	160	FADC0NVA
CNH	161	FADC0NVA
CNH	162	FADC0NVA
CNH	163	FADC0NVA
CNH	164	FADC0NVA
CNH	165	FADC0NVA
CNH	166	FADC0NVA
CNH	167	FADC0NVA
CNH	168	FADC0NVA
CNH	169	FADC0NVA
CNH	170	FADC0NVA
CNH	171	FADC0NVA
CNH	172	FADC0NVA
CNH	173	FADC0NVA
CNH	174	FADC0NVA
CNH	175	FADC0NVA
CNH	176	FADC0NVA
CNH	177	FADC0NVA
CNH	178	FADC0NVA
CNH	179	FADC0NVA
CNH	180	FADC0NVA
CNH	181	FADC0NVA
CNH	182	FADC0NVA
CNH	183	FADC0NVA
CNH	184	FADC0NVA
CNH	185	FADC0NVA
CNH	186	FADC0NVA
CNH	187	FADC0NVA
CNH	188	FADC0NVA
CNH	189	FADC0NVA
CNH	190	FADC0NVA
CNH	191	FADC0NVA
CNH	192	FADC0NVA
CNH	193	FADC0NVA
CNH	194	FADC0NVA
CNH	195	FADC0NVA
CNH	196	FADC0NVA
CNH	197	FADC0NVA
CNH	198	FADC0NVA
CNH	199	FADC0NVA
CNH	200	FADC0NVA



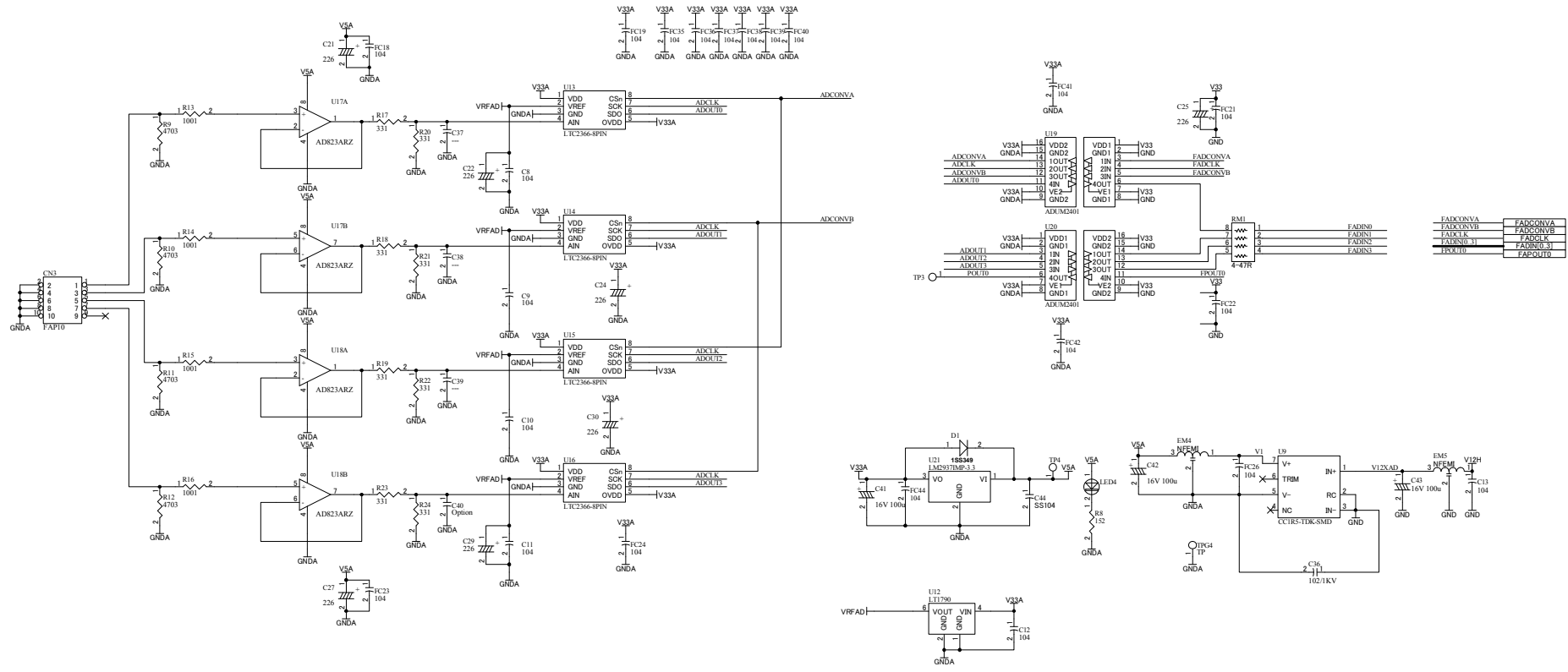
HuMANDATA LTD.  
OSAKA JAPAN  
www.hdl.co.jp/en/(Global)  
www.hdl.co.jp/(Japan)


Isolated 4-Channel AD/DA Board with HSMC Connector

Date:	21-Feb-2012	10:47:39	File:	UTL103B1.sch	Sheet	1	of	3
DOC. No.	UTL-103				B4			



		Isolated 4-Channel AD/DA Board with HSMC Connector	
Date:	21-Feb-2012	10:47:39	File: DAC.sch
		Sheet	2 of 3



		Isolated 4-Channel AD/DA Board with HSMC Connector	
HuMANDATA LTD. OSAKA JAPAN <a href="http://www.hdl.co.jp/en/(Global)">www.hdl.co.jp/en/(Global)</a> <a href="http://www.hdl.co.jp/(Japan)">www.hdl.co.jp/(Japan)</a>		DOC. No.	UTL-103
Date:	21-Feb-2012	10:47:40	File: ADC.sch
		Sheet	3 of 3