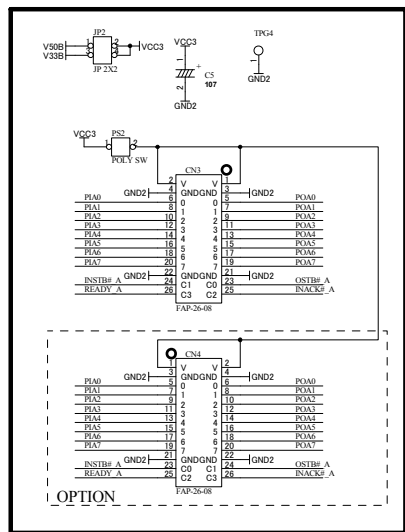
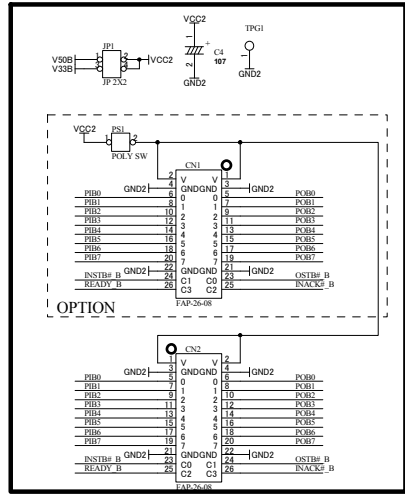


Group-B(VCC2)

Group-A(VCC3)



Group-B(VCC2)

Group-A(VCC3)

UTL102R2-SCH-C.pdf

**HUMAN DATA**  
 HuMANDATA LTD.  
 OSAKA JAPAN  
[www.hdl.co.jp/en/](http://www.hdl.co.jp/en/) (Global)  
[www.hdl.co.jp/](http://www.hdl.co.jp/) (Japan)

2010/04/12  
 Date: 9-Apr-2010 18:17:50

High-Speed Isolated GPIO Board with HSMC Connector

DOC. No.	UTL-102	C
File:	UTL102C.sch	Sheet 1 of 1