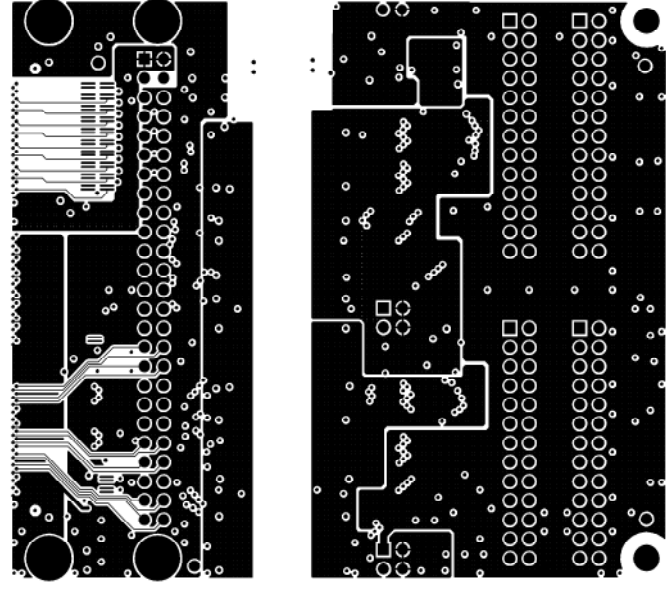
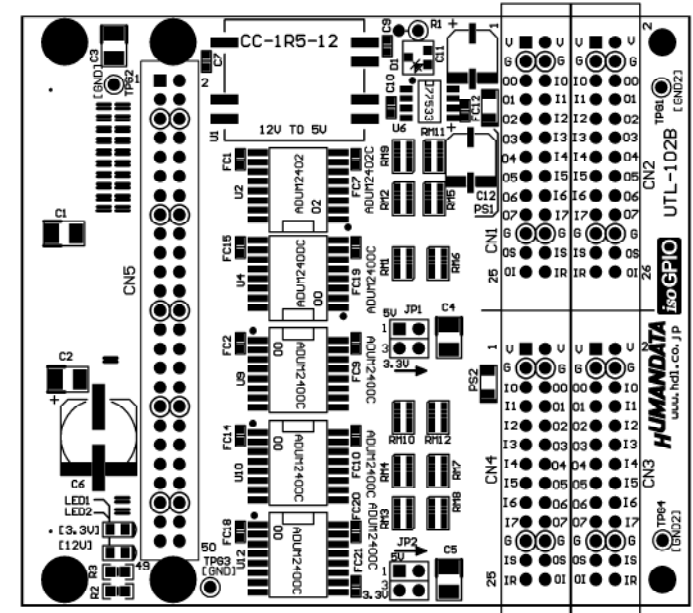


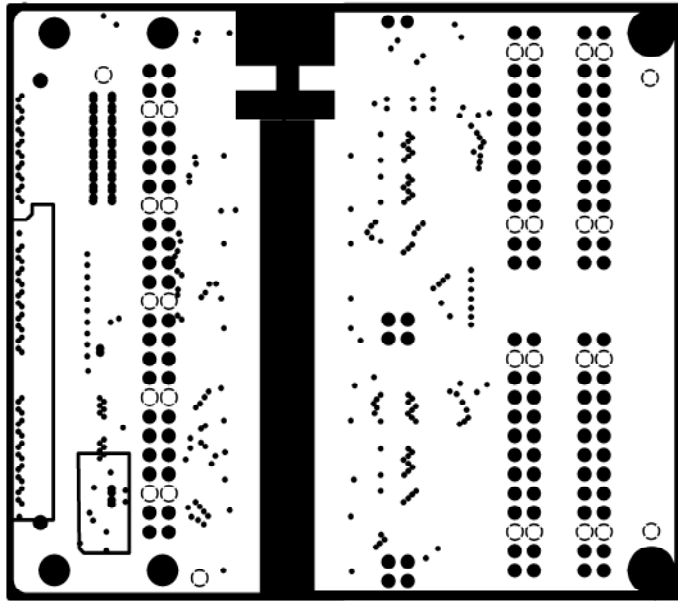
TOP LAYER



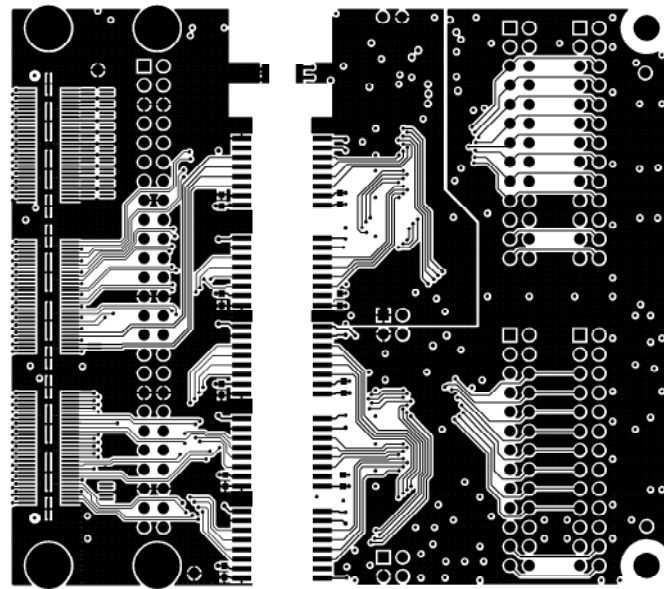
MID LAYER



Component Side



INTERNAL PLANE1



BOTTOM LAYER

HUMANDATA		UNIT	TITLE	
CHK	DWG		UTL-102B PCB drawing	
		SCALE	DWG NO. PCB-UTL-102B	REV A