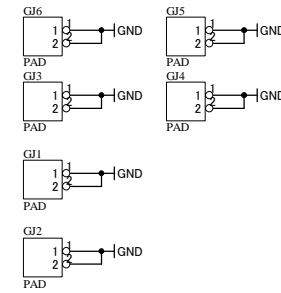
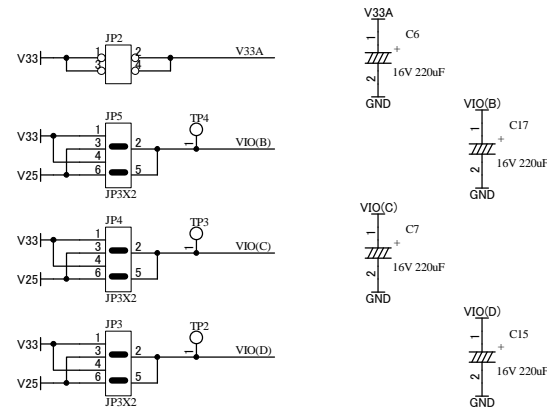
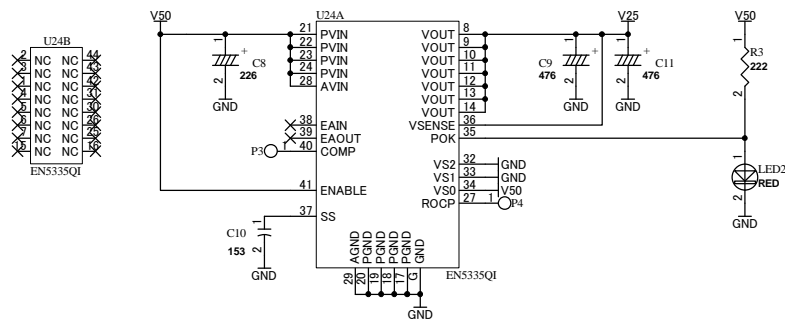
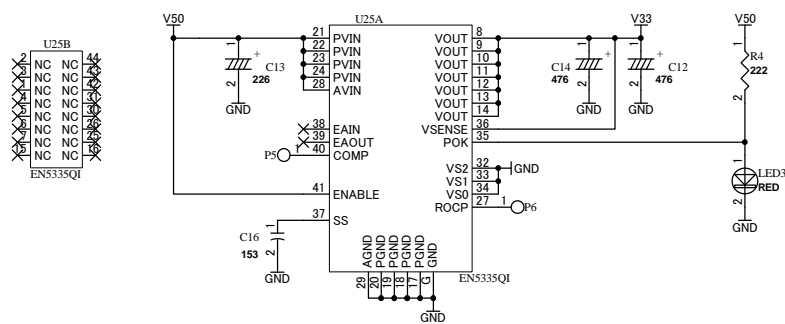
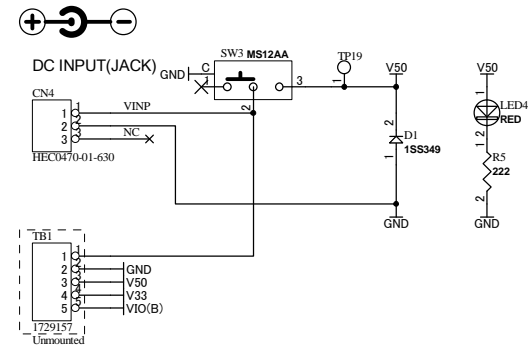
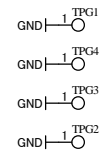
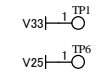
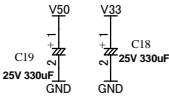


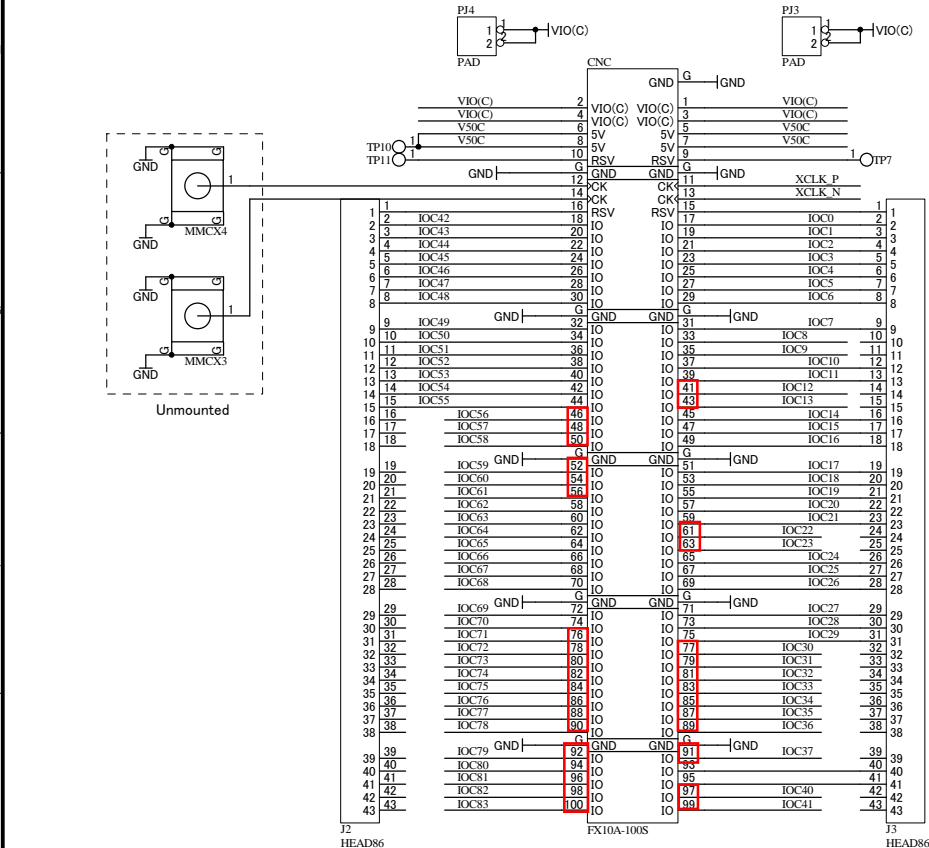
VIO(D) | VIO(D)  
 VIO(C) | VIO(C)  
 VIO(B) | VIO(B)  
 V33A | V33A  
 GND | GND  
 V50 | V50



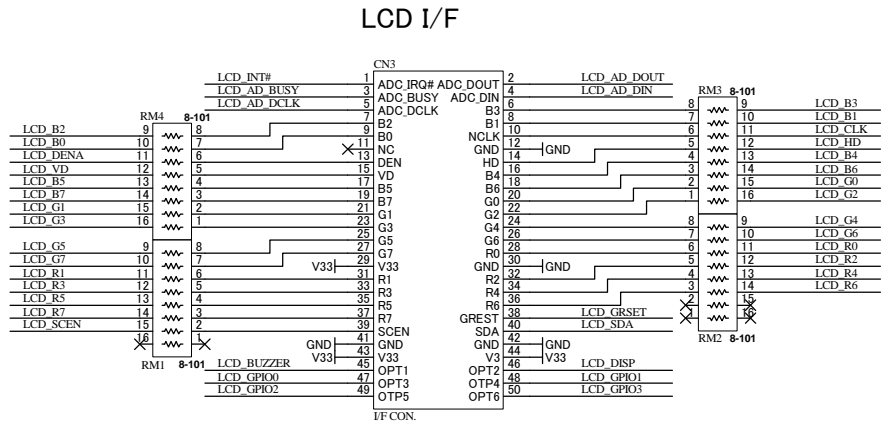
UTL023-1  
 UTL023-1.sch

		CameraLink I/O Board		<b>B</b>	
					HuMANDATA LTD. OSAKA JAPAN <a href="http://www.hdl.co.jp/en/">www.hdl.co.jp/en/</a> (Global) <a href="http://www.hdl.co.jp/">www.hdl.co.jp/</a> (Japan)
Date: 31-May-2013 09:16:11	File: UTL023B.sch	Sheet 1 of 3			

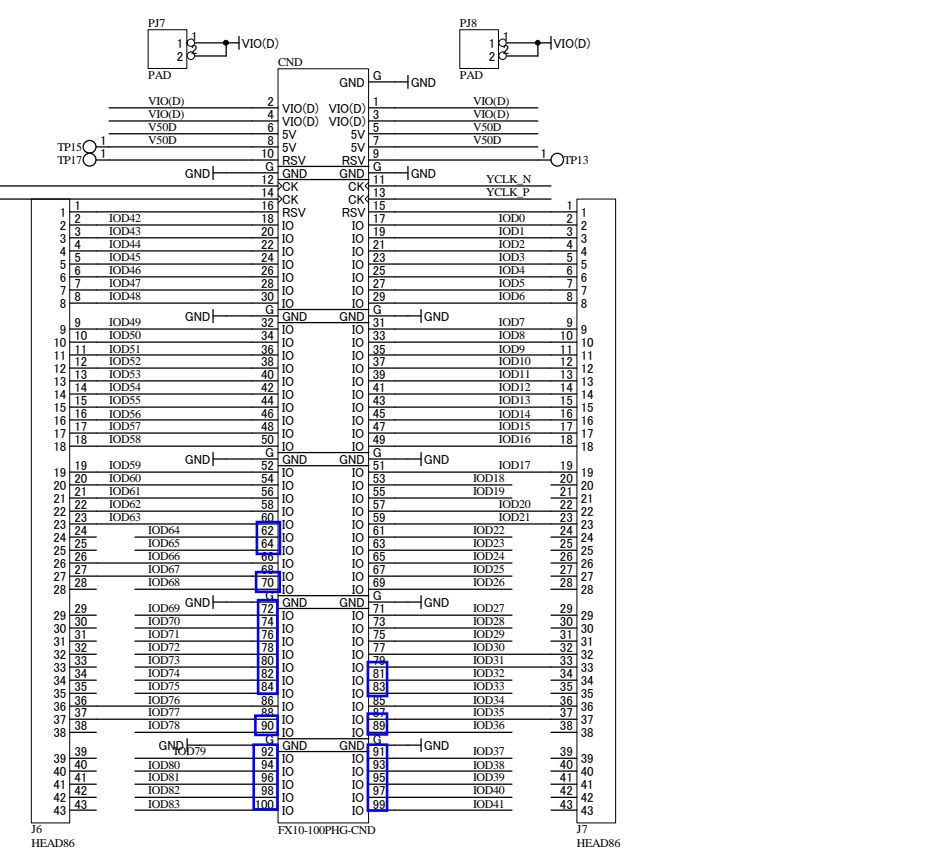
VIO(D)  
VIO(C)  
VIO(B)  
VIO(A)  
V33A



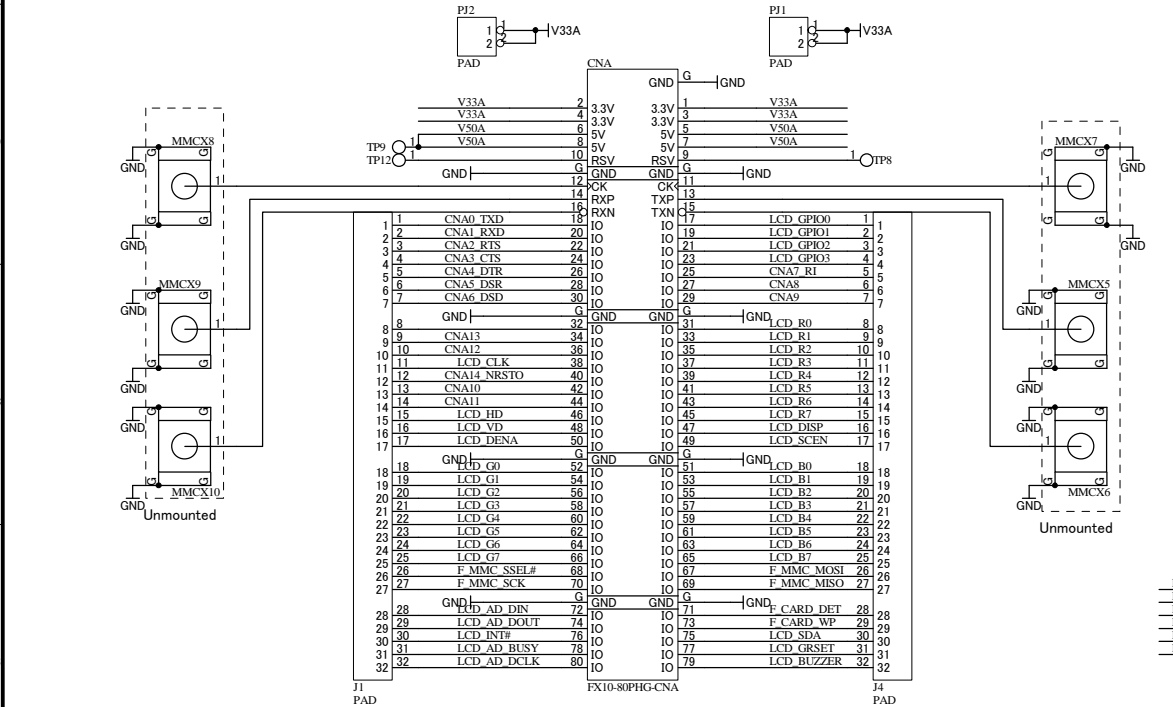
LVDS OUT



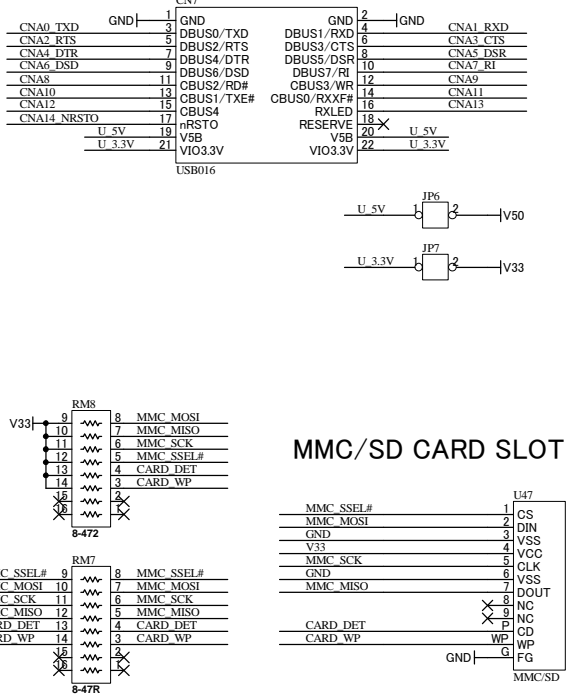
LCD I/F



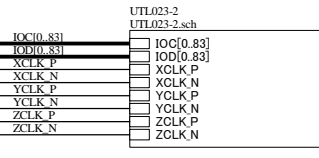
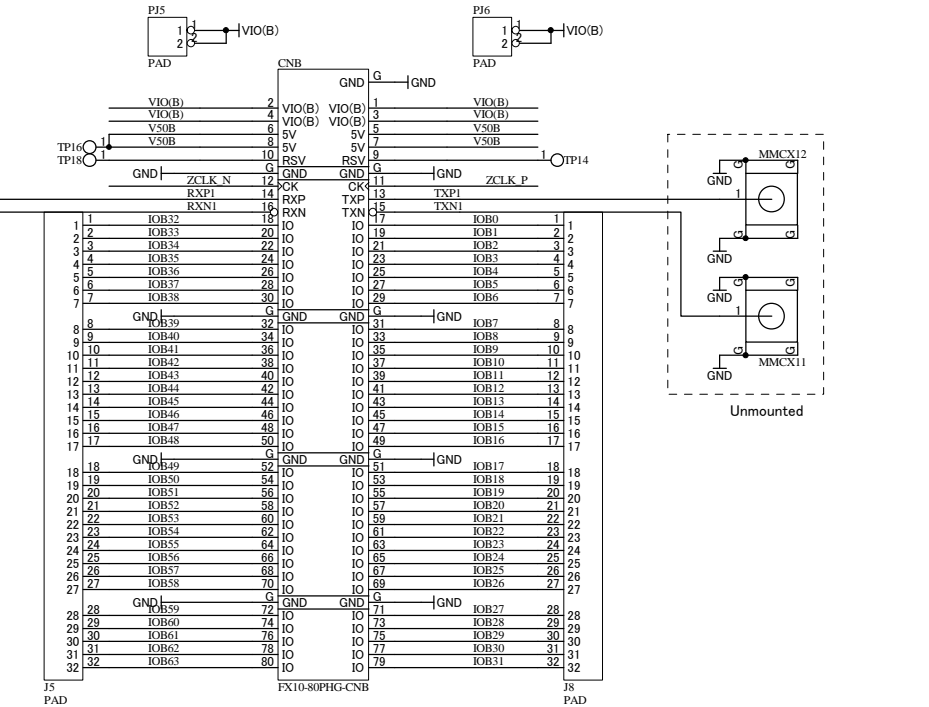
LVDS IN



USB/Serial I/F



MMC/SD CARD SLOT



**HUMAN DATA**

HuMANDATA LTD.  
OSAKA JAPAN  
www.hdl.co.jp/en/(Global)  
www.hdl.co.jp/(Japan)

CameraLink I/O Board

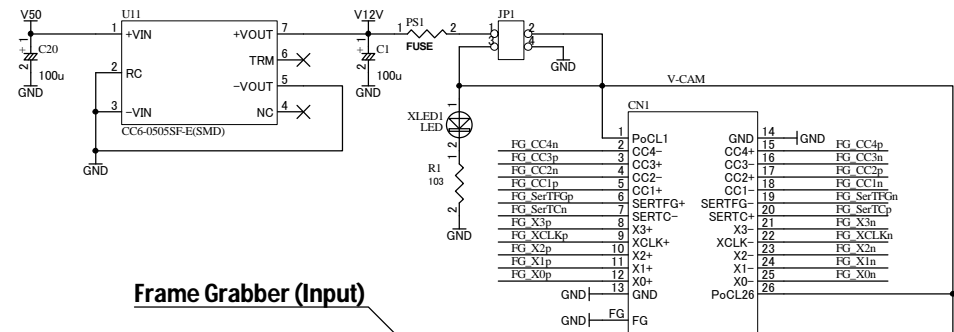
DOC. No. UTL-023

Date: 31-May-2013 09:16:12

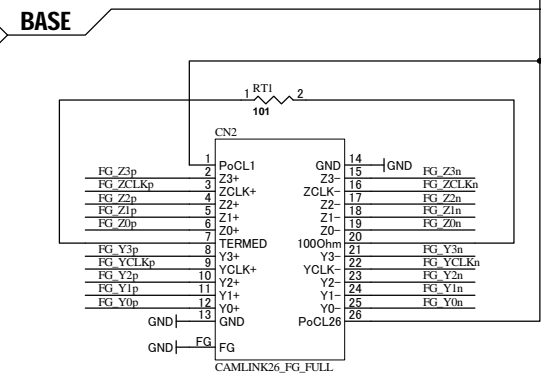
File: UTL023-1.sch

Sheet 2 of 3

B

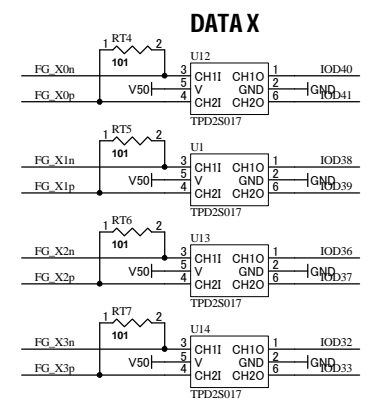


Frame Grabber (Input)

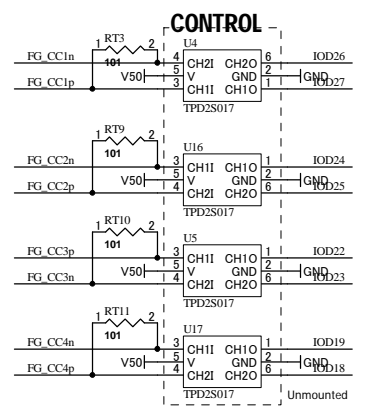


BASE

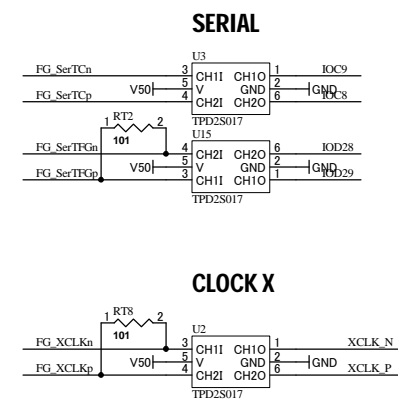
MEDIUM/FULL



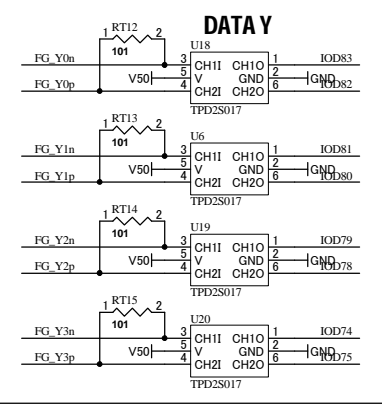
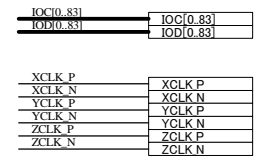
DATA X



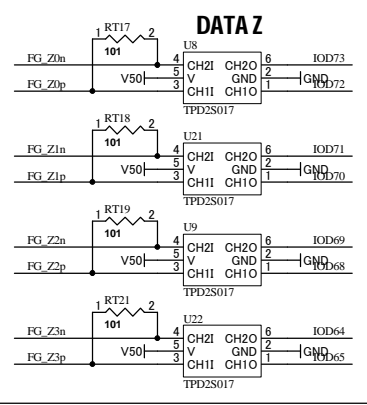
CONTROL



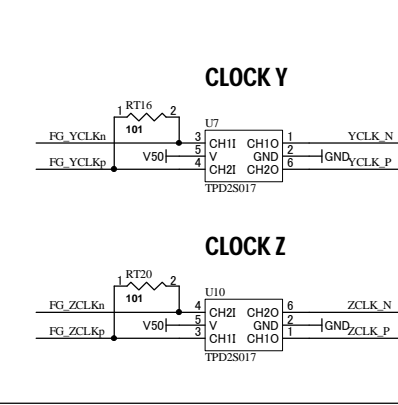
SERIAL



DATA Y



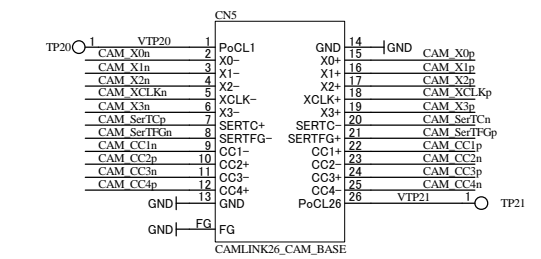
DATA Z



CLOCK X

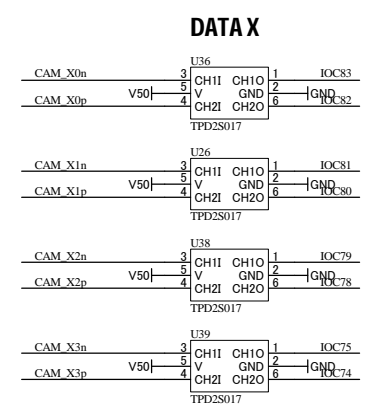
CLOCK Z

Camera (Output)

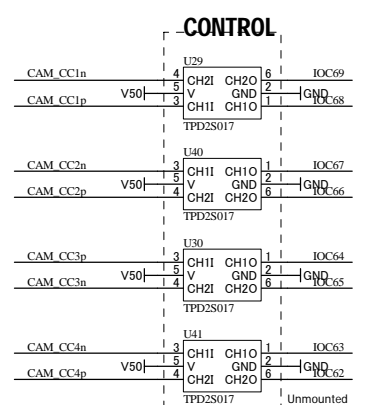


BASE

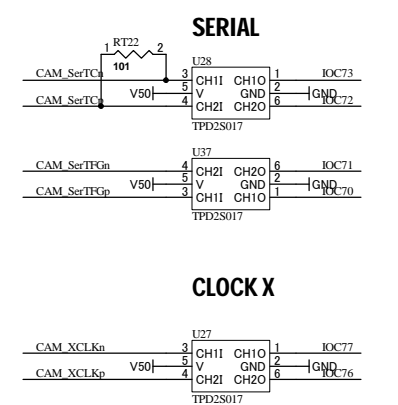
MEDIUM/FULL



DATA X

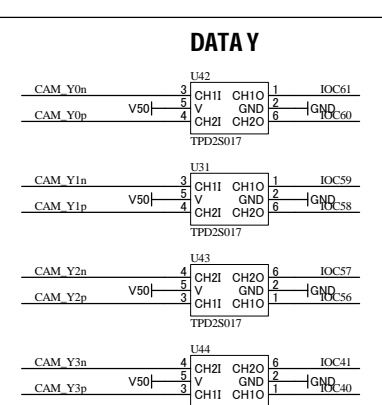


CONTROL

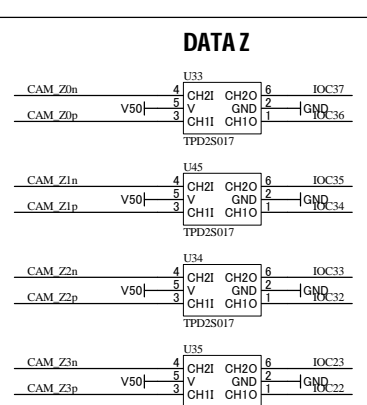


SERIAL

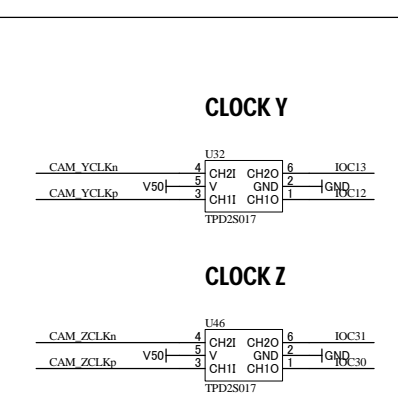
CLOCK X



DATA Y



DATA Z



CLOCK Y

CLOCK Z



HUMAN DATA LTD.  
OSAKA JAPAN  
www.hdl.co.jp/en/(Global)  
www.hdl.co.jp/(Japan)

CameraLink I/O Board

DOC. No. UTL-023

Date: 31-May-2013 09:16:12

File: UTL023-2.sch

Sheet 3 of 3

B