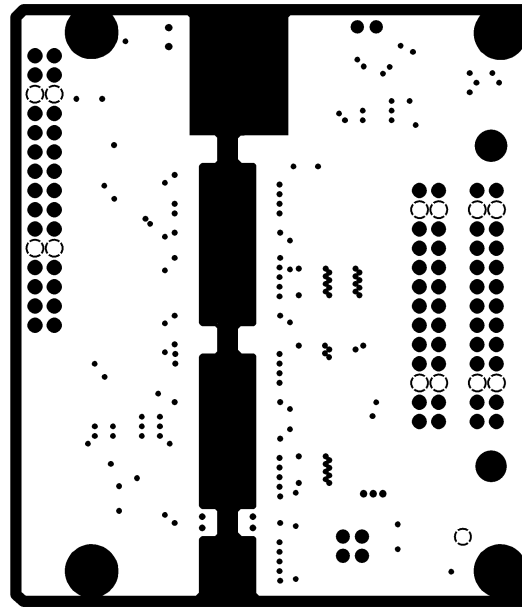
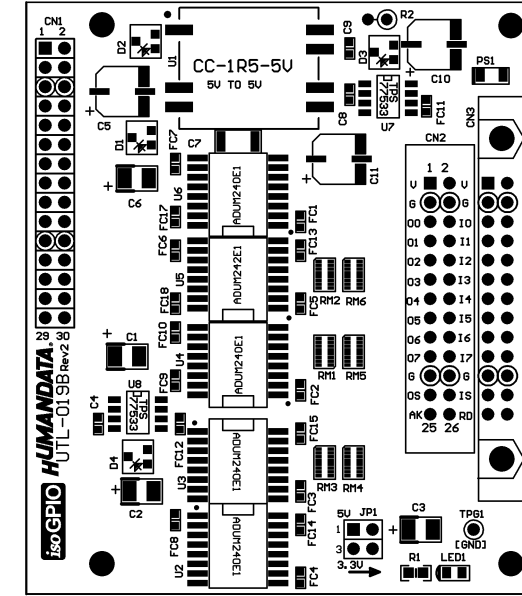


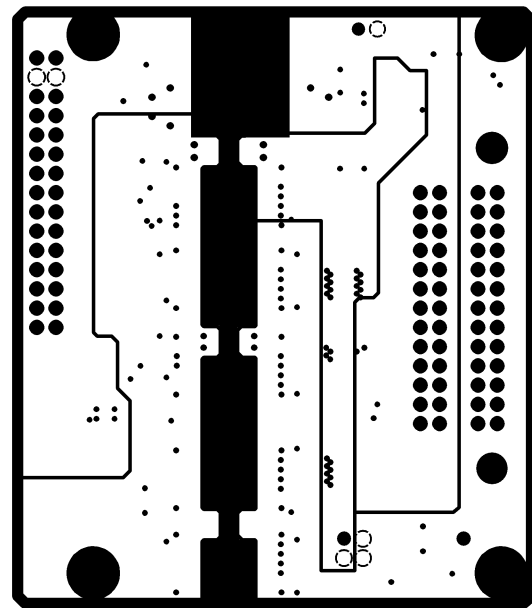
TOP LAYER



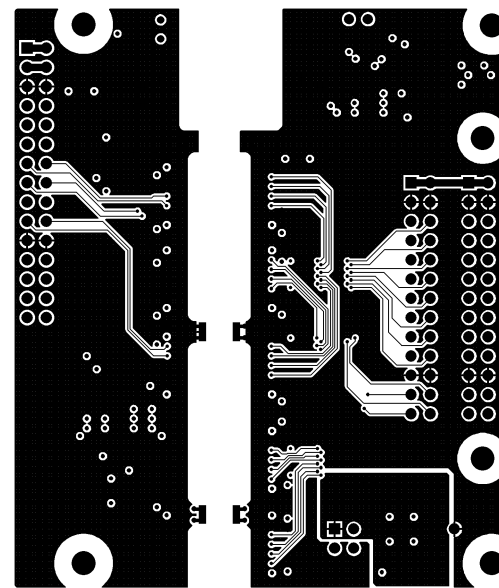
INTERNAL PLANE2



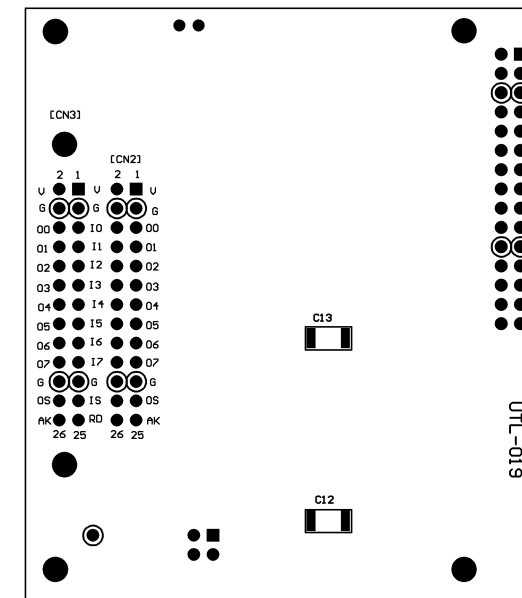
Component Side



INTERNAL PLANE1(GND)



BOTTOM LAYER



Solder Side

PCB Version : B

HUMANDATA		UNIT	TITLE	
CHK	DWG		UTL-019B PCB drawing	
		SIZE	DWG NO	REV
		1/1	PCB-UTL-019	A

