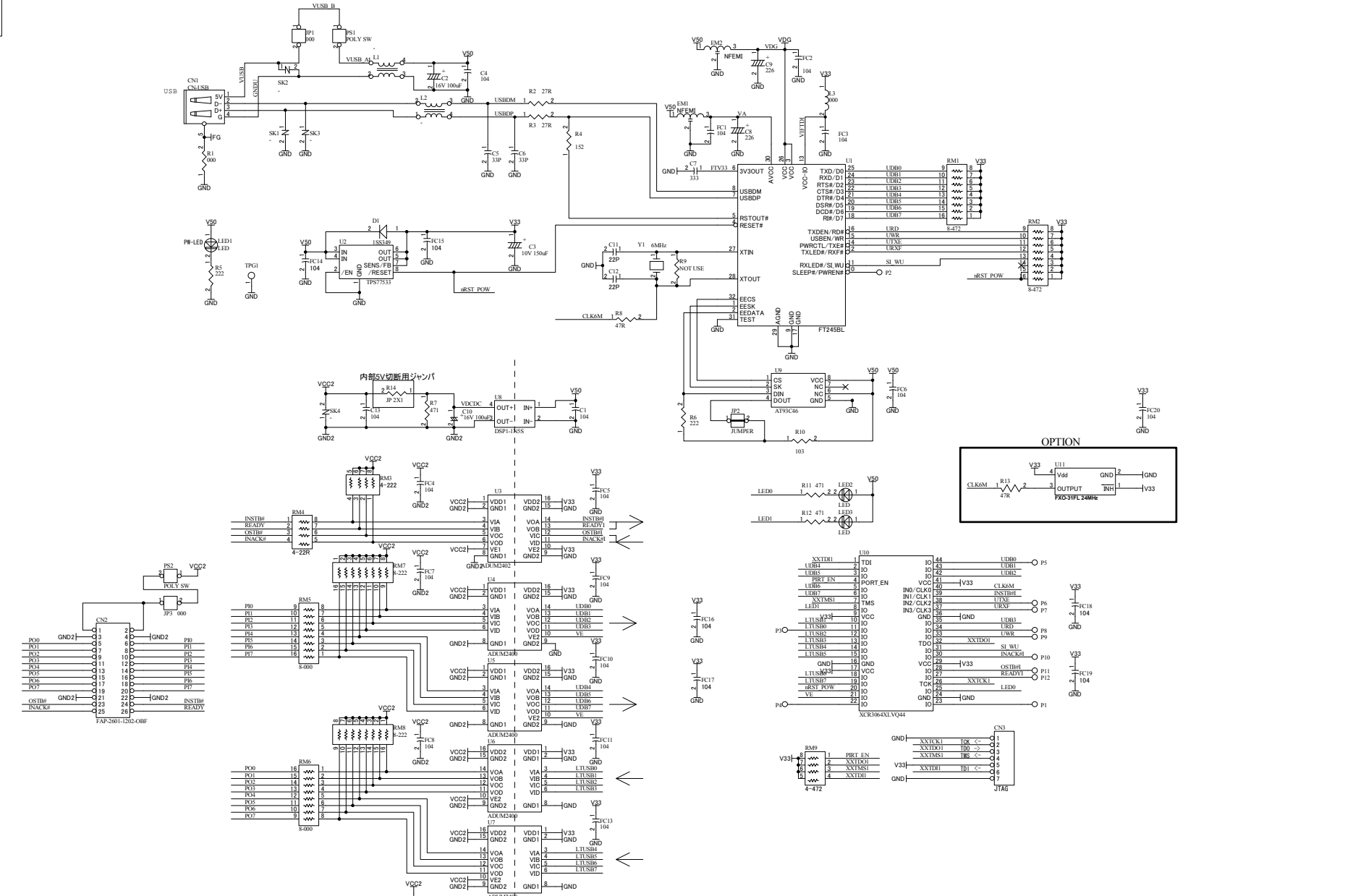


V50 V30
 V33 V33
 GND GND
 FG FG



		2008/09/04	

HuMANDATA LTD. OSAKA JAPAN www.hdl.co.jp		FTDI SIMPLE I/O MODULE	
Date: 4-Sep-2008 17:37:46		DOC. No.	USB-026
File: USB026B.sch		Sheet 1 of 1	