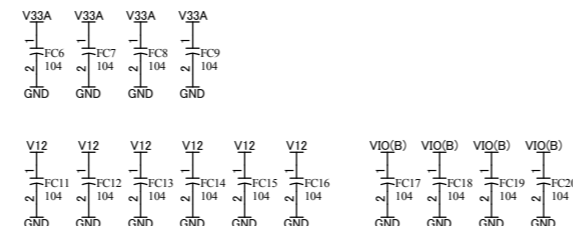
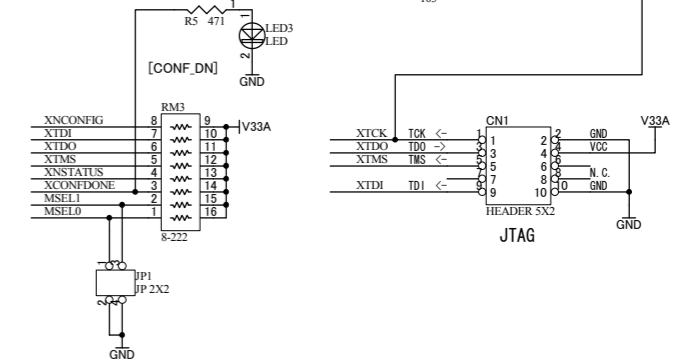
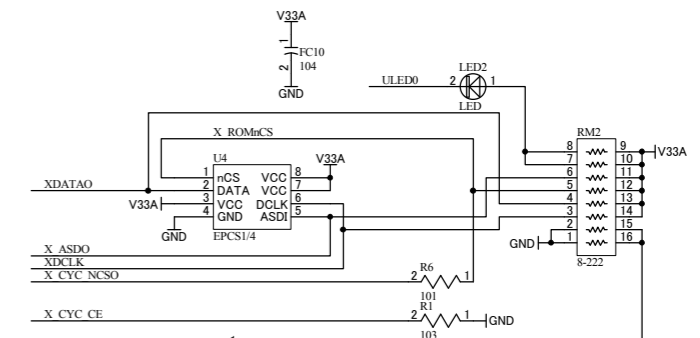


Pin	Signal	Pin	Signal
1	X ASDO	144	IOB0
2	X CYC NCSO	143	IOB1
3	IOA0	142	IOB2
4	IOA1	141	IOB3
5	VCCIO1	140	IOB4
6	GND	139	IOB5
7	IOA2	138	IOB6
8	IOA3	137	IOB7
9	XTDO	136	IOB8
10	XTMS	135	IOB9
11	XTCK	134	IOB10
12	XTDI	133	IOB11
13	XDATA0	132	IOB12
14	XDATA1	131	IOB13
15	XDATA2	130	IOB14
16	XDATA3	129	IOB15
17	XDATA4	128	IOB16
18	XDATA5	127	IOB17
19	XDATA6	126	IOB18
20	XDATA7	125	IOB19
21	XDATA8	124	IOB20
22	XDATA9	123	IOB21
23	XDATA10	122	IOB22
24	XDATA11	121	IOB23
25	XDATA12	120	IOB24
26	XDATA13	119	IOB25
27	XDATA14	118	IOB26
28	XDATA15	117	IOB27
29	XDATA16	116	IOB28
30	XDATA17	115	IOB29
31	XDATA18	114	IOB30
32	XDATA19	113	IOB31
33	XDATA20	112	IOB32
34	XDATA21	111	IOB33
35	XDATA22	110	IOB34
36	XDATA23	109	IOB35
37	XDATA24	108	IOB36
38	XDATA25	107	IOB37
39	XDATA26	106	IOB38
40	XDATA27	105	IOB39
41	XDATA28	104	IOB40
42	XDATA29	103	IOB41
43	XDATA30	102	IOB42
44	XDATA31	101	IOB43
45	XDATA32	100	IOB44
46	XDATA33	99	IOB45
47	XDATA34	98	IOB46
48	XDATA35	97	IOB47
49	XDATA36	96	IOB48
50	XDATA37	95	IOB49
51	XDATA38	94	IOB50
52	XDATA39	93	IOB51
53	XDATA40	92	IOB52
54	XDATA41	91	IOB53
55	XDATA42	90	IOB54
56	XDATA43	89	IOB55
57	XDATA44	88	IOB56
58	XDATA45	87	IOB57
59	XDATA46	86	IOB58
60	XDATA47	85	IOB59
61	XDATA48	84	IOB60
62	XDATA49	83	IOB61
63	XDATA50	82	IOB62
64	XDATA51	81	IOB63
65	XDATA52	80	IOB64
66	XDATA53	79	IOB65
67	XDATA54	78	IOB66
68	XDATA55	77	IOB67
69	XDATA56	76	IOB68
70	XDATA57	75	IOB69
71	XDATA58	74	IOB70
72	XDATA59	73	IOB71
73	XDATA60	72	IOB72
74	XDATA61	71	IOB73
75	XDATA62	70	IOB74
76	XDATA63	69	IOB75
77	XDATA64	68	IOB76
78	XDATA65	67	IOB77
79	XDATA66	66	IOB78
80	XDATA67	65	IOB79
81	XDATA68	64	IOB80
82	XDATA69	63	IOB81
83	XDATA70	62	IOB82
84	XDATA71	61	IOB83
85	XDATA72	60	IOB84
86	XDATA73	59	IOB85
87	XDATA74	58	IOB86
88	XDATA75	57	IOB87
89	XDATA76	56	IOB88
90	XDATA77	55	IOB89
91	XDATA78	54	IOB90
92	XDATA79	53	IOB91
93	XDATA80	52	IOB92
94	XDATA81	51	IOB93
95	XDATA82	50	IOB94
96	XDATA83	49	IOB95
97	XDATA84	48	IOB96
98	XDATA85	47	IOB97
99	XDATA86	46	IOB98
100	XDATA87	45	IOB99
101	XDATA88	44	IOB100
102	XDATA89	43	IOB101
103	XDATA90	42	IOB102
104	XDATA91	41	IOB103
105	XDATA92	40	IOB104
106	XDATA93	39	IOB105
107	XDATA94	38	IOB106
108	XDATA95	37	IOB107
109	XDATA96	36	IOB108
110	XDATA97	35	IOB109
111	XDATA98	34	IOB110
112	XDATA99	33	IOB111
113	XDATA100	32	IOB112
114	XDATA101	31	IOB113
115	XDATA102	30	IOB114
116	XDATA103	29	IOB115
117	XDATA104	28	IOB116
118	XDATA105	27	IOB117
119	XDATA106	26	IOB118
120	XDATA107	25	IOB119
121	XDATA108	24	IOB120
122	XDATA109	23	IOB121
123	XDATA110	22	IOB122
124	XDATA111	21	IOB123
125	XDATA112	20	IOB124
126	XDATA113	19	IOB125
127	XDATA114	18	IOB126
128	XDATA115	17	IOB127
129	XDATA116	16	IOB128
130	XDATA117	15	IOB129
131	XDATA118	14	IOB130
132	XDATA119	13	IOB131
133	XDATA120	12	IOB132
134	XDATA121	11	IOB133
135	XDATA122	10	IOB134
136	XDATA123	9	IOB135
137	XDATA124	8	IOB136
138	XDATA125	7	IOB137
139	XDATA126	6	IOB138
140	XDATA127	5	IOB139
141	XDATA128	4	IOB140
142	XDATA129	3	IOB141
143	XDATA130	2	IOB142
144	XDATA131	1	IOB143

[NOTICE]
 (*) For EP2C5, these pins are connected to power.
 Please set them as input.



HUMANDATA			
HuMANDATA LTD. OSAKA JAPAN www.hdl.co.jp/en/(Global) www.hdl.co.jp/(Japan)		Cyclone II Bread Board (TQ144)	
Date:	11-Oct-2012	11:07:25	File: ACM301B.sch
DOC. No.	ACM-301	Sheet	1 of 1
		B2	