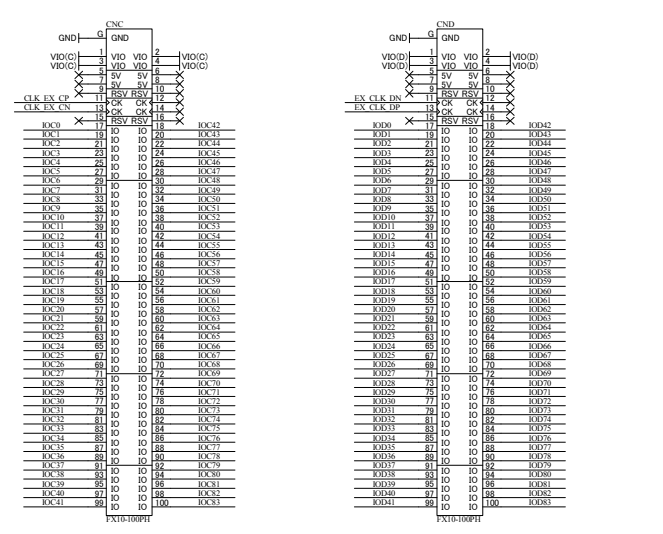
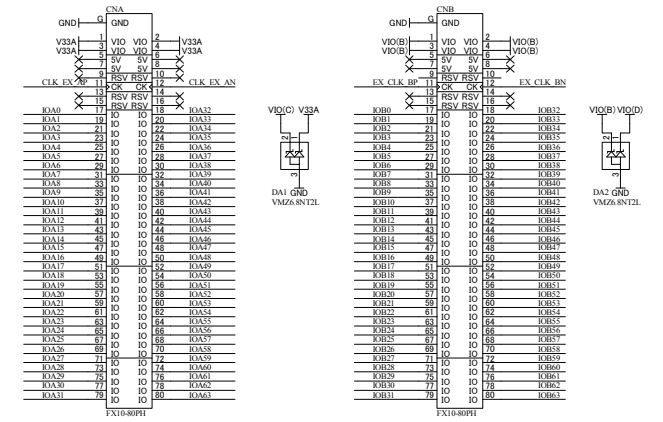
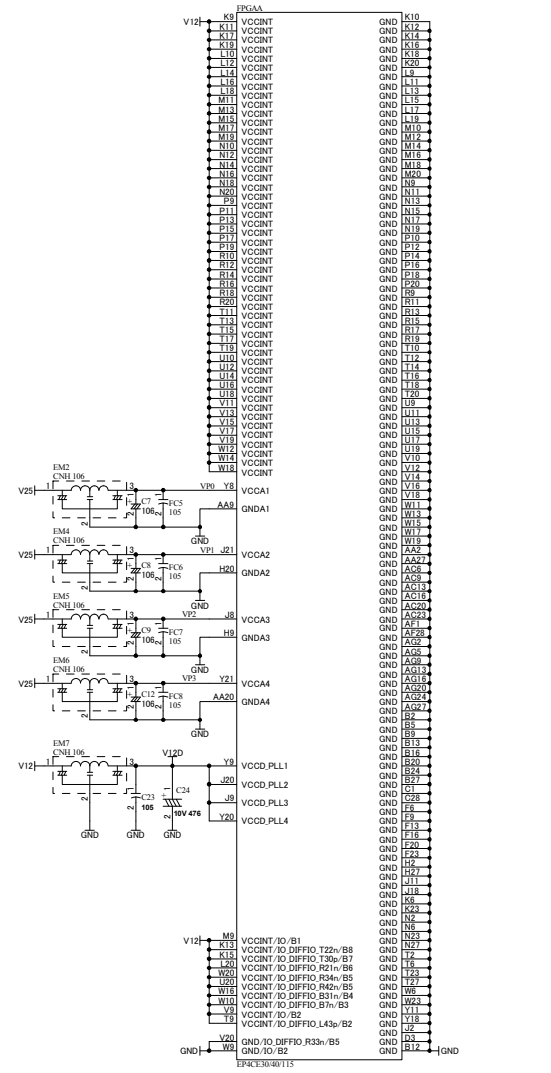
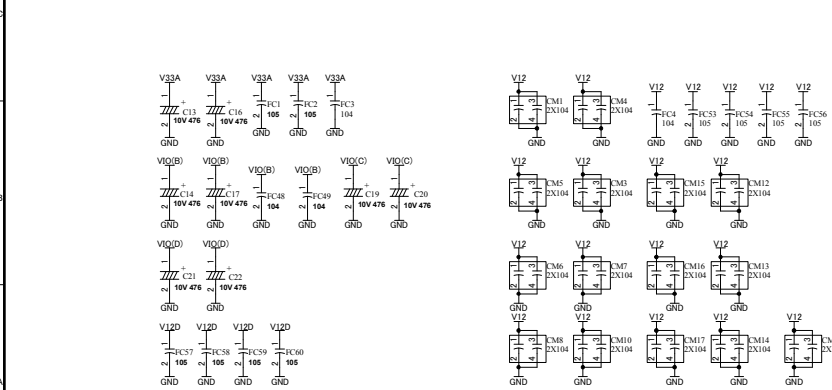
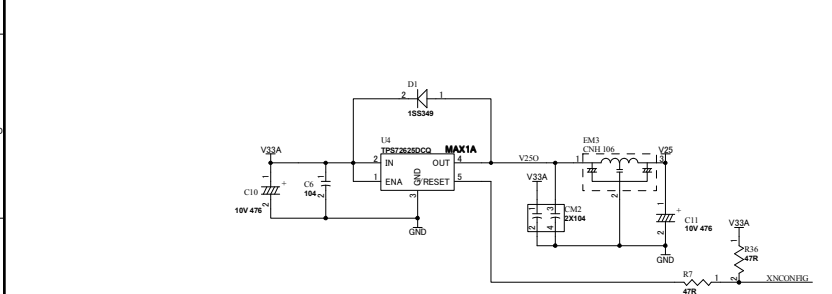
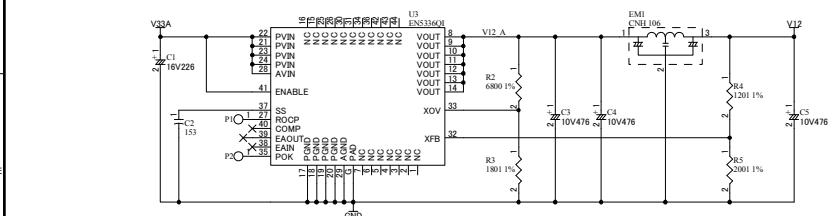
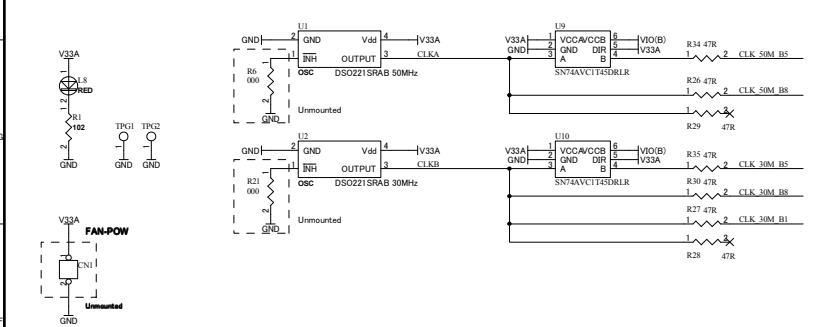


V12	V12
V25	V25
V33A	V33A
VIO(B)	VIO(B)
VIO(C)	VIO(C)
VIO(D)	VIO(D)
GND	GND

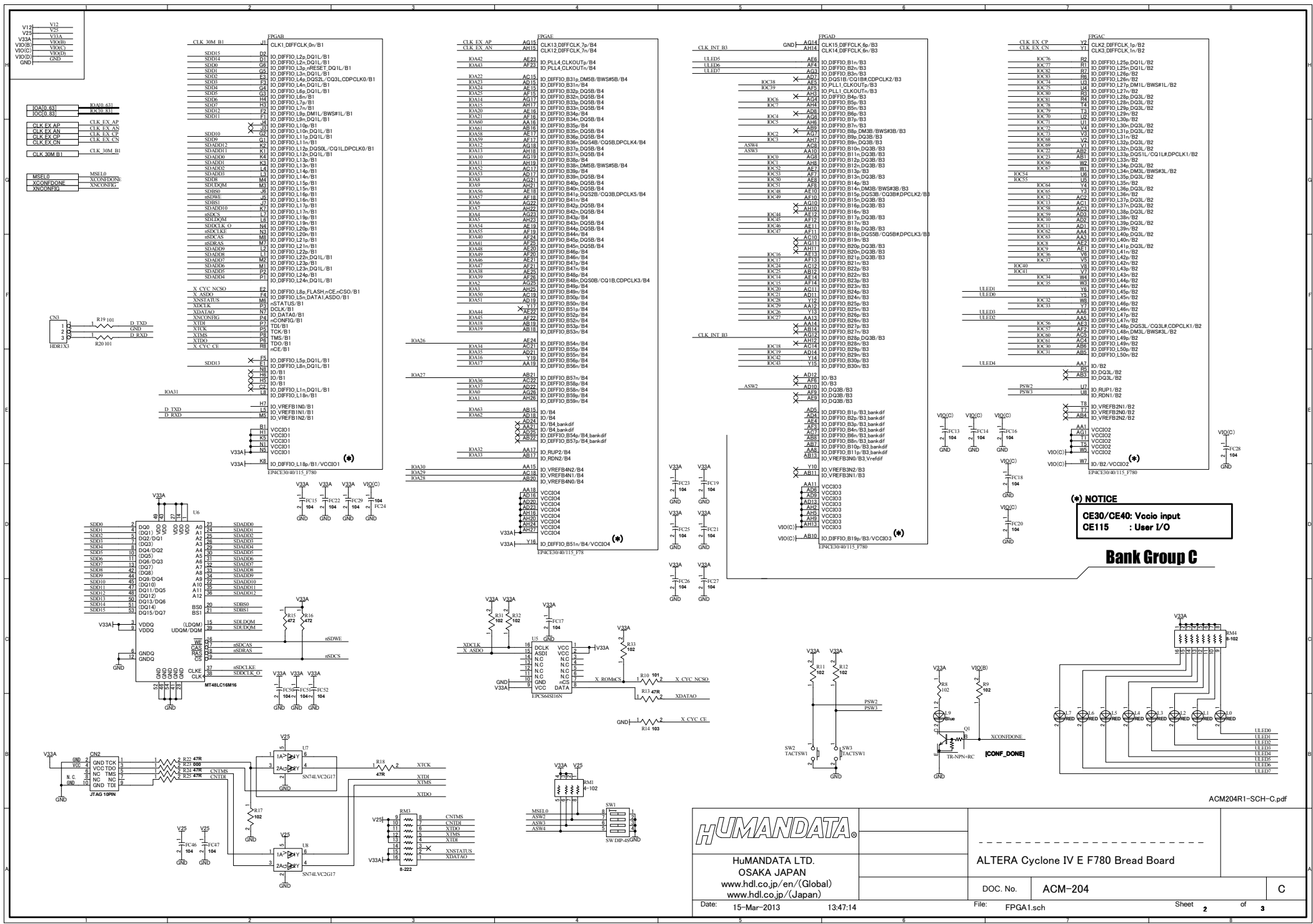


HUMAN DATA LTD.
OSAKA JAPAN
www.hdl.co.jp/en/(Global)
www.hdl.co.jp/(Japan)

ALTERA Cyclone IV E F780 Bread Board

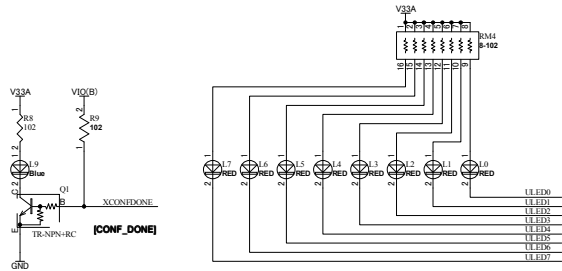
Date:	15-Mar-2013	13:47:13	File:	ACM204C.sch	Sheet	1	of	3
-------	-------------	----------	-------	-------------	-------	---	----	---

ACM204R1-SGH-C.ppt



(*) NOTICE
CE30/CE40: Vccio input
CE15 : User I/O

Bank Group C



HUMAN DATA

HuMANDATA LTD.
 OSAKA JAPAN
www.hdl.co.jp/en/ (Global)
www.hdl.co.jp/ (Japan)

ALTERA Cyclone IV E F780 Bread Board

DOC. No. ACM-204

Date: 15-Mar-2013 13:47:14

File: FPGA1.sch

Sheet 2 of 3

