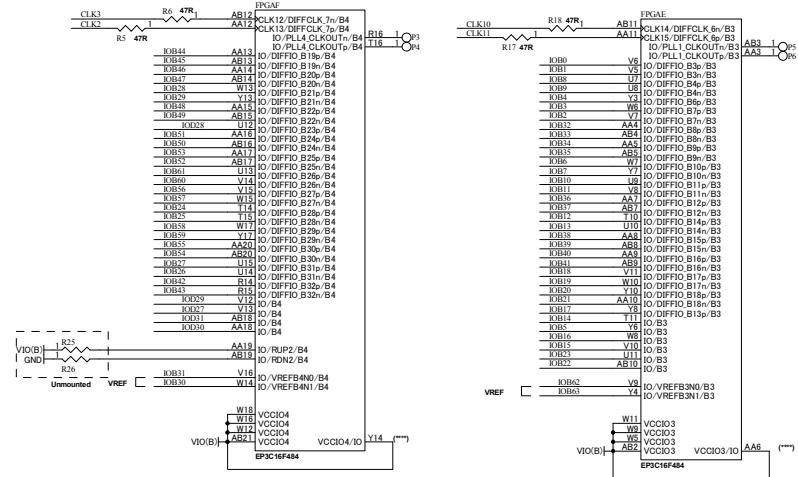


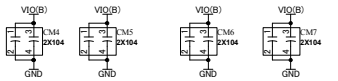




VIO(B) VIO(B)  
VIO(C) VIO(C)  
GND GND

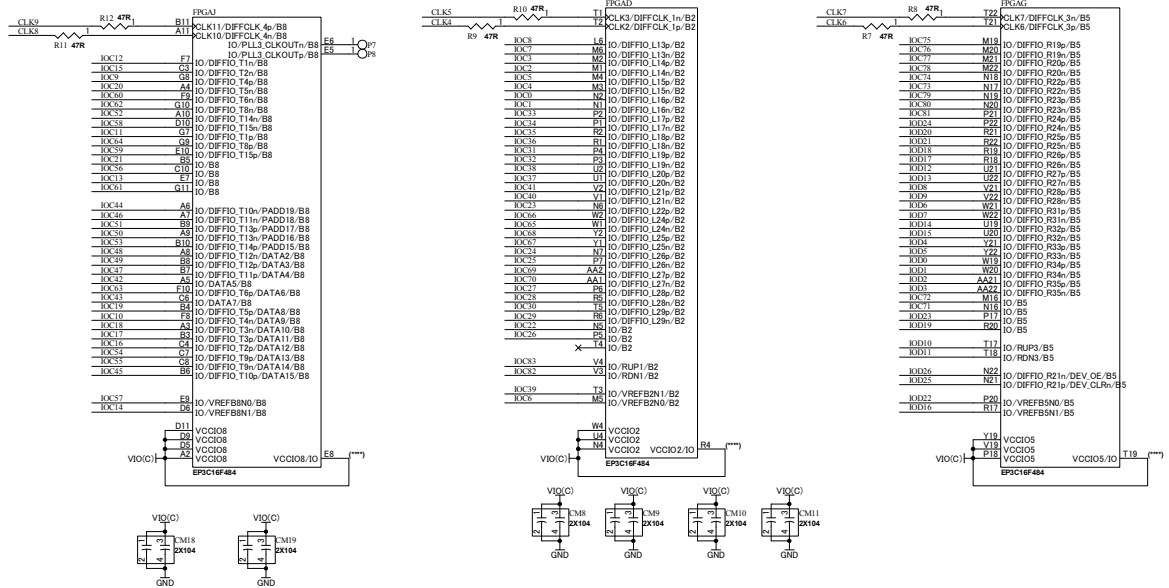


These pins are connected to VCCIO. You need to set them as INPUL.



**BANK Group-B**

**BANK Group-C**



These pins are connected to VCCIO. You need to set them as INPUL.



DSN	TITLE	Altera Cyclone III F484 FPGA board	
DOC. No.	<b>ACM-203</b>		<b>B4</b>
FILE: FPG2A2.ch	DATE: 18-May-2016 15:55:05	Sheet	3 / 3