

BANK Group-A

HUMAN DATA LTD.  
OSAKA JAPAN  
www.hdl.co.jp/en/(Global)  
www.hdl.co.jp/(Japan)

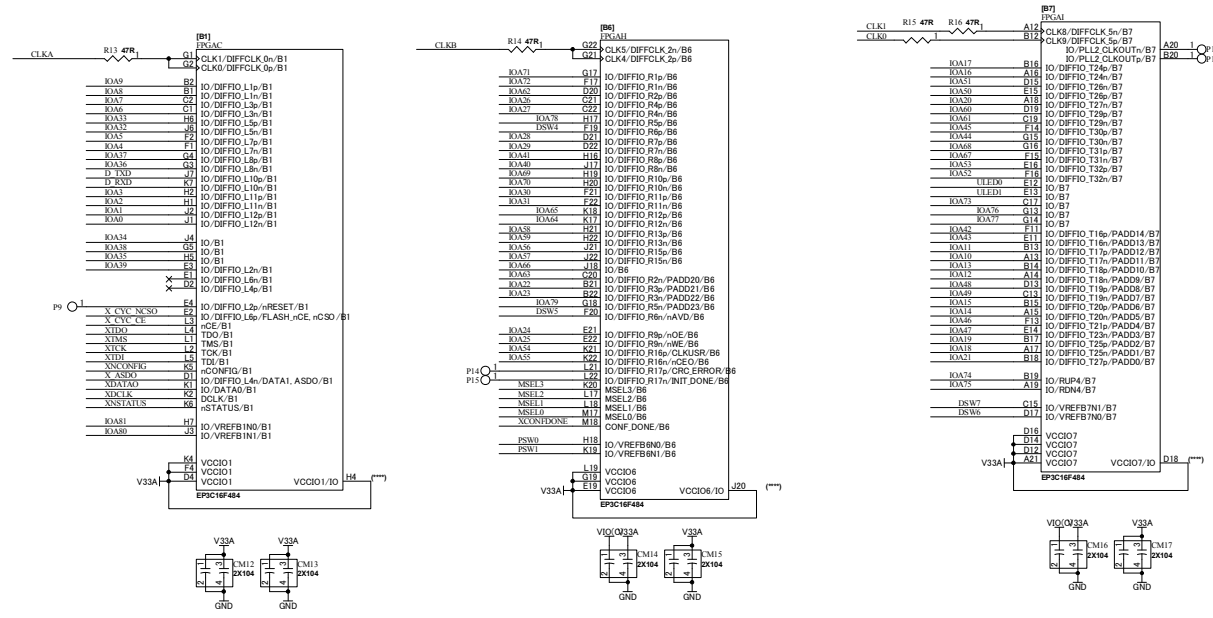
Altera CycloneIII F484 FPGA board

Date:	20-Sep-2011	16:36:36	File:	ACM203B.sch	Sheet	1	of	3
DOC. No.	ACM-203			B2				

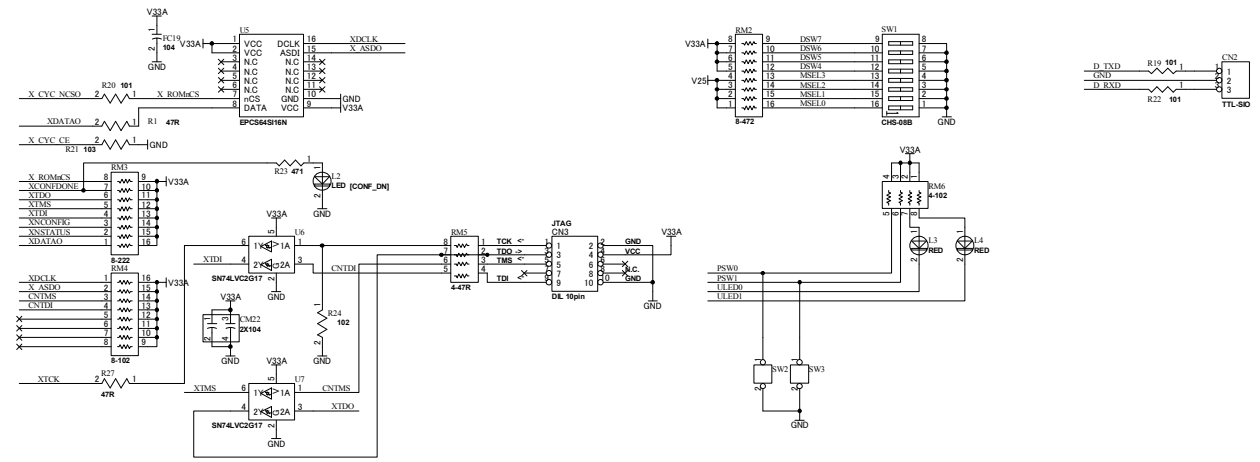
V12 V12  
V12A V12A  
V32A V32A  
VIO(B) VIO(B)  
VIO(G) VIO(G)

GND GND

IOA0\_81 IOA0\_81  
IOG0\_83 IOG0\_83  
CLKA CLKA  
CLKB CLKB  
MNCONFG MNCONFG  
CLK0 CLK0  
CLK1 CLK1



BANK Group-A



These pins are connected to VCCIO. You need to set them as INPUT.

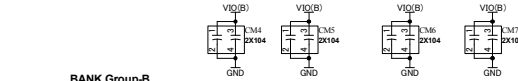
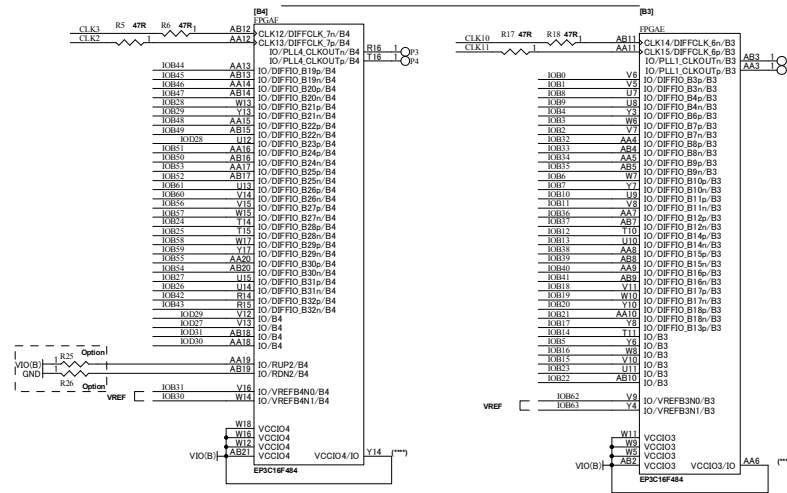
		HuMANDATA LTD. OSAKA JAPAN www.hdl.co.jp/en/(Global) www.hdl.co.jp/(Japan)		Altera CycloneIII F484 FPGA board	
Date:	20-Sep-2011	16:36:36	File:	FPGA1.sch	Sheet 2 of 3

V12	V12
V12A	V12A
V33A	V13A
VIQ(B)	VIQ(B)
VIQ(C)	VIQ(C)

GND GND

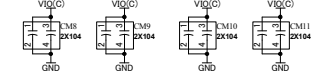
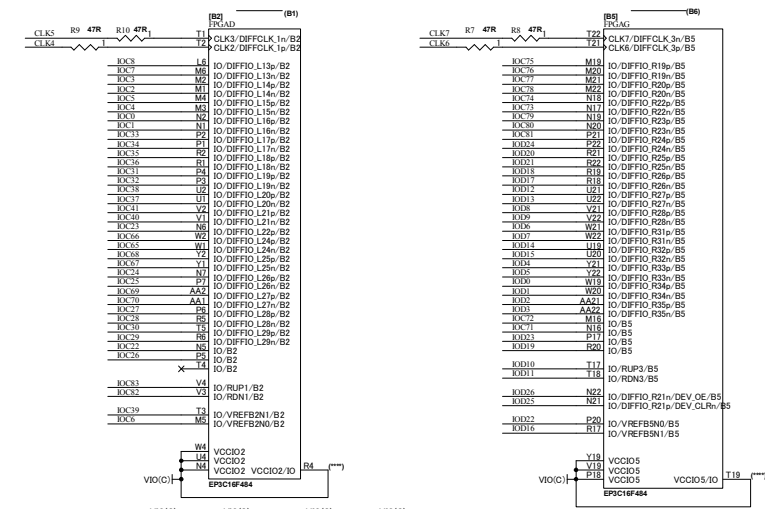
IOB(0..83)	IOB(0..83)
IOO(0..83)	IOO(0..83)
IOO(0..83)	IOO(0..83)

CLK2	CLK2
CLK3	CLK3
CLK4	CLK3
CLK5	CLK3
CLK6	CLK2
CLK7	CLK3
CLK8	CLK3
CLK9	CLK3
CLK10	CLK10
CLK11	CLK11



BANK Group-B

BANK Group-C



These pins are connected to VCCIO. You need to set them as INPUT.

<p>HUMAN DATA LTD. OSAKA JAPAN www.hdl.co.jp/en/(Global) www.hdl.co.jp/(Japan)</p>	<p>Altera CycloneIII F484 FPGA board</p>	
	<p>DOC. No. ACM-203</p>	<p>B2</p>
<p>Date: 20-Sep-2011 16:36:37</p>	<p>File: FPGA2.sch</p>	<p>Sheet 3 of 3</p>