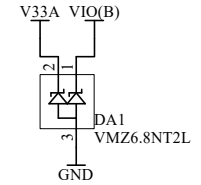
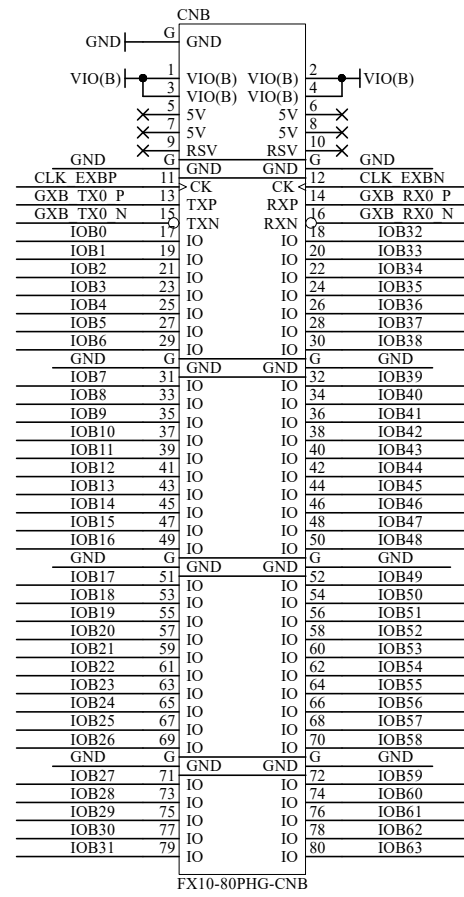
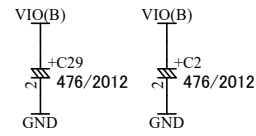
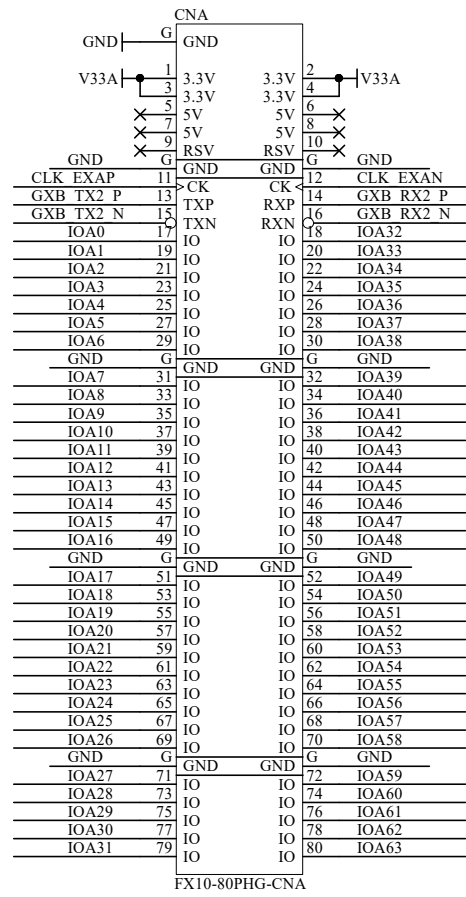
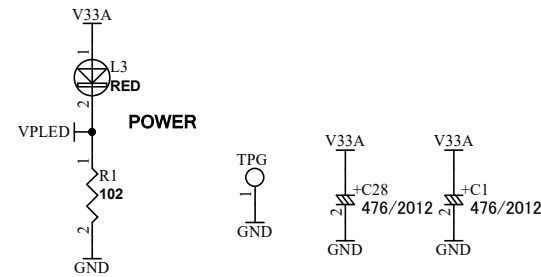


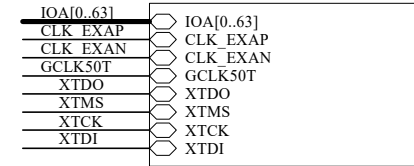
A



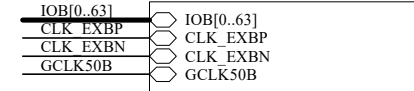
U_POWER
POWER.SchDoc



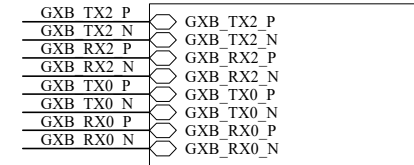
U_IOA
IOA.SchDoc



U_IOB
IOB.SchDoc

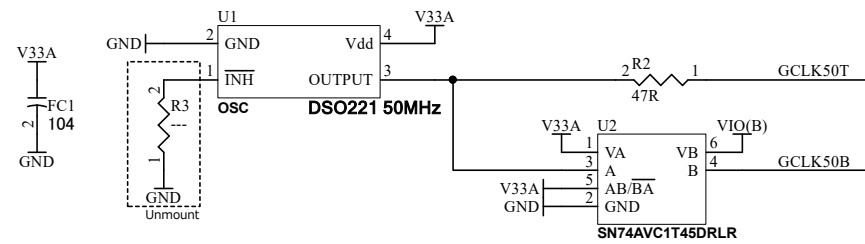


U_XCVR
XCVR.SchDoc

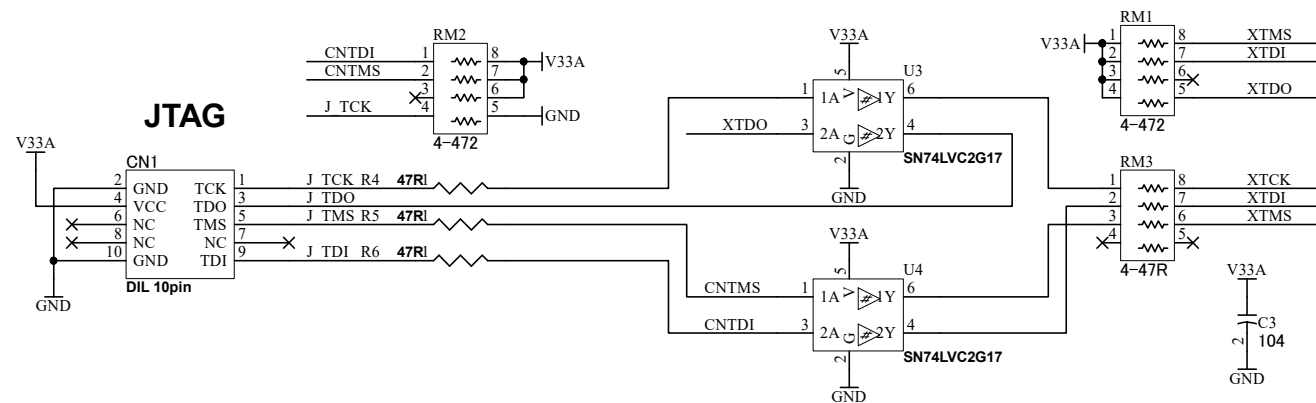


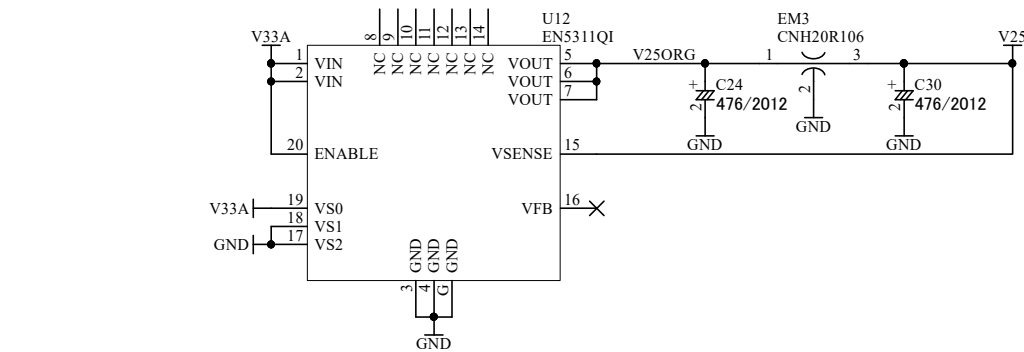
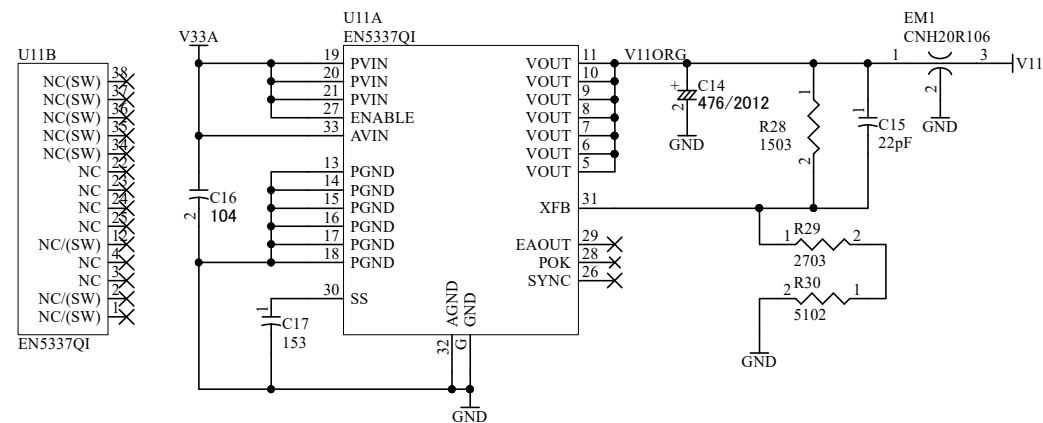
B

C

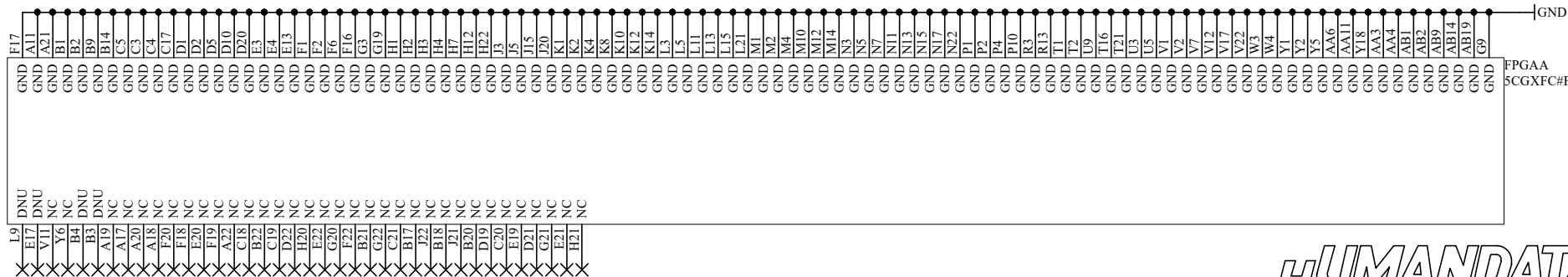
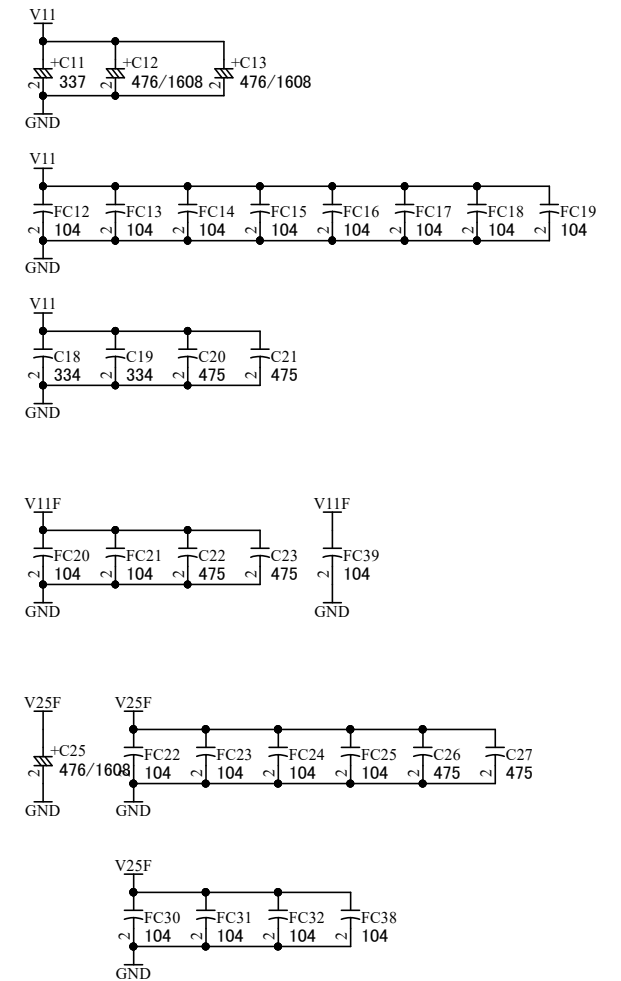
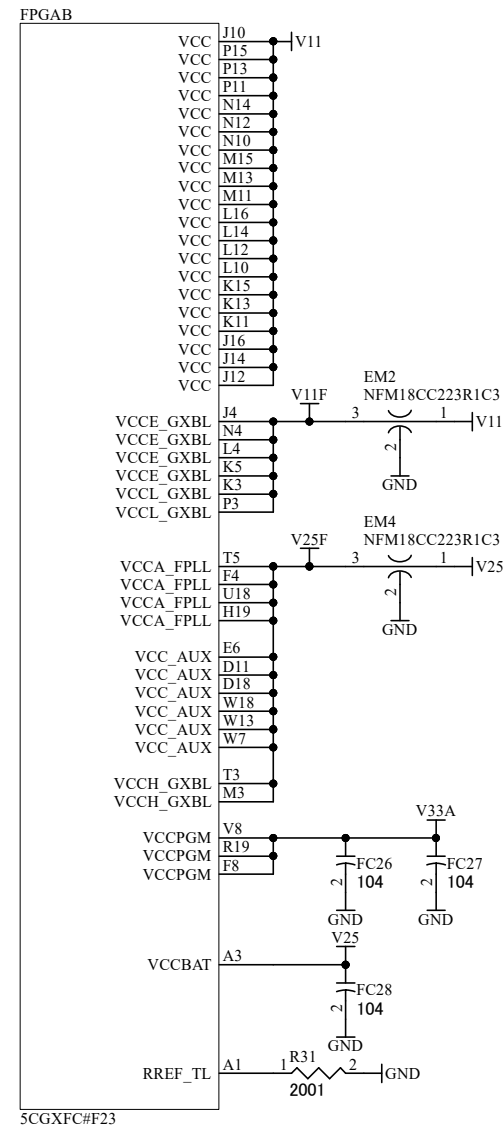
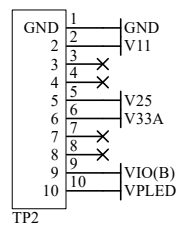


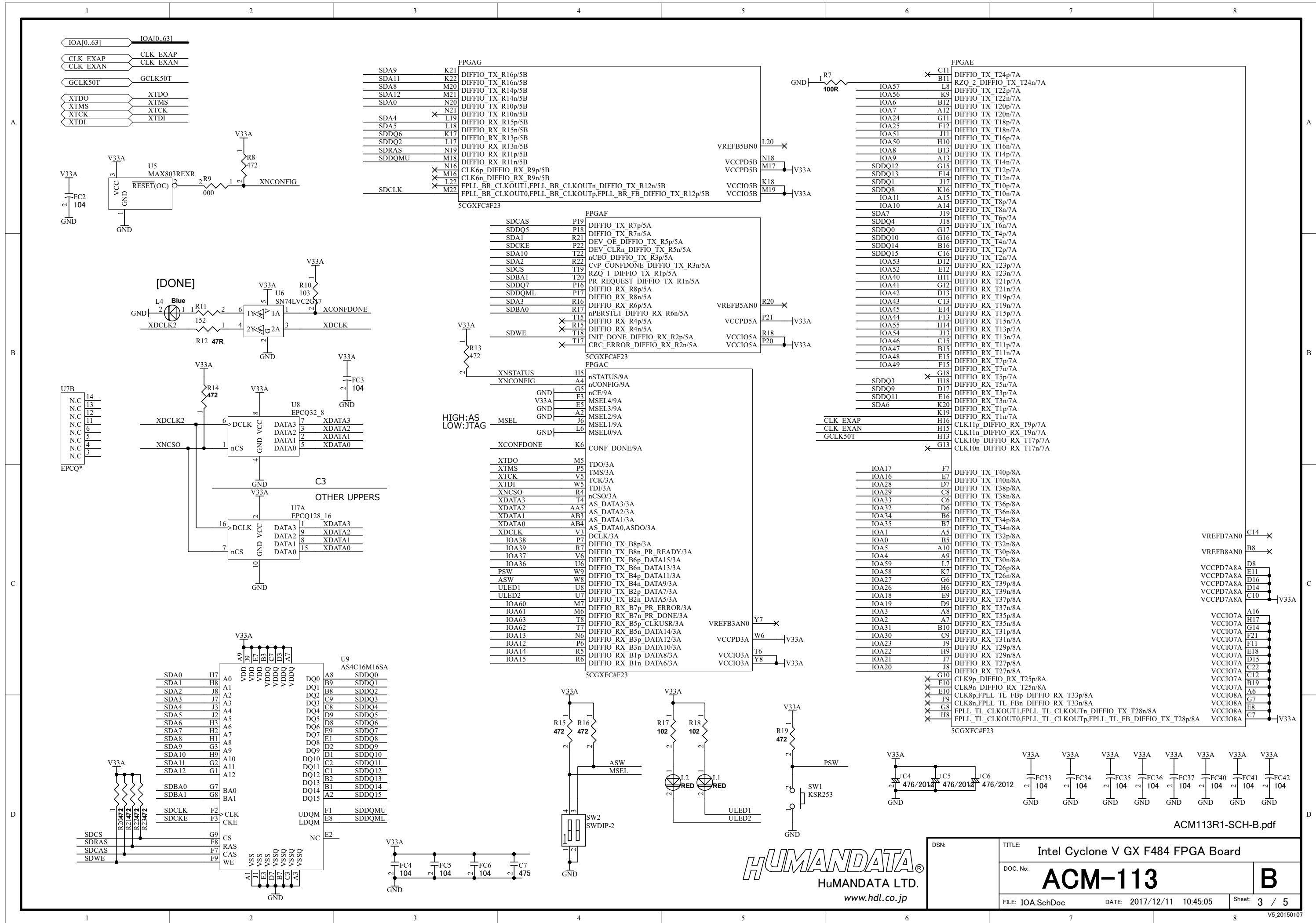
D



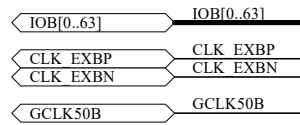


Power sense point

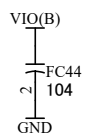
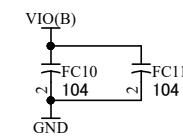
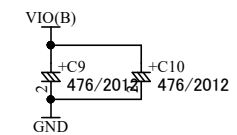
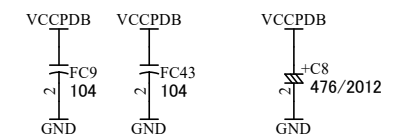
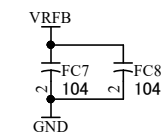
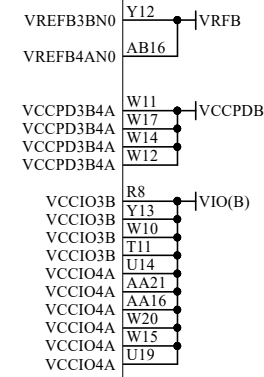
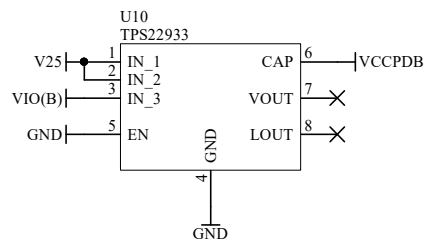
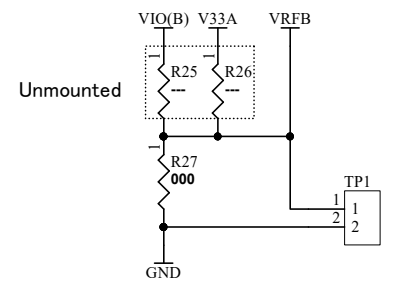
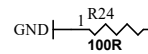




DSN:	TITLE: Intel Cyclone V GX F484 FPGA Board	
DOC. No:	ACM-113	B
FILE: IOA.SchDoc	DATE: 2017/12/11 10:45:05	Sheet: 3 / 5



IOB	Pin	Signal
IOB5	AA12	FPGAD
IOB4	Y11	DIFFIO_TX_B24p/3B
IOB16	P12	DIFFIO_TX_B24n/3B
IOB17	R12	DIFFIO_TX_B20p/3B
IOB52	Y9	DIFFIO_TX_B20n/3B
IOB53	Y10	DIFFIO_TX_B17p/3B
IOB54	AA9	DIFFIO_TX_B17n/3B
IOB55	AA10	DIFFIO_TX_B16p/3B
IOB37	AB8	DIFFIO_TX_B16n/3B
IOB36	AA8	DIFFIO_TX_B13p/3B
IOB35	AB7	DIFFIO_TX_B13n/3B
IOB34	AA7	DIFFIO_TX_B12p/3B
	R11	DIFFIO_TX_B12n/3B
	X R10	DIFFIO_RX_B22p/3B
	X R10	DIFFIO_RX_B22n/3B
IOB20	X U12	DIFFIO_RX_B19p/3B
IOB21	U11	DIFFIO_RX_B19n/3B
IOB22	R9	DIFFIO_RX_B18p/3B
IOB23	T10	DIFFIO_RX_B18n/3B
IOB57	U10	DIFFIO_RX_B14p/3B
IOB56	T9	DIFFIO_RX_B14n/3B
	N8	DIFFIO_RX_B11p/3B
	X P8	DIFFIO_RX_B11n/3B
IOB3	X V10	DIFFIO_RX_B10p/3B
IOB2	V9	DIFFIO_RX_B10n/3B
IOB32	AB5	DIFFIO_TX_B9p/3B
IOB33	AB6	DIFFIO_TX_B9n/3B
IOB0	N9	CLK1p_DIFFIO_RX_B23p/3B
IOB1	P9	CLK1n_DIFFIO_RX_B23n/3B
	X M9	CLK0p_FPLL_BL_FBp_DIFFIO_RX_B15p/3B
	X M8	CLK0n_FPLL_BL_FFn_DIFFIO_RX_B15n/3B
IOB38	X AB10	FPLL_BL_CLKOUT1,FPLL_BL_CLKOUTn_DIFFIO_TX_B21n/3B
IOB39	AB11	FPLL_BL_CLKOUT0,FPLL_BL_CLKOUTp,FPLL_BL_FB_DIFFIO_TX_B21p/3B
	X U20	DIFFIO_TX_B48p/4A
	X U21	DIFFIO_TX_B48n/4A
IOB50	X V21	DIFFIO_TX_B45p/4A
IOB51	U22	DIFFIO_TX_B45n/4A
IOB63	W21	DIFFIO_TX_B44p/4A
IOB62	Y21	DIFFIO_TX_B44n/4A
IOB49	W22	DIFFIO_TX_B41p/4A
IOB48	Y22	DIFFIO_TX_B41n/4A
IOB47	AA22	DIFFIO_TX_B40p/4A
IOB46	AB22	DIFFIO_TX_B40n/4A
IOB15	AA20	DIFFIO_TX_B37p/4A
IOB14	AA19	DIFFIO_TX_B37n/4A
IOB13	AA18	DIFFIO_TX_B36p/4A
IOB12	AA17	DIFFIO_TX_B36n/4A
IOB45	AB21	DIFFIO_TX_B33p/4A
IOB44	AB20	DIFFIO_TX_B33n/4A
IOB43	AB18	DIFFIO_TX_B32p/4A
IOB42	AB17	DIFFIO_TX_B32n/4A
IOB41	AA15	DIFFIO_TX_B29p/4A
IOB40	AB15	DIFFIO_TX_B29n/4A
IOB6	AA13	DIFFIO_TX_B28p/4A
IOB7	AA14	DIFFIO_TX_B28n/4A
	X AB12	DIFFIO_TX_B25p/4A
	X AB13	RZQ_0_DIFFIO_TX_B25n/4A
	X U17	DIFFIO_RX_B47p/4A
	X U16	DIFFIO_RX_B47n/4A
IOB58	X V18	DIFFIO_RX_B46p/4A
IOB59	V19	DIFFIO_RX_B46n/4A
IOB28	R14	DIFFIO_RX_B43p/4A
IOB29	P14	DIFFIO_RX_B43n/4A
IOB60	Y19	DIFFIO_RX_B42p/4A
IOB61	Y20	DIFFIO_RX_B42n/4A
IOB31	W19	DIFFIO_RX_B42n/4A
IOB30	V20	DIFFIO_RX_B38p/4A
IOB26	U15	DIFFIO_RX_B38n/4A
IOB27	T14	DIFFIO_RX_B35p/4A
IOB11	Y17	DIFFIO_RX_B35n/4A
IOB10	Y16	DIFFIO_RX_B34p/4A
IOB9	Y15	DIFFIO_RX_B34n/4A
IOB8	Y14	DIFFIO_RX_B30p/4A
IOB18	T13	DIFFIO_RX_B27p/4A
IOB19	T12	DIFFIO_RX_B27n/4A
IOB25	U13	DIFFIO_RX_B26p/4A
IOB24	W13	DIFFIO_RX_B26n/4A
CLK EXBP	W16	CLK3p_DIFFIO_RX_B39p/4A
CLK EXBN	V16	CLK3n_DIFFIO_RX_B39n/4A
GCLK50B	V15	CLK2p_DIFFIO_RX_B31p/4A
	X V14	CLK2n_DIFFIO_RX_B31n/4A

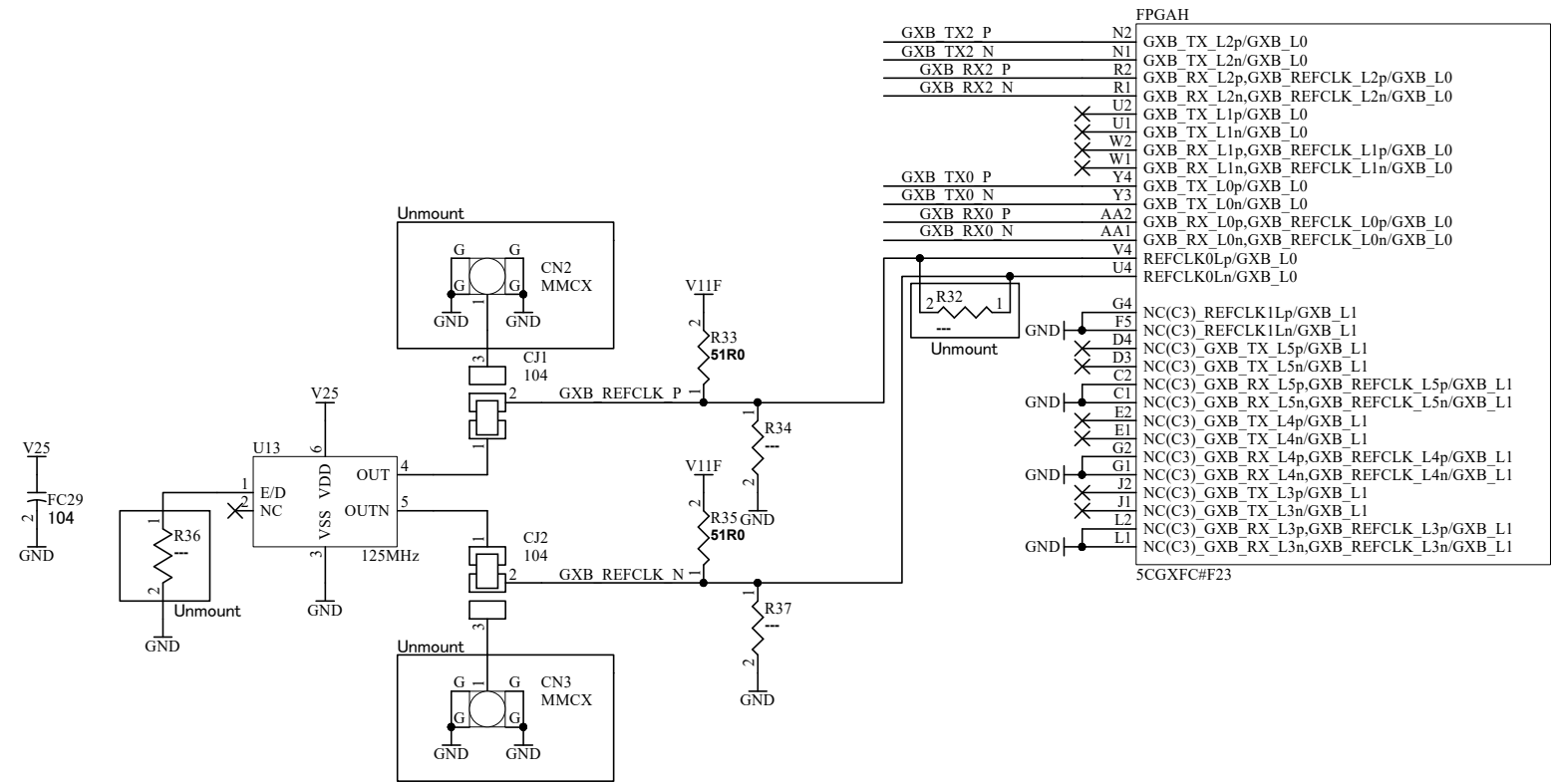


ACM113R1-SCH-B.pdf



DSN:	TITLE: Intel Cyclone V GX F484 FPGA Board
DOC. No:	ACM-113
FILE: IOB.SchDoc	DATE: 2017/12/11 10:45:05
Sheet: 4 / 5	

GXB TX2 P	GXB TX2 P
GXB TX2 N	GXB TX2 N
GXB RX2 P	GXB RX2 P
GXB RX2 N	GXB RX2 N
GXB TX0 P	GXB TX0 P
GXB TX0 N	GXB TX0 N
GXB RX0 P	GXB RX0 P
GXB RX0 N	GXB RX0 N



FPGA	
GXB TX2 P	N2 GXB_TX_L2p/GXB_L0
GXB TX2 N	N1 GXB_TX_L2n/GXB_L0
GXB RX2 P	R2 GXB_RX_L2p,GXB_REFCLK_L2p/GXB_L0
GXB RX2 N	R1 GXB_RX_L2n,GXB_REFCLK_L2n/GXB_L0
	U2 GXB_TX_L1p/GXB_L0
	U1 GXB_TX_L1n/GXB_L0
	W2 GXB_RX_L1p,GXB_REFCLK_L1p/GXB_L0
	W1 GXB_RX_L1n,GXB_REFCLK_L1n/GXB_L0
GXB TX0 P	Y4 GXB_TX_L0p/GXB_L0
GXB TX0 N	Y3 GXB_TX_L0n/GXB_L0
GXB RX0 P	AA2 GXB_RX_L0p,GXB_REFCLK_L0p/GXB_L0
GXB RX0 N	AA1 GXB_RX_L0n,GXB_REFCLK_L0n/GXB_L0
	V4 REFCLK0Lp/GXB_L0
	U4 REFCLK0Ln/GXB_L0
	G4 NC(C3)_REFCLK1Lp/GXB_L1
	F5 NC(C3)_REFCLK1Ln/GXB_L1
	D4 NC(C3)_GXB_TX_L5p/GXB_L1
	D3 NC(C3)_GXB_TX_L5n/GXB_L1
	C2 NC(C3)_GXB_RX_L5p,GXB_REFCLK_L5p/GXB_L1
	C1 NC(C3)_GXB_RX_L5n,GXB_REFCLK_L5n/GXB_L1
	E2 NC(C3)_GXB_TX_L4p/GXB_L1
	E1 NC(C3)_GXB_TX_L4n/GXB_L1
	G2 NC(C3)_GXB_RX_L4p,GXB_REFCLK_L4p/GXB_L1
	G1 NC(C3)_GXB_RX_L4n,GXB_REFCLK_L4n/GXB_L1
	J2 NC(C3)_GXB_TX_L3p/GXB_L1
	J1 NC(C3)_GXB_TX_L3n/GXB_L1
	L2 NC(C3)_GXB_RX_L3p,GXB_REFCLK_L3p/GXB_L1
	L1 NC(C3)_GXB_RX_L3n,GXB_REFCLK_L3n/GXB_L1
	5CGXFC#F23

ACM113R1-SCH-B.pdf



DSN:	TITLE: Intel Cyclone V GX F484 FPGA Board	
DOC. No:	ACM-113	B
FILE: XCVR.SchDoc	DATE: 2017/12/11 10:45:05	Sheet: 5 / 5