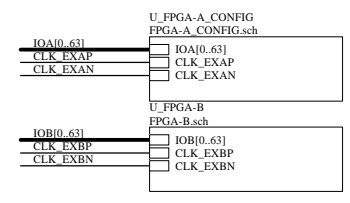
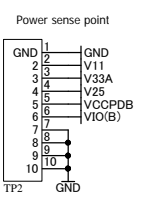
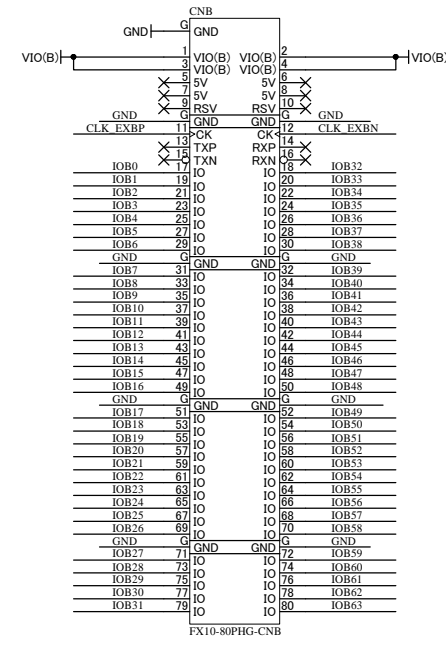
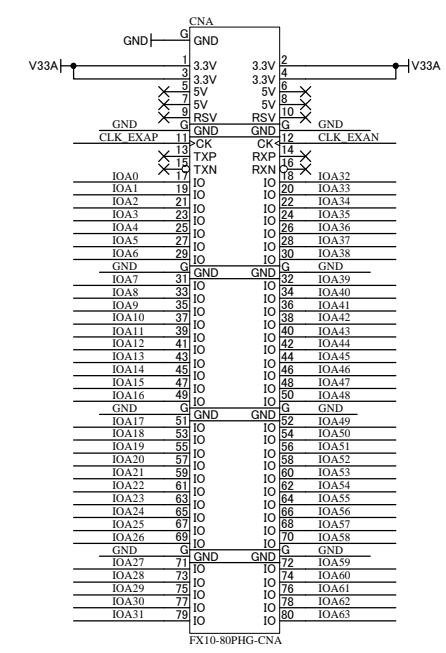
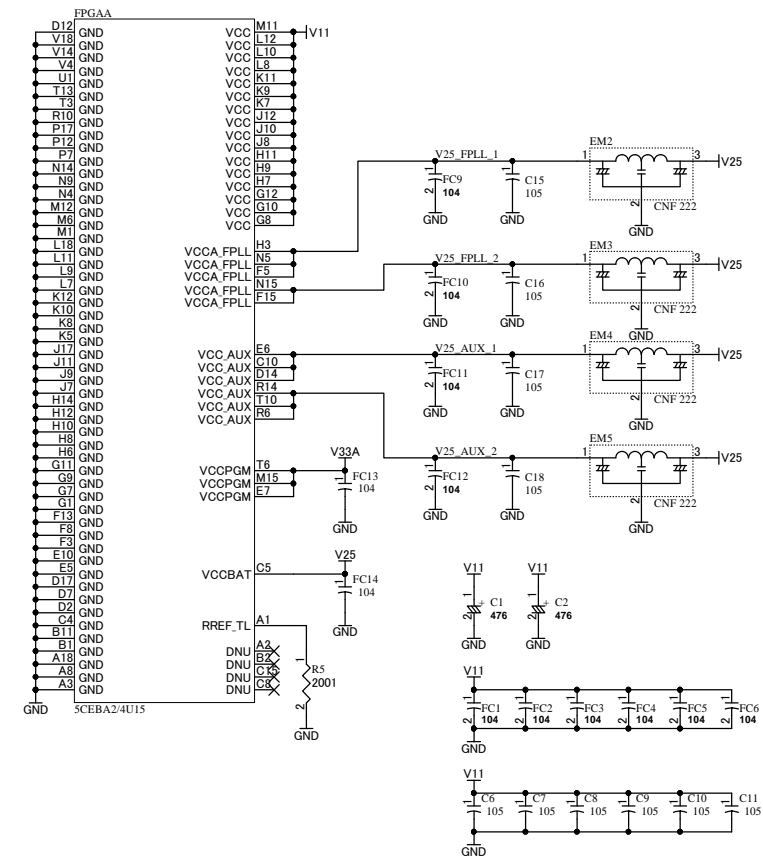
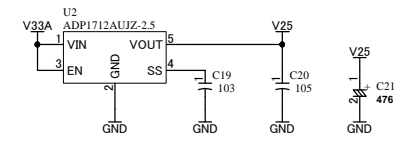
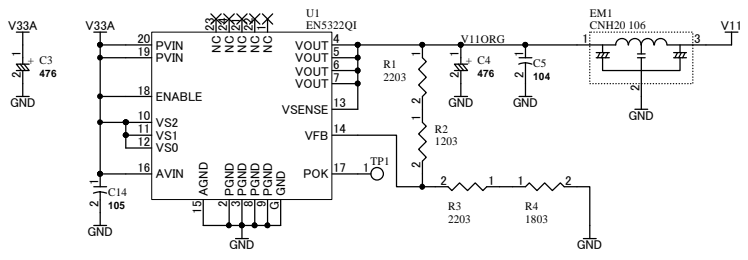
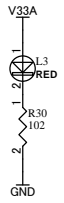


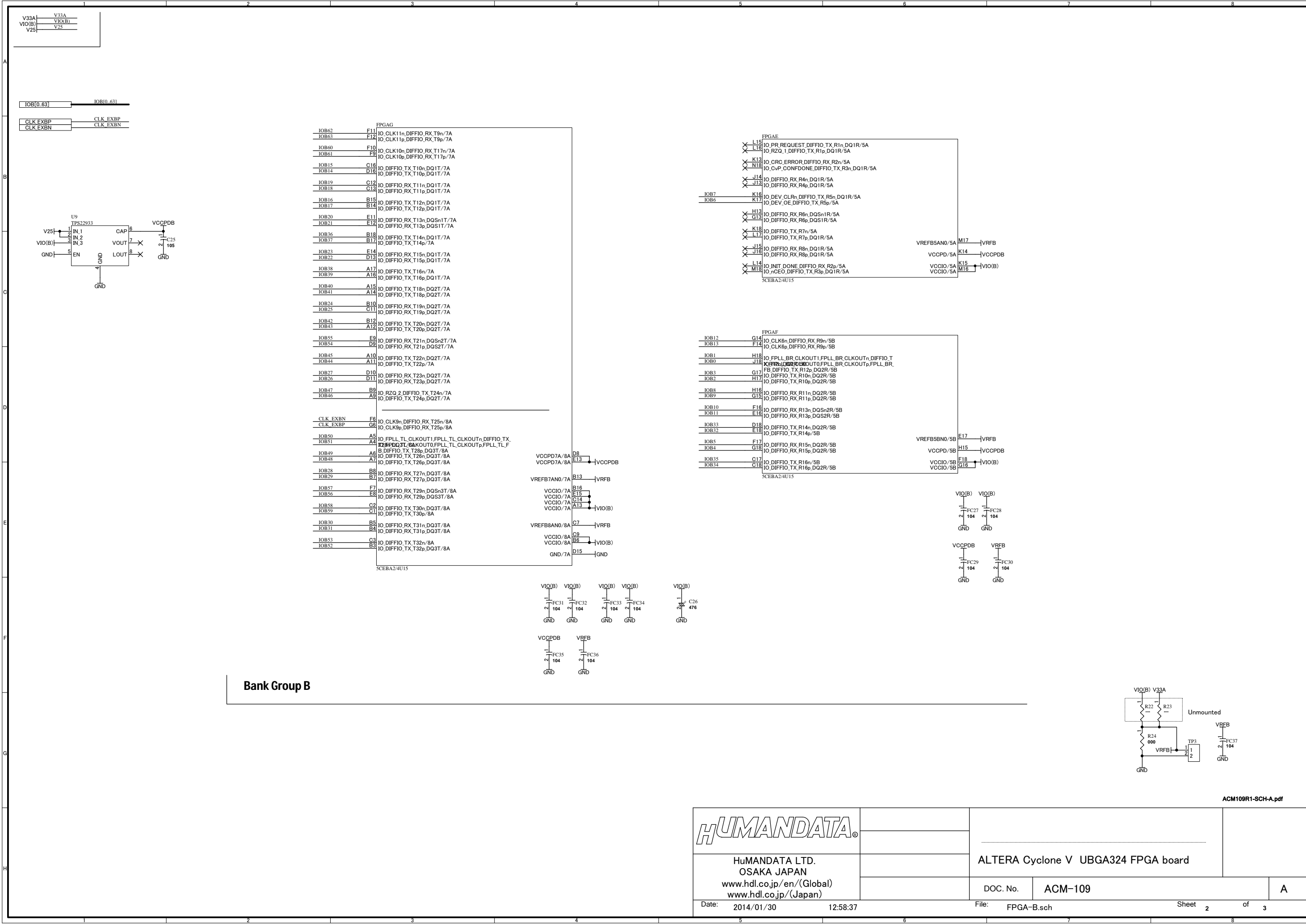
V33A	V33A
VIO(B)	VIO(B)
V25	V25
V11	V11

[POWER]



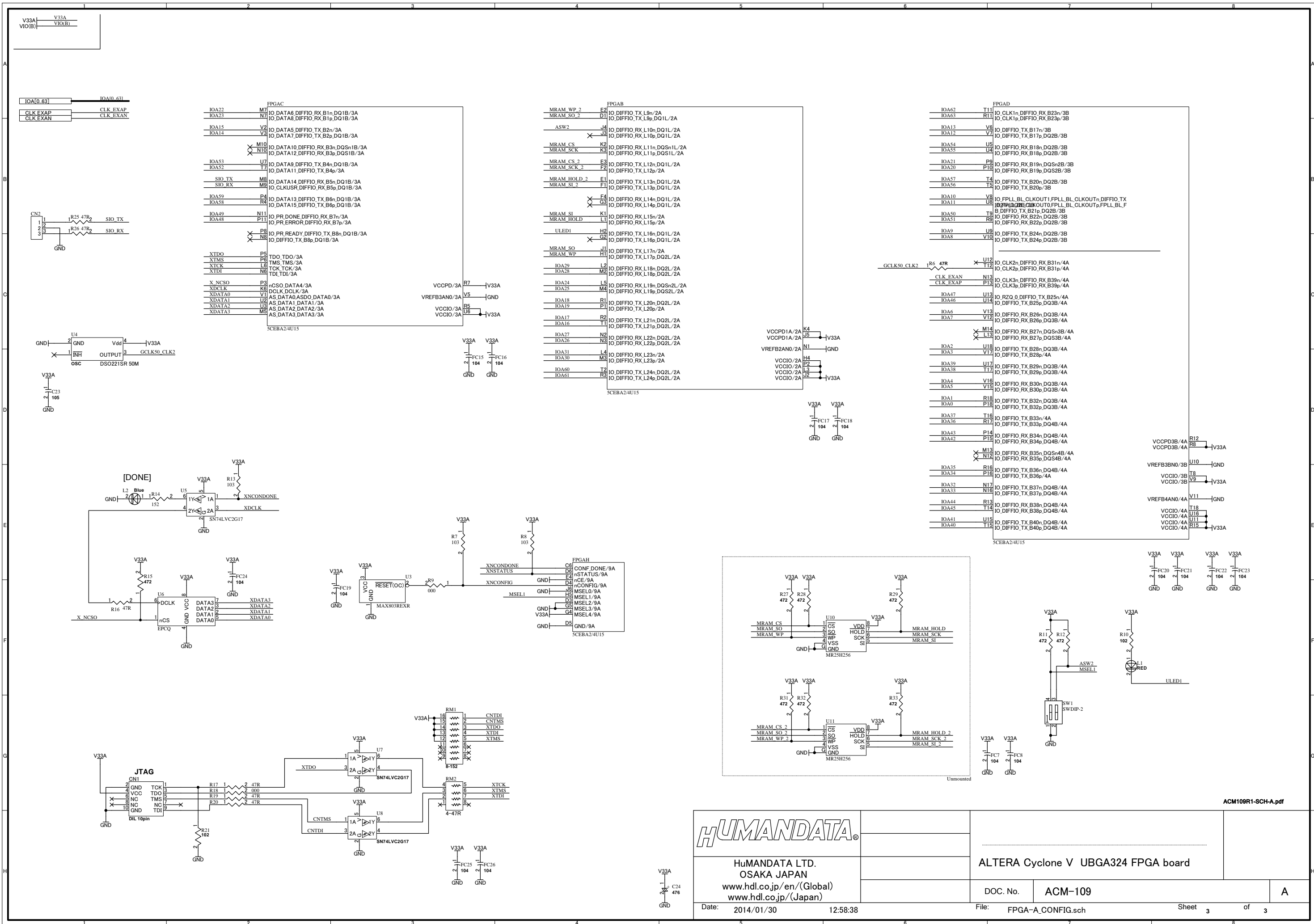
HuMANDATA LTD.
OSAKA JAPAN
www.hdl.co.jp/en/(Global)
www.hdl.co.jp/(Japan)

ALTERA Cyclone V UBGA324 FPGA board



Bank Group B

		ALTERA Cyclone V UBG324 FPGA board		
				HuMANDATA LTD. OSAKA JAPAN www.hdl.co.jp/en/(Global) www.hdl.co.jp/(Japan)
Date: 2014/01/30	12:58:37	File: FPGA-B.sch	Sheet 2 of 3	A



HuMANDATA LTD.
 OSAKA JAPAN
 www.hdl.co.jp/en/(Global)
 www.hdl.co.jp/(Japan)

ALTERA Cyclone V UBG324 FPGA board

DOC. No. ACM-109

A

Date: 2014/01/30 12:58:38

File: FPGA-A_CONFIG.sch

Sheet 3 of 3

ACM109R1-SCH-A.pdf