

**HUMAN DATA**  
 HuMANDATA LTD.  
 OSAKA JAPAN  
 www.hdl.co.jp/en/(Global)  
 www.hdl.co.jp/(Japan)

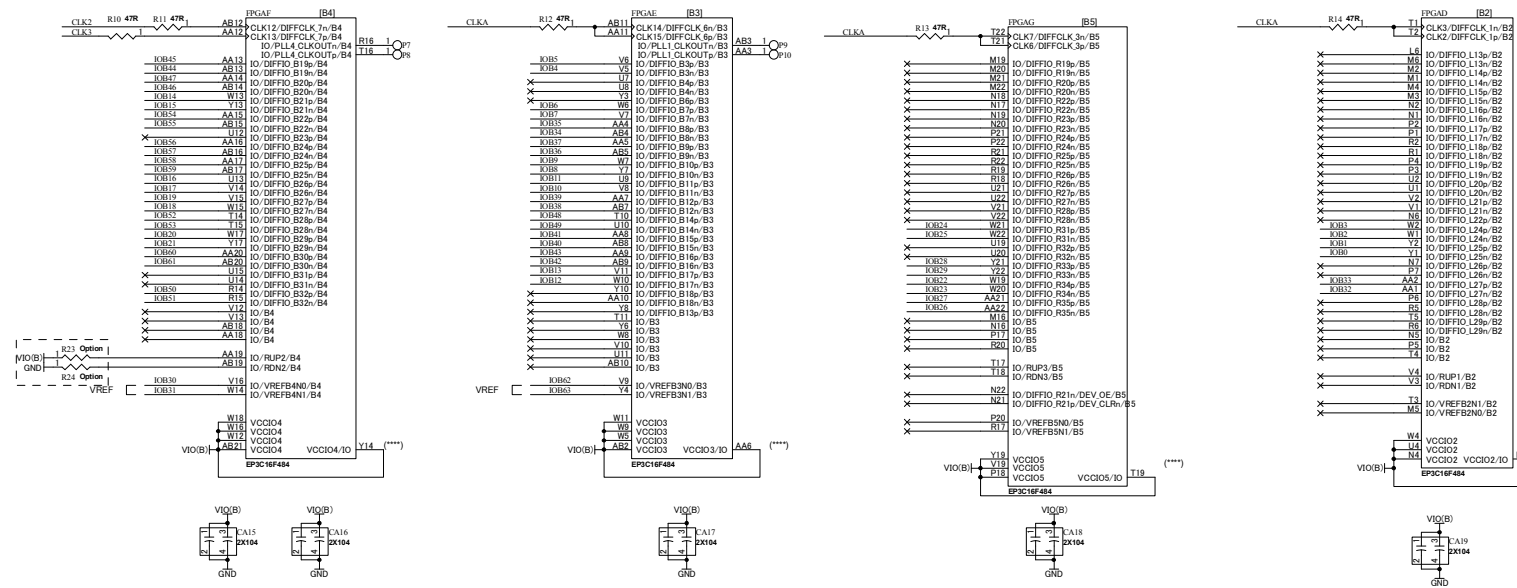
Altera CycloneIII F484 FPGA board



V12 V12  
 V124 V12A  
 V33A V33A  
 VIO(B) VIO(B)  
 GND GND

IOB(0..63) IOB0..63

CLK2 CLK2  
 CLK3 CLK3  
 CLKA CLKA  
 CLKB CLKB



(\*\*\*\*) These pins are connected to VCCIO. You need to set them as INPUT.



HuMANDATA LTD.  
 OSAKA JAPAN  
 www.hdl.co.jp/en/(Global)  
 www.hdl.co.jp/(Japan)

Altera Cyclone III F484 FPGA board

DOC. No. ACM-105

C

Date: 28-Feb-2012 09:02:45

File: FPGA2.sch

Sheet 3 of 3