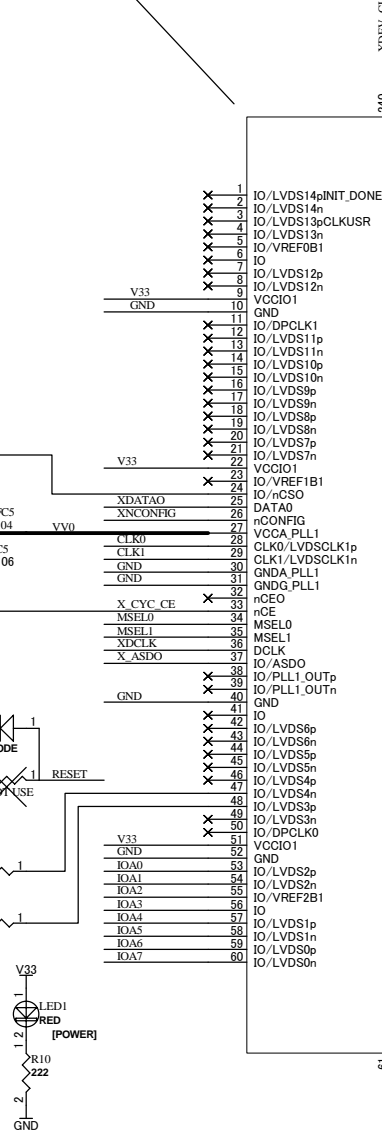
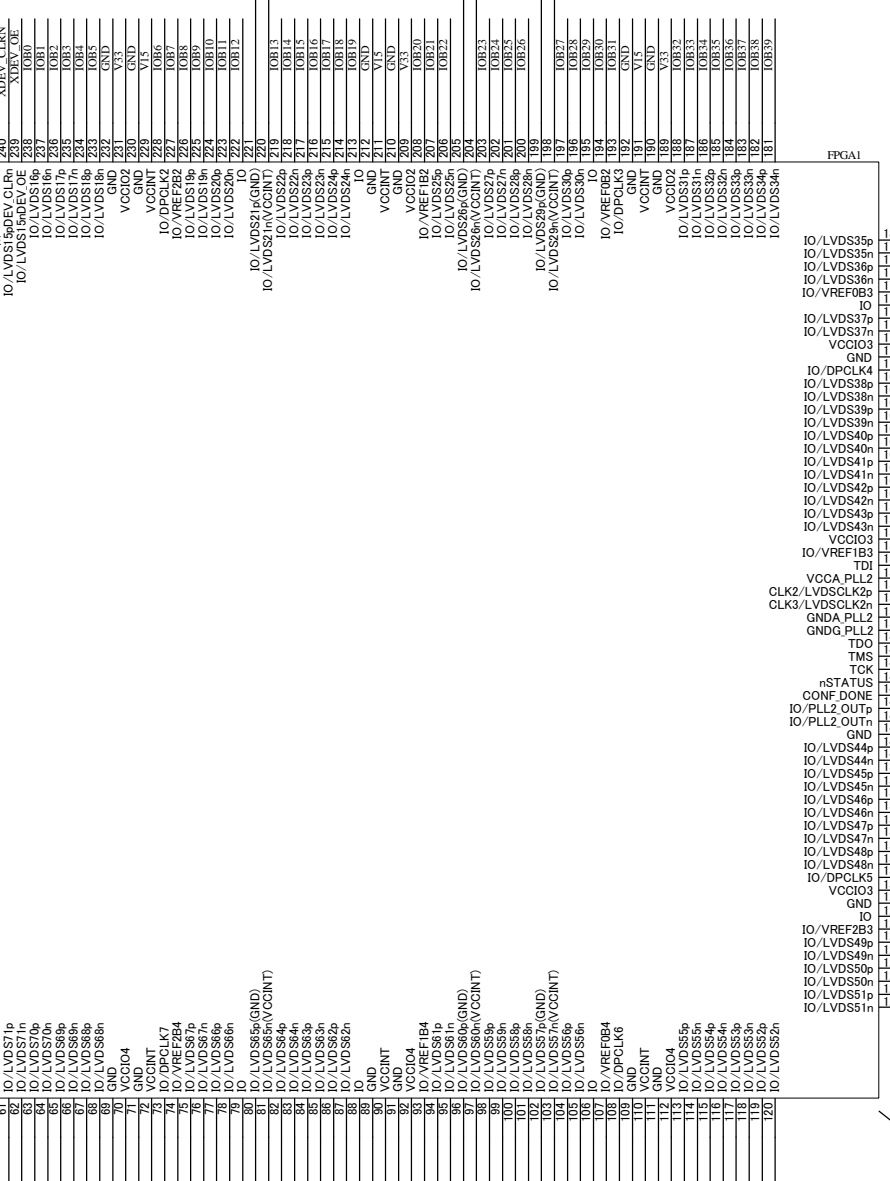


BANK-A

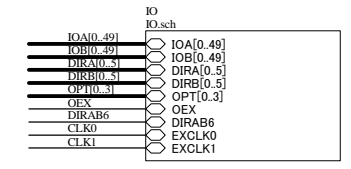


BANK-B



These pins are connected to GND or VCCINT. You need to set them as INPUT.

These pins are connected to GND or VCCINT. You need to set them as INPUT.



EP1C6/12Q240C

BANK-B

BANK-A

		2010/08/20	
		Altera Cyclone Q240 FPGA board(5 V I/O) (Rev2)	
HuMANDATA LTD. OSAKA JAPAN www.hdl.co.jp/en/(Global) www.hdl.co.jp/(Japan)		DOC. No.	ACM-012
Date:	20-Aug-2010	09:31:24	File: ACM012A.sch
		Sheet	1 of 2

ACM012R2-SCH-A2.pdf

