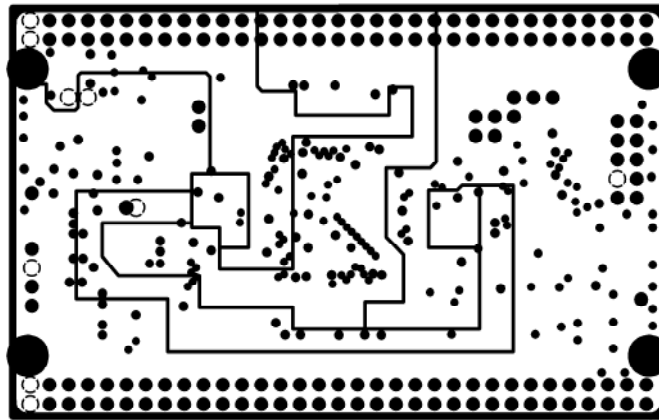
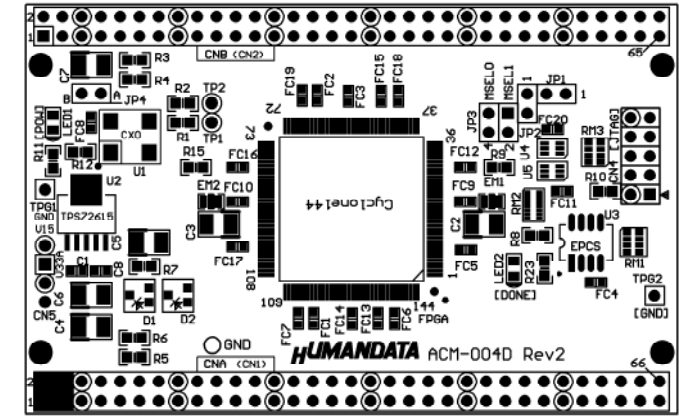


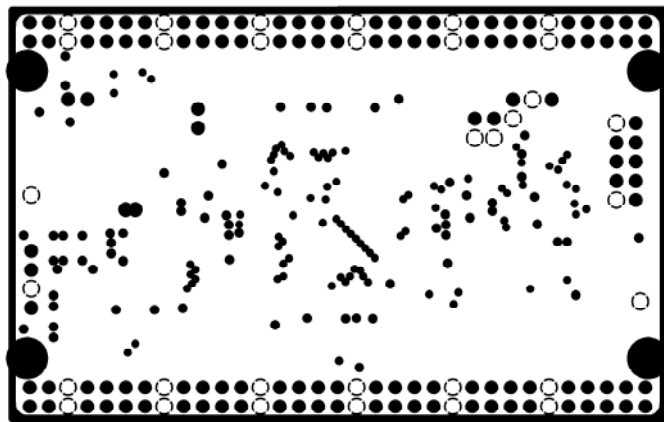
TOP LAYER



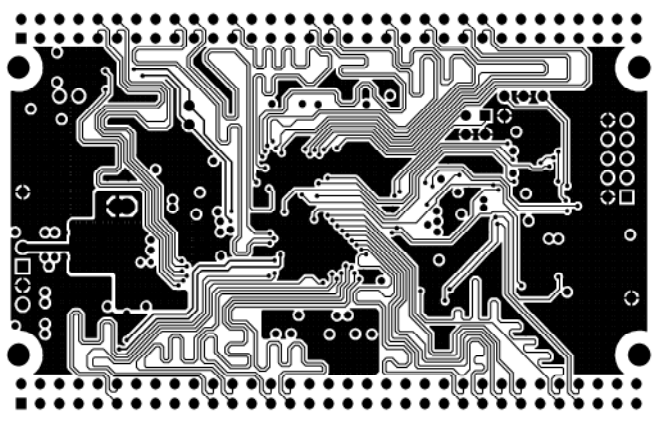
INTERNAL PLANE2(VCC)



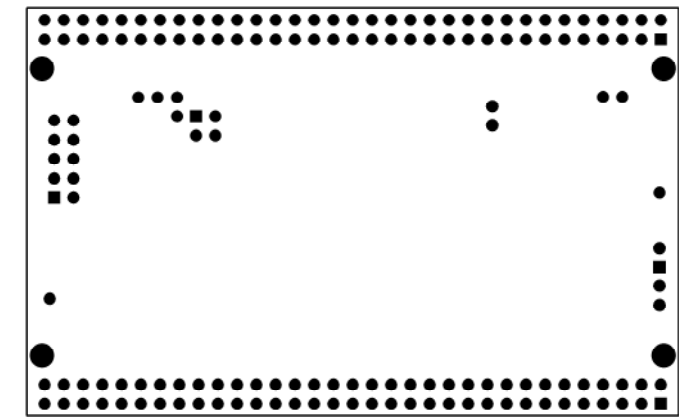
Component Side



INTERNAL PLANE1(GND)



BOTTOM LAYER



Solder Side

HUMANDATA		UNIT	TITLE	
CHK	DWG		ACM-004D PCB drawing	
		SIZE	DWG NO	REV
			PCB-ACM-004D	A

