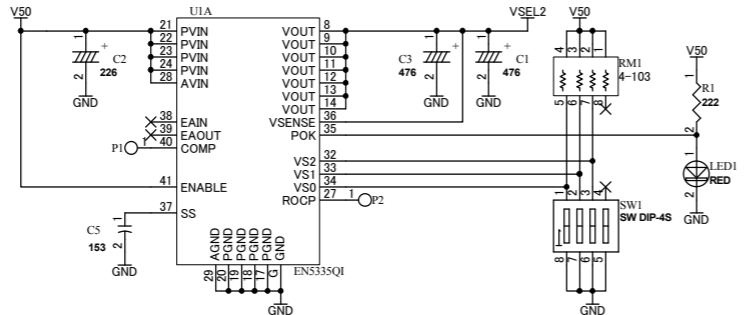
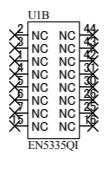
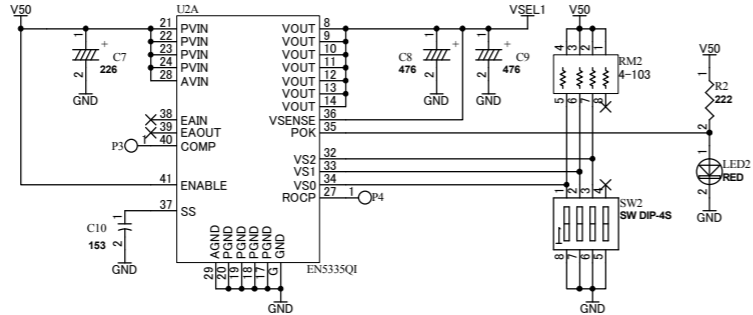
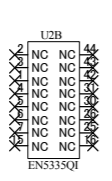
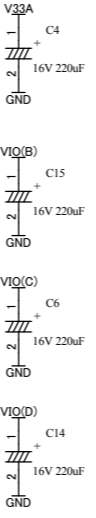
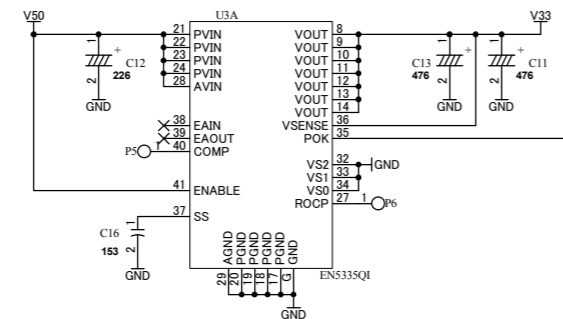
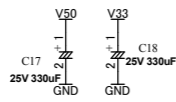
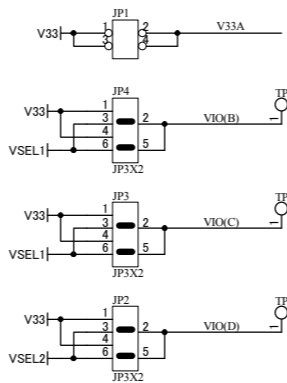
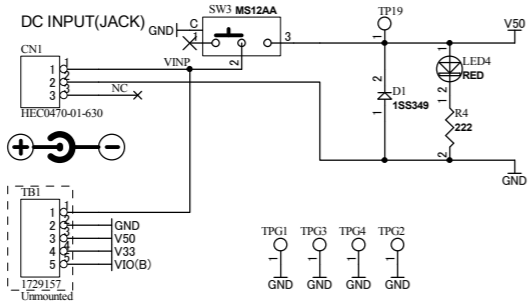
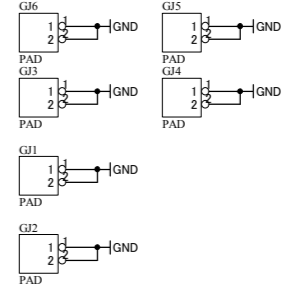


VIO(D) | VIO(D)
 VIO(C) | VIO(C)
 VIO(B) | VIO(B)
 V33A | V33A
 GND | GND



ZKB106-1
ZKB106-1.sch

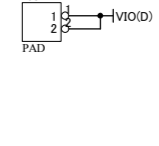
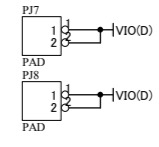
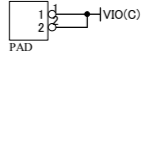
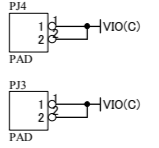
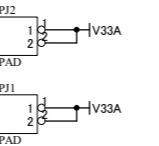
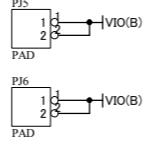
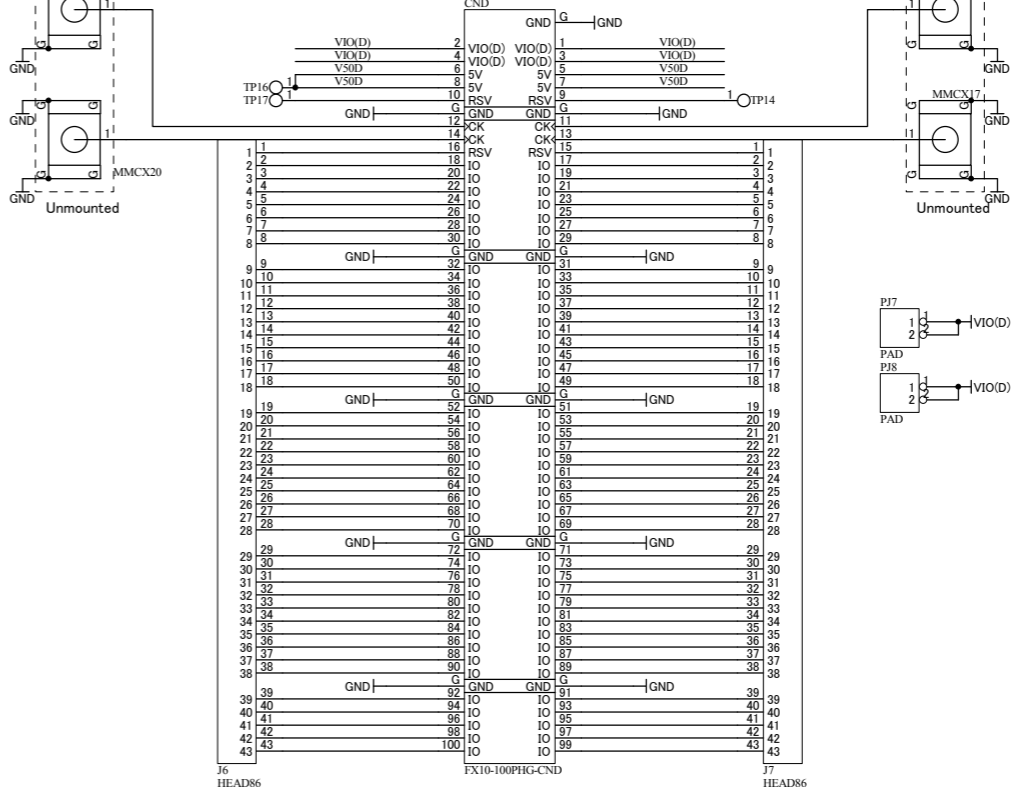
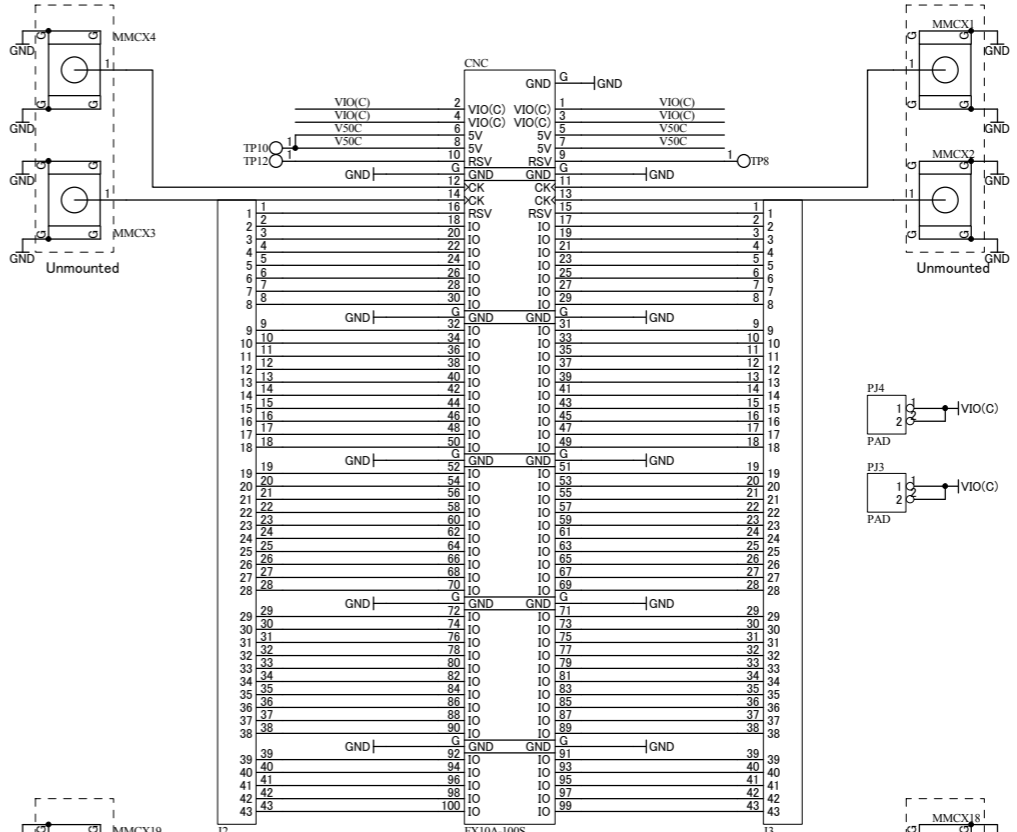
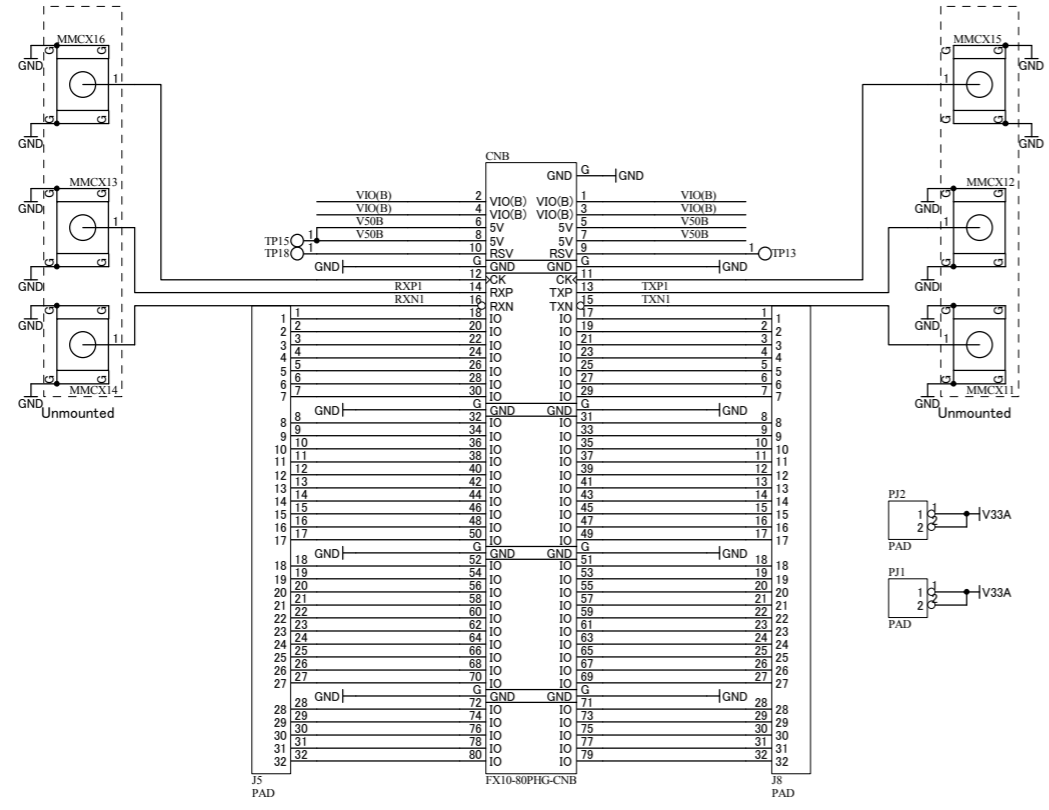
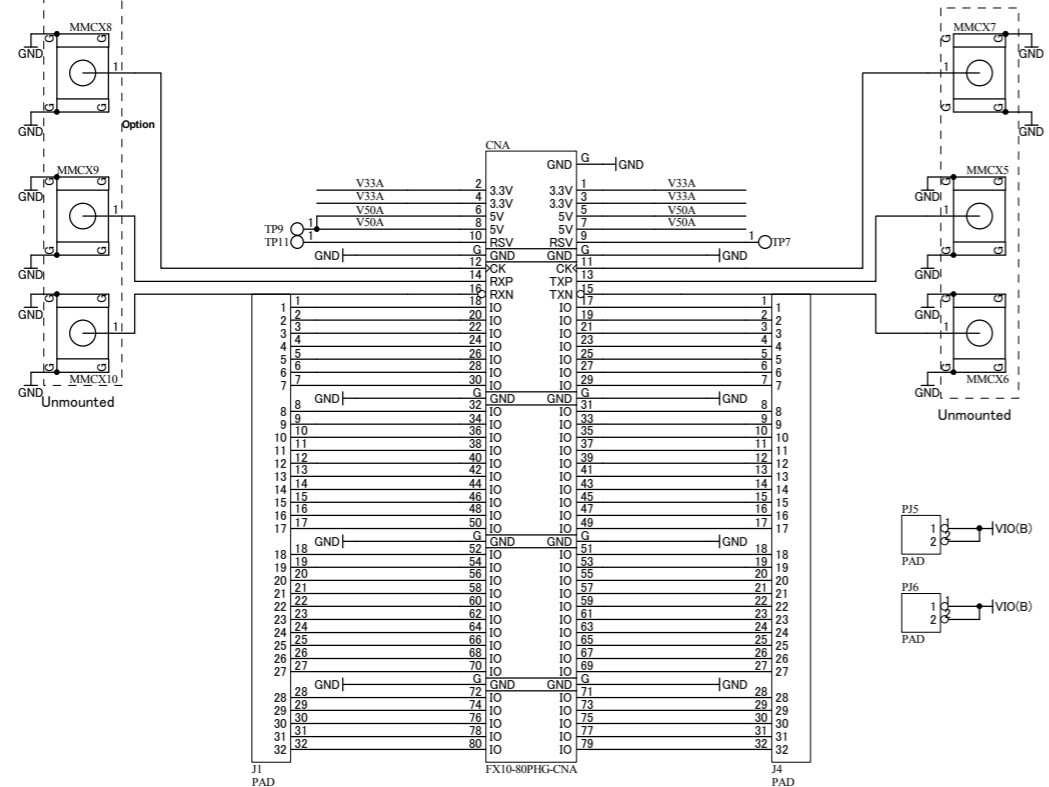


G1 PARTS

ZKB106R1-SCH-A3.pdf

		Universal board for ACM/XCM-2 series Type2	
HuMANDATA LTD. OSAKA JAPAN www.hdl.co.jp/en/ (Global) www.hdl.co.jp/ (Japan)		DOC. No.	ZKB-106
Date:	9-Dec-2011	10:14:50	File: ZKB106A.sch
			Sheet 1 of 2
			A3

VIO(D) — VIO(D)
 VIO(C) — VIO(C)
 VIO(B) — VIO(B)
 V33A — V33A
 GND — GND



		Universal board for ACM/XCM-2 series Type2	
Date: 9-Dec-2011 10:14:50		File: ZKB106-1.sch	Sheet 2 of 2
		A3	