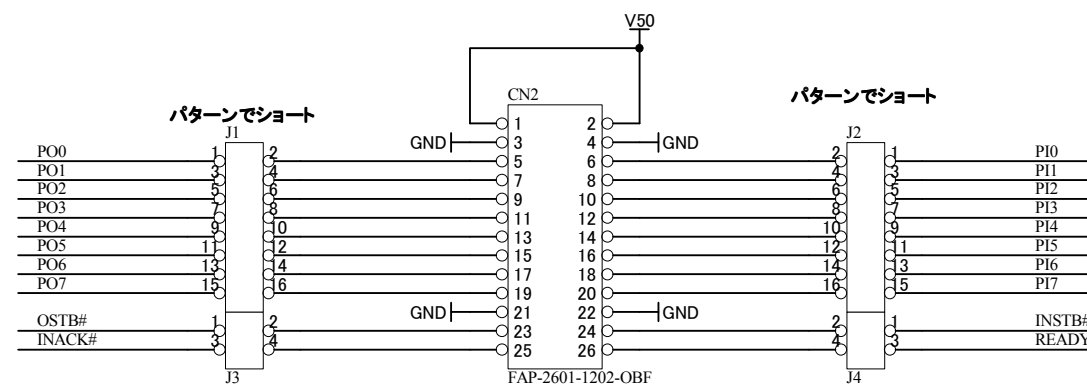
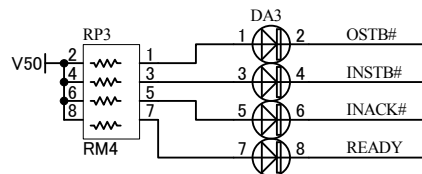
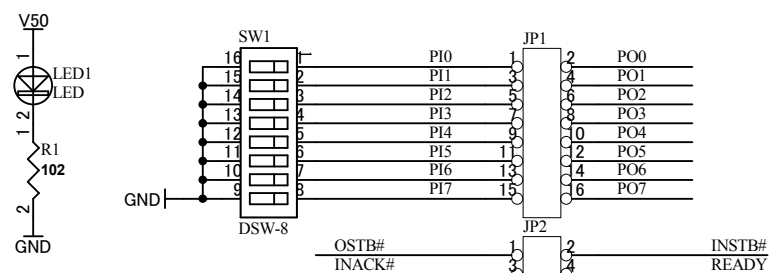
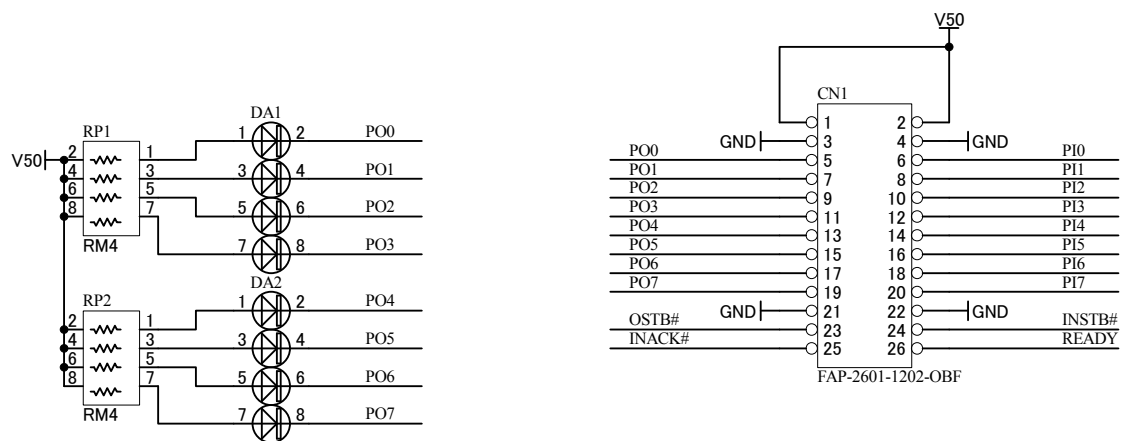


V50
V33
GND
FG



	2008/05/30	-----	
	HuMANDATA LTD. OSAKA JAPAN www.hdl.co.jp	USB-026 CHEKER BOARD	
		DOC. No.	ZKB-065
Date:	30-May-2008 14:02:53	File:	ZKB065A.SCH
		Sheet	1 of 1