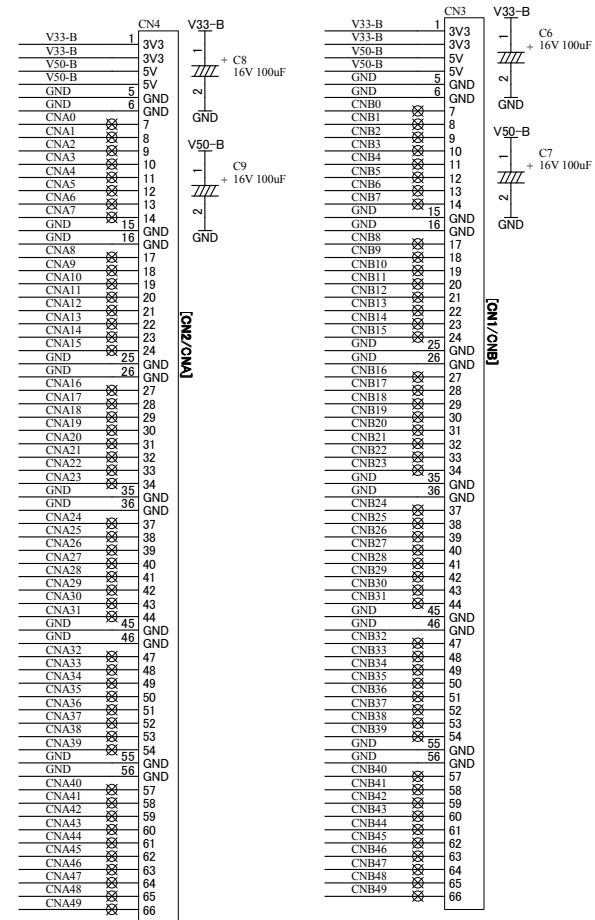
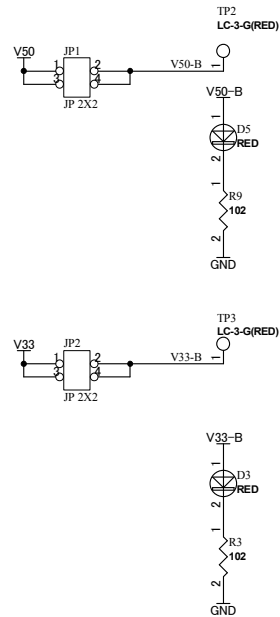
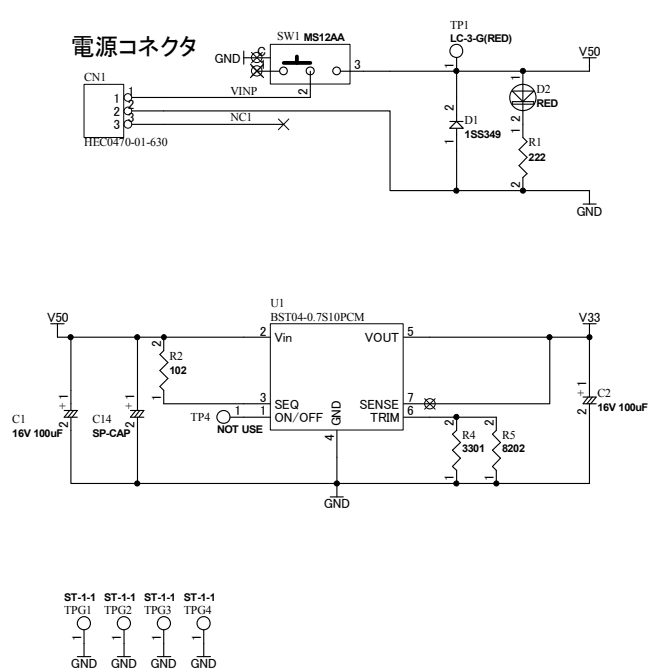


電源コネクタ



|                           |  |                       |              |
|---------------------------|--|-----------------------|--------------|
|                           | 2009/03/03                                     | -----                 |              |
|                           | HuMANDATA LTD.<br>OSAKA JAPAN<br>www.hdl.co.jp | XCM/ACM support Board |              |
| Date: 3-Mar-2009 15:50:43 | File: ZKB054C.sch                              | DOC. No. ZKB-054      | Sheet 1 of 1 |