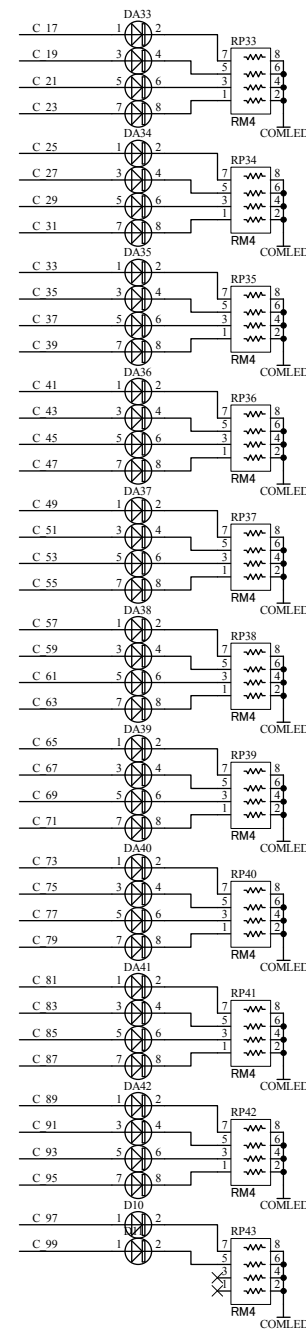
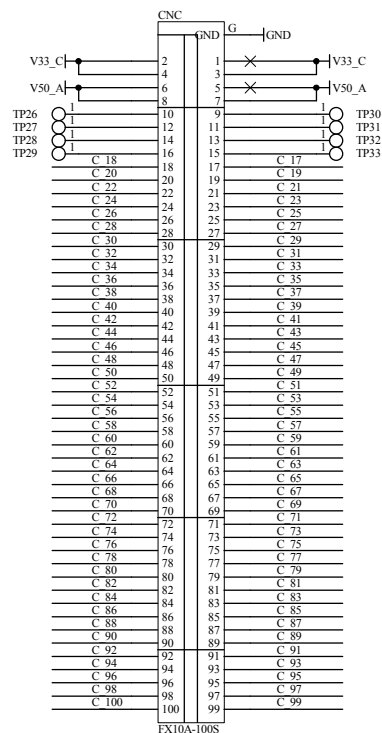
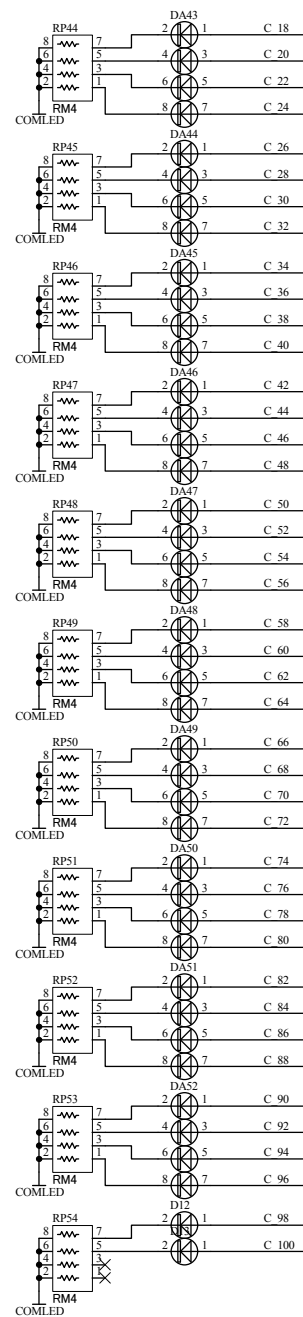


		2007/11/15	
		HuMANDATA LTD. OSAKA JAPAN www.hdl.co.jp	
Date: 15-Nov-2007 19:42:51		ACM/XCM-2xx LED-CHECKER	
		DOC. No.	ZKB-033
File: ZKB033C.sch		Sheet 1	of 3

GND|GND
 COMLED|COMLED
 V50|V50
 V50_A|V50_A
 V33|V33
 V33_A|V33_A
 V33_B|V33_B
 V33_C|V33_C
 V33_D|V33_D



GND | GND
 COMLED | COMLED
 V50 | V50
 V50_A | V50_A
 V33 | V33
 V33_A | V33_A
 V33_B | V33_B
 V33_C | V33_C
 V33_D | V33_D

