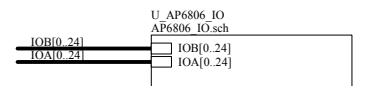
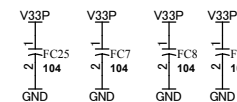
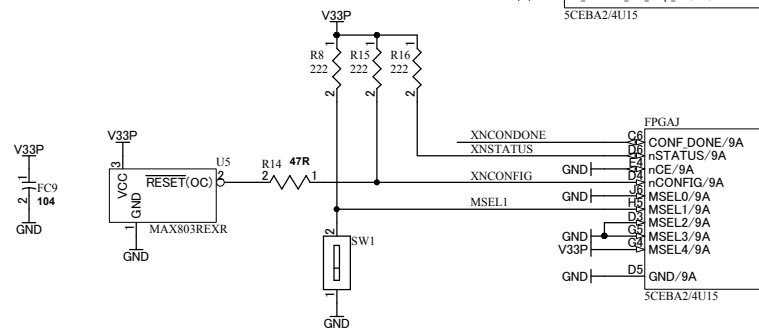
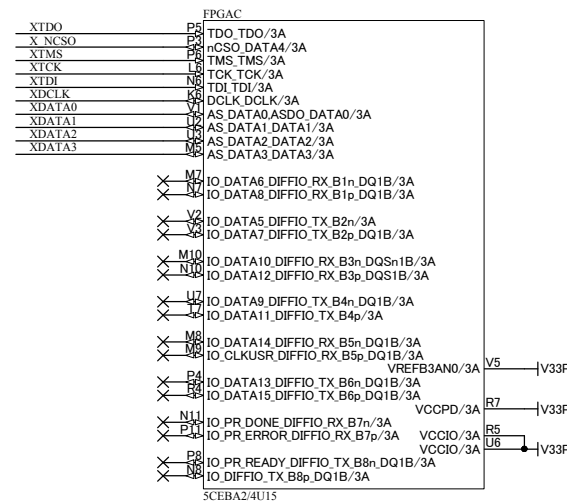
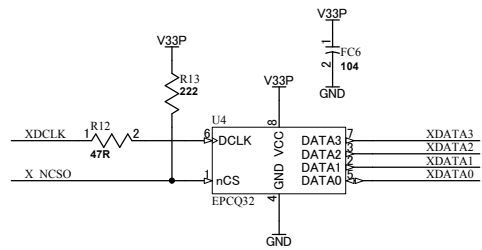
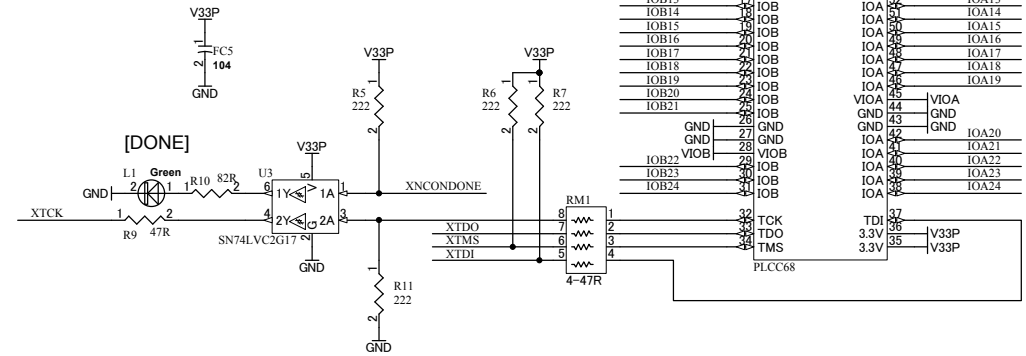
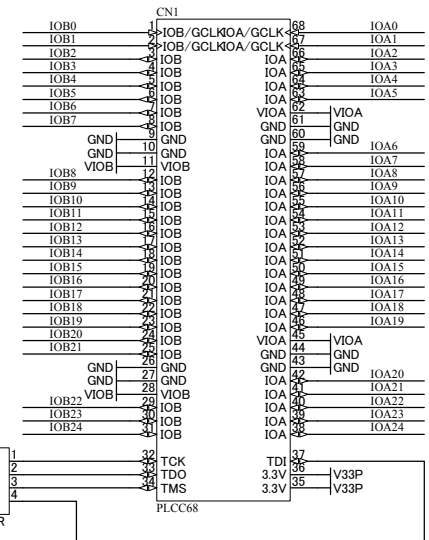
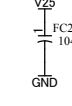
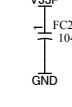
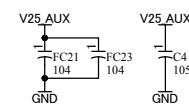
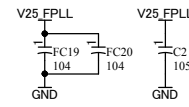
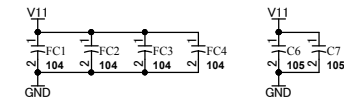
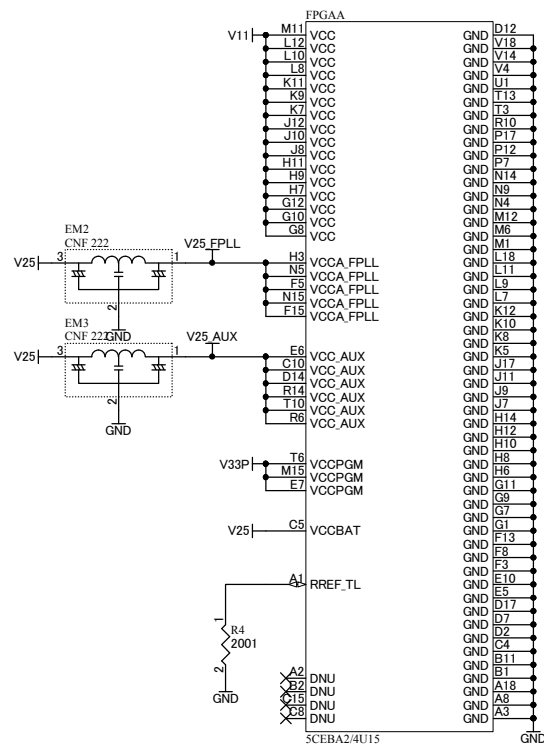
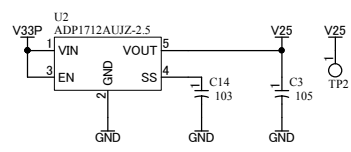
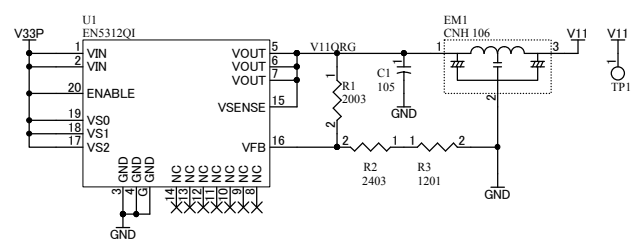
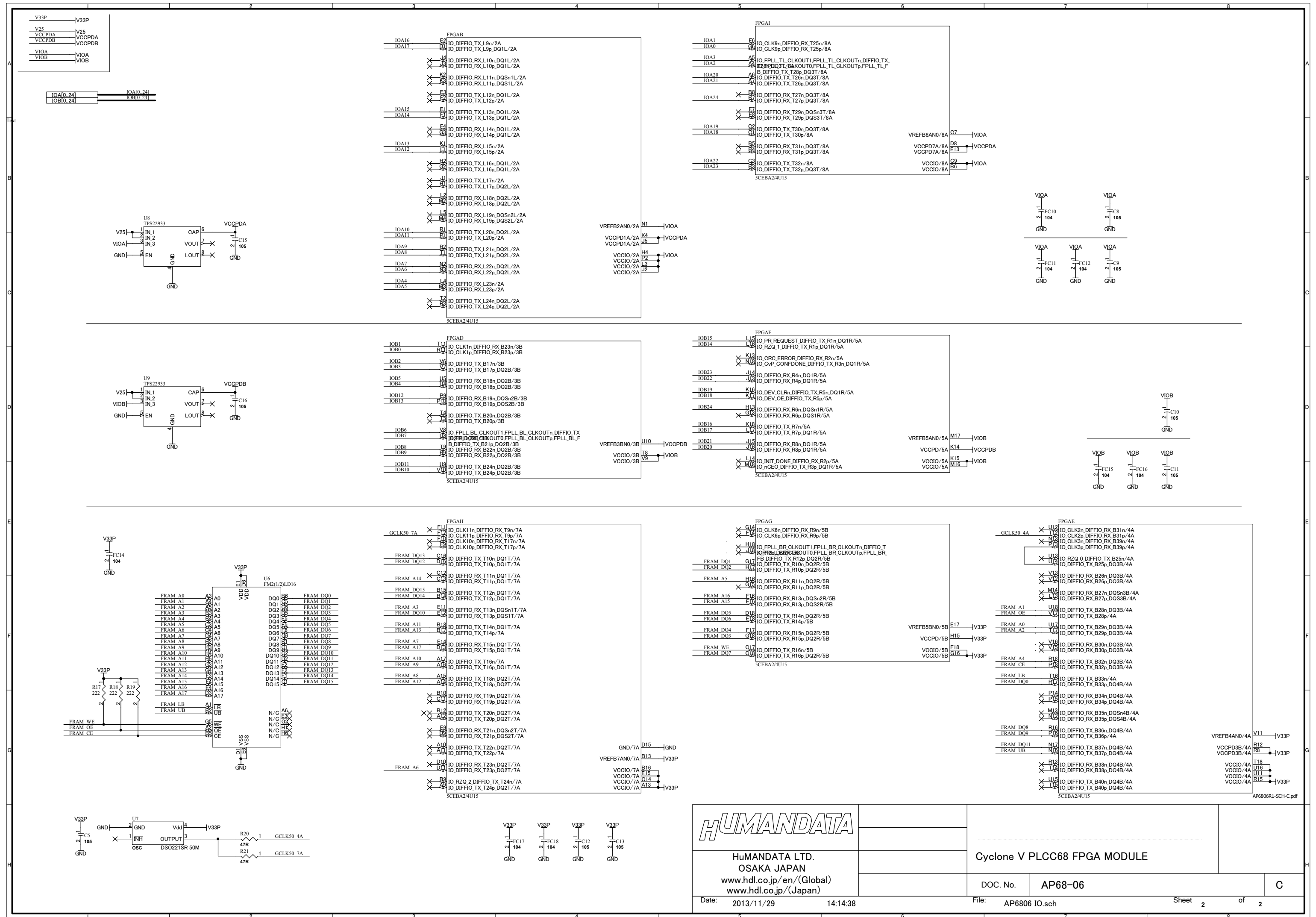


V33P	V33P
V11	V11
V25	V25
V25_FPLL	V25_FPLL
V25_AUX	V25_AUX
VIOA	VIOA
VIOB	VIOB



		Cyclone V PLCC68 FPGA MODULE	
Date: 2013/11/29	14:14:38	File: AP6806.sch	Sheet 1 of 2



		Cyclone V PLCC68 FPGA MODULE						
				DOC. No.	AP68-06			
Date:	2013/11/29	14:14:38	File:	AP6806_IO.sch	Sheet	2	of	2