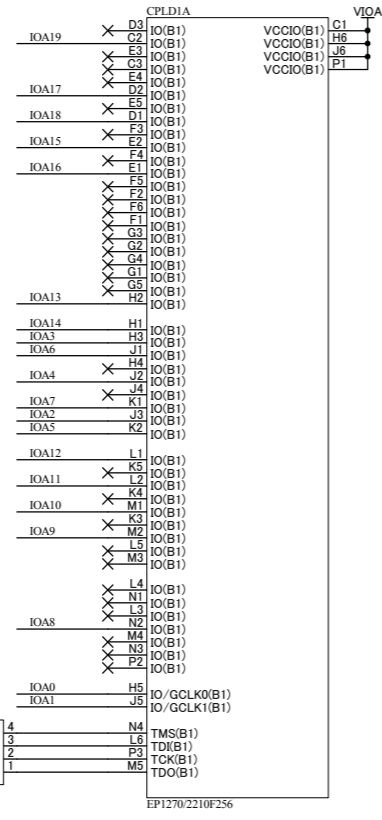
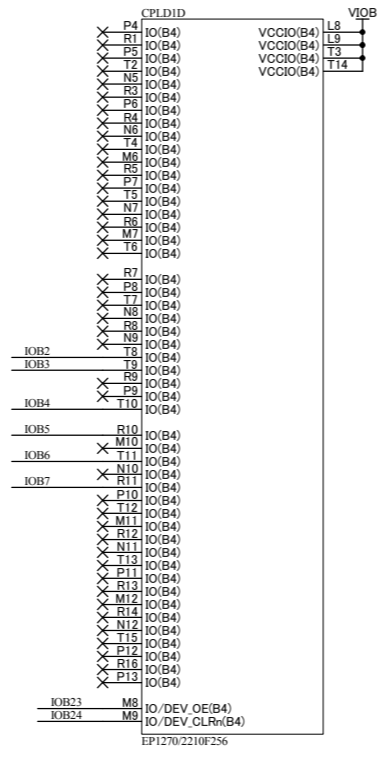
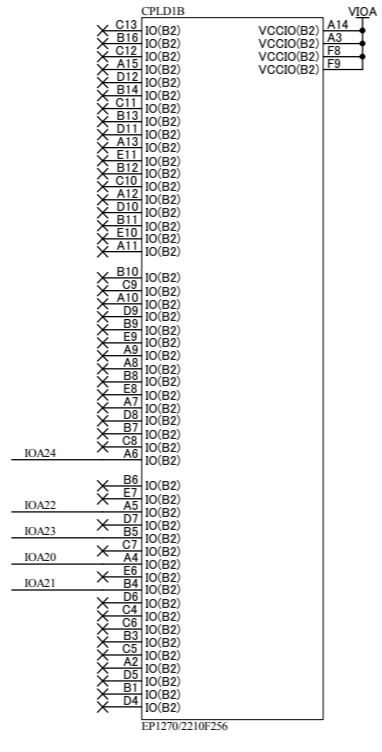


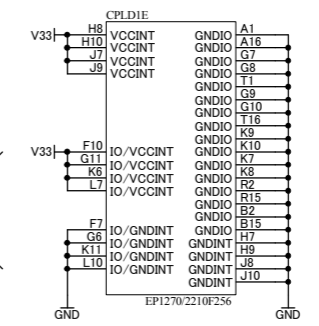
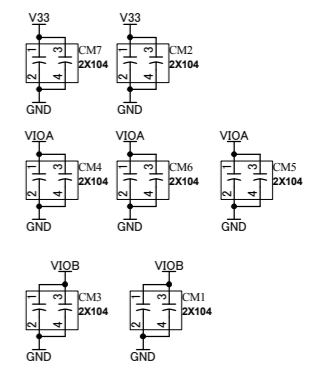
BANK Group B



BANK Group A



PLCC68PIN				
IOB0	1	IOA0/CLK	68	IOA0
IOB1	2	IOB1/CLK	67	IOA1
IOB2	3	IOA2	66	IOA2
IOB3	4	IOA3	65	IOA3
IOB4	5	IOA4	64	IOA4
IOB5	6	IOA5	63	IOA5
IOB6	7	IOA6	62	IOA6
IOB7	8	IOA7	61	IOA7
GND	9	GND	60	GND
GND	10	GND	59	IOA8
GND	11	GND	58	IOA9
IOB8	12	VIOB	57	IOA8
IOB9	13	IOB9	56	IOA9
IOB10	14	IOB10	55	IOA10
IOB11	15	IOB11	54	IOA11
IOB12	16	IOB12	53	IOA12
IOB13	17	IOB13	52	IOA13
IOB14	18	IOB14	51	IOA14
IOB15	19	IOB15	50	IOA15
IOB16	20	IOB16	49	IOA16
IOB17	21	IOB17	48	IOA17
IOB18	22	IOB18	47	IOA18
IOB19	23	IOB19	46	IOA19
IOB20	24	IOB20	45	IOA19
IOB21	25	IOB21	44	VIOA
GND	26	GND	43	GND
GND	27	GND	42	IOA20
GND	28	GND	41	IOA21
IOB22	29	VIOB	40	IOA22
IOB23	30	IOB23	39	IOA23
IOB24	31	IOB24	38	IOA24
X TDI	37	TDI	33	X TDO
X TMS	34	TMS	36	V33P
X TCK	32	TCK	35	V33P



@EPM1270 device  
These pins are connected to Power pins.  
You need to set them as INPUT.



HUMAN DATA LTD.  
OSAKA JAPAN  
www.hdl.co.jp/en/(Global)  
www.hdl.co.jp/(Japan)

MAX II PLCC68 MODULE

DOC. No. AP68-05

Date: 11-Oct-2012 13:05:23

File: AP6805A.sch

Sheet 1 of 1

A