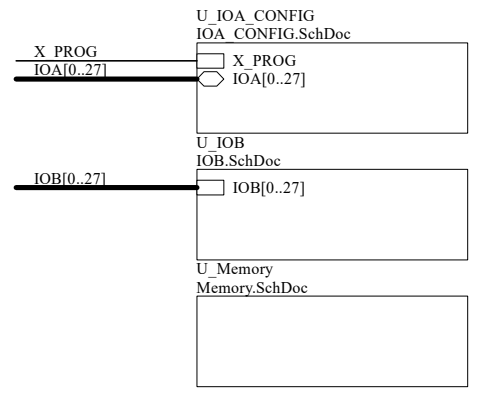
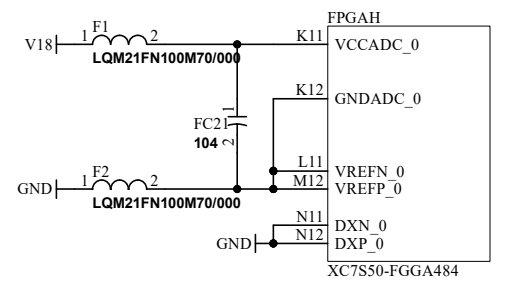
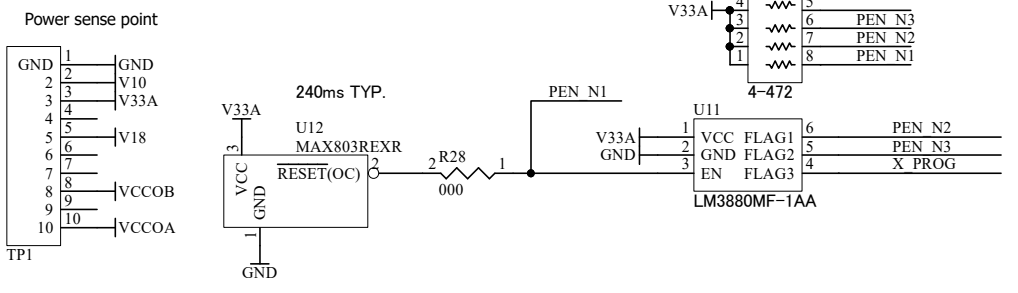
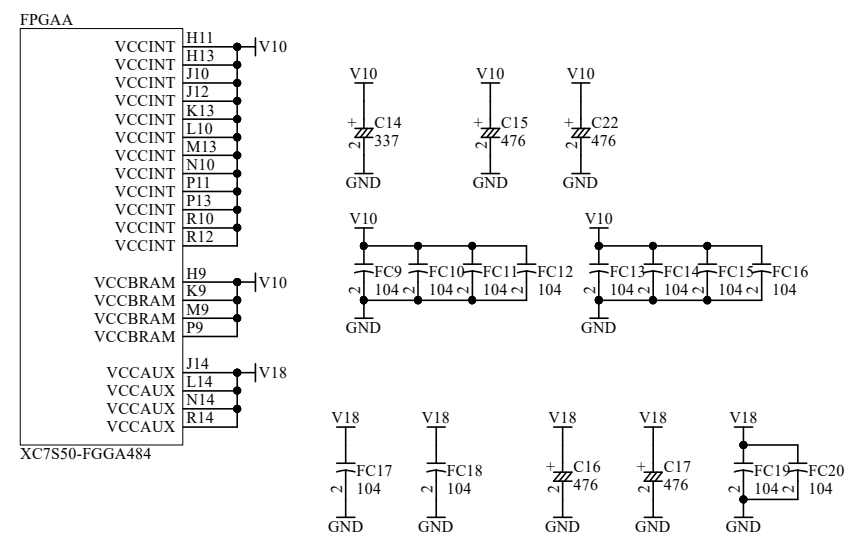
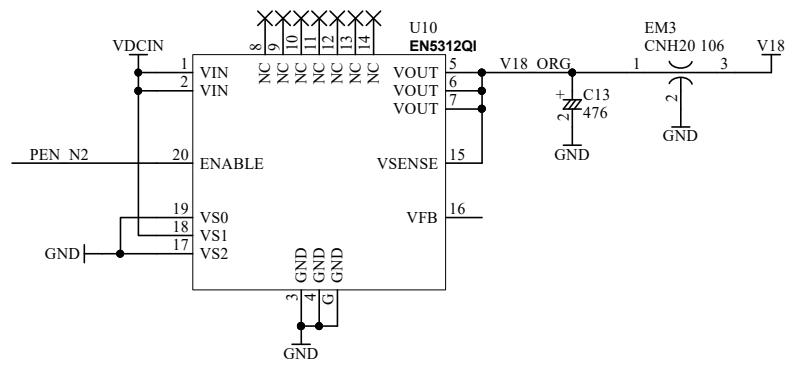


CNA	CNB
V33CN	V33
V33CN	V33
V50CN	V50
V50CN	V50
GND	GND
GND	GND
IOA0	IOB0
IOA1	IOB1
IOA2	IOB2
IOA3	IOB3
IOA4	IOB4
IOA5	IOB5
IOA6	IOB6
IOA7	IOB7
GND	GND
GND	GND
IOA8	IOB8
IOA9	IOB9
IOA10	IOB10
IOA11	IOB11
IOA12	IOB12
IOA13	IOB13
IOA14	IOB14
IOA15	IOB15
GND	GND
GND	GND
IOA16	IOB16
IOA17	IOB17
IOA18	IOB18
IOA19	IOB19
IOA20	IOB20
IOA21	IOB21
IOA22	IOB22
IOA23	IOB23
GND	GND
GND	GND
IOA24	IOB24
IOA25	IOB25
IOA26	IOB26
IOA27	IOB27
GND	GND
GND	GND

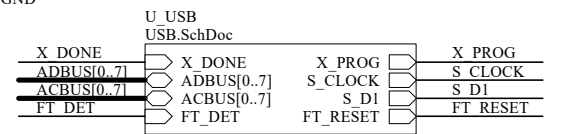
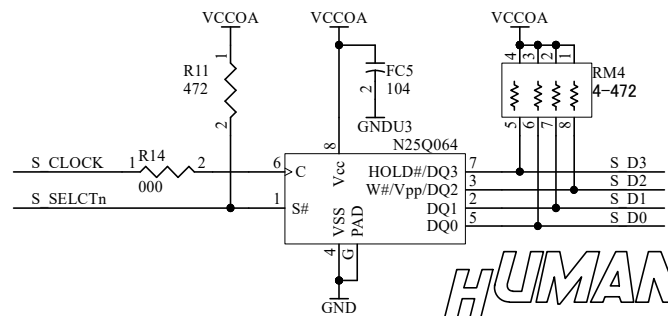
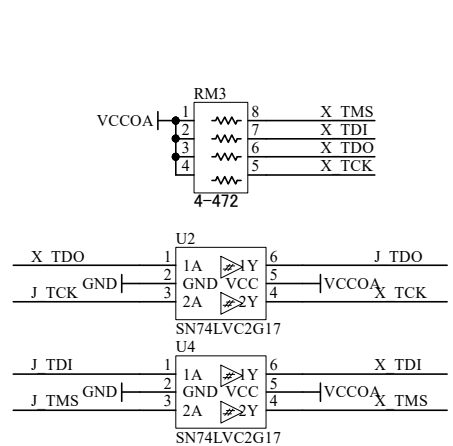
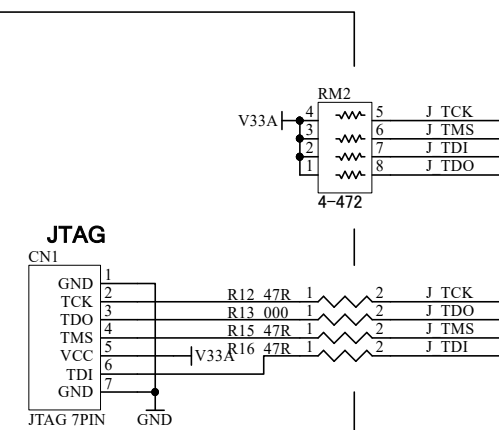
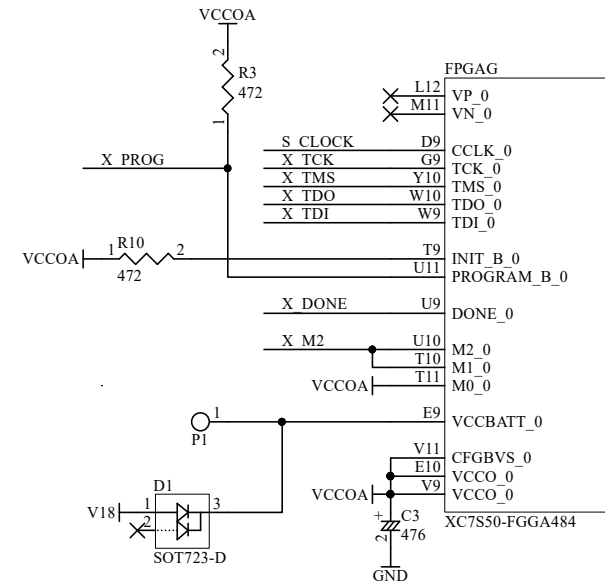
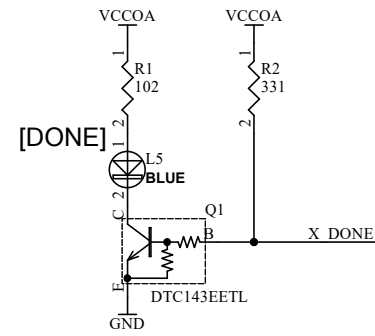
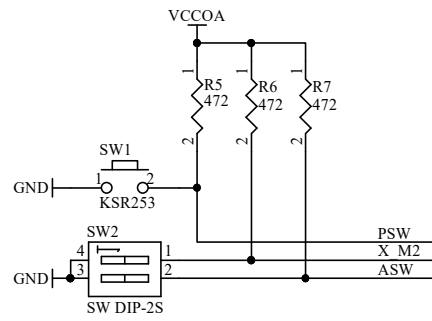
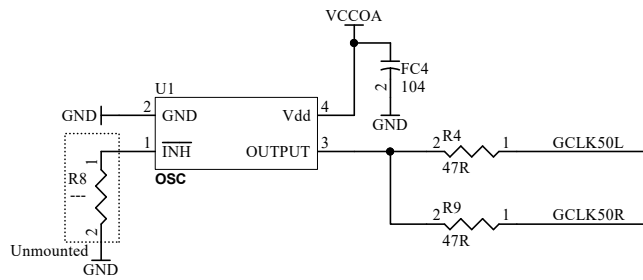
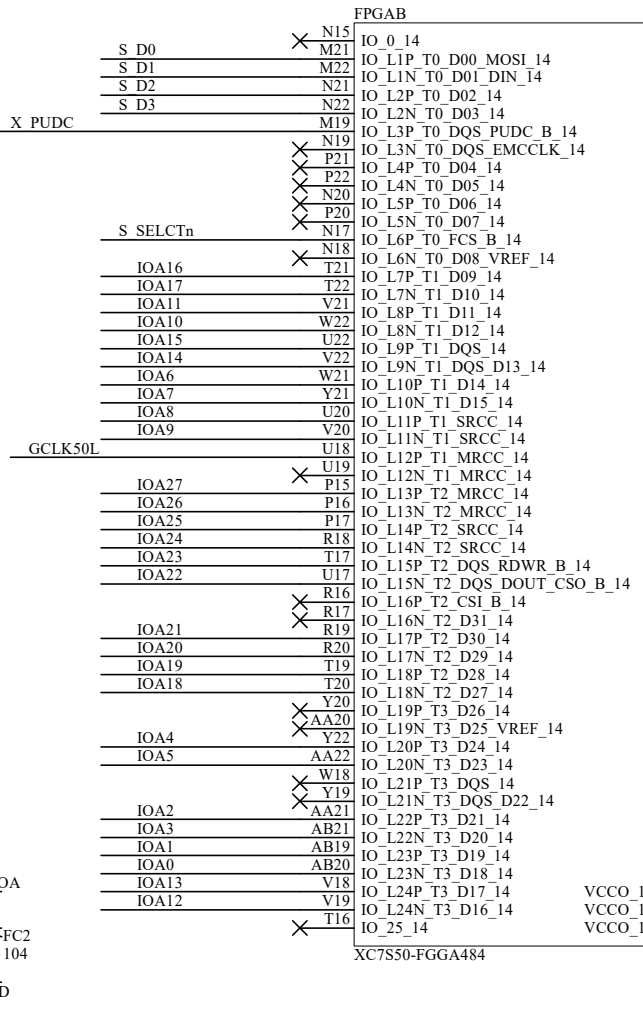
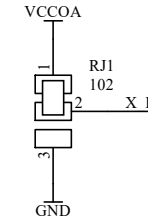
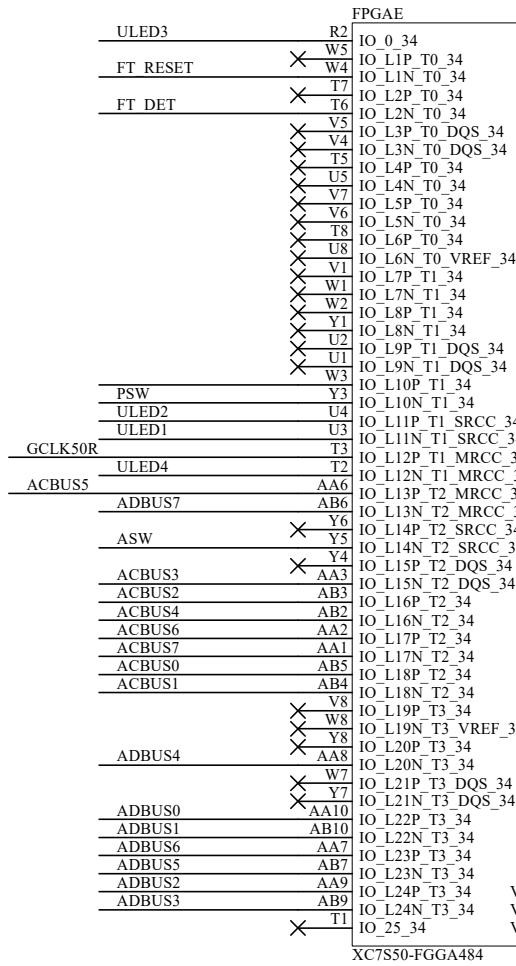
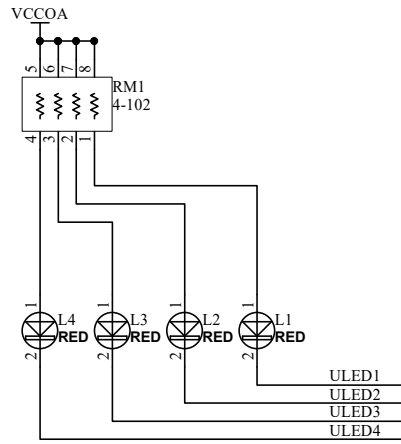
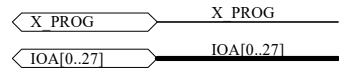
Comment: DIL 40DIL 40



HUMAN DATA
HuMANDATA LTD.
www.hdl.co.jp

DSN:	TITLE: Spartan-7 FGGA484 USB-FPGA Board
DOC. No:	EDX-303
FILE: EDX303C.SchDoc	DATE: 2017/11/21 9:46:49
Sheet:	1 / 5

EDX303R1-SCH-C.pdf

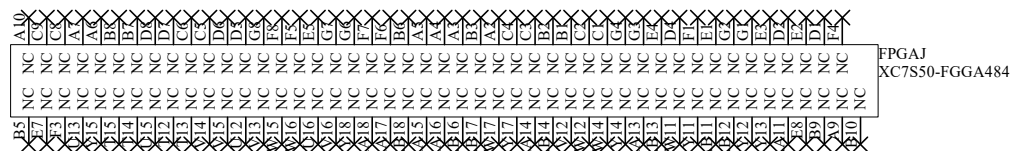
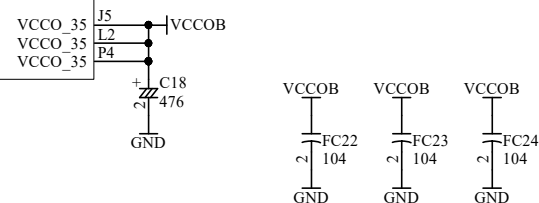
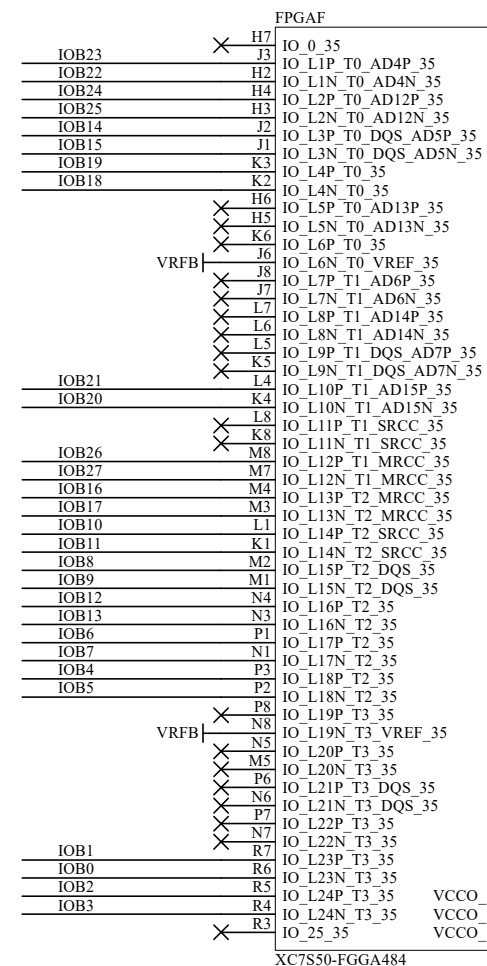
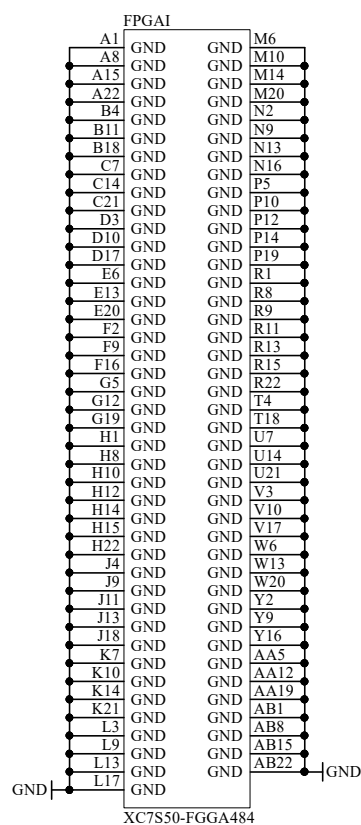
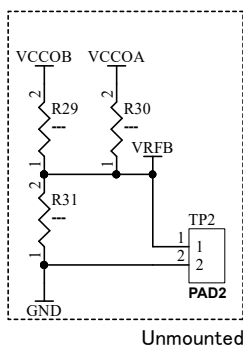


HUMAN DATA
HuMANDATA LTD.
www.hdl.co.jp

DSN:	TITLE: Spartan-7 FGGA484 USB-FPGA Board
DOC. No:	EDX-303
FILE: IOA_CONFIG.SchDoc	DATE: 2017/11/21 9:46:49
Sheet: 2 / 5	

EDX303R1-SCH-C.pdf

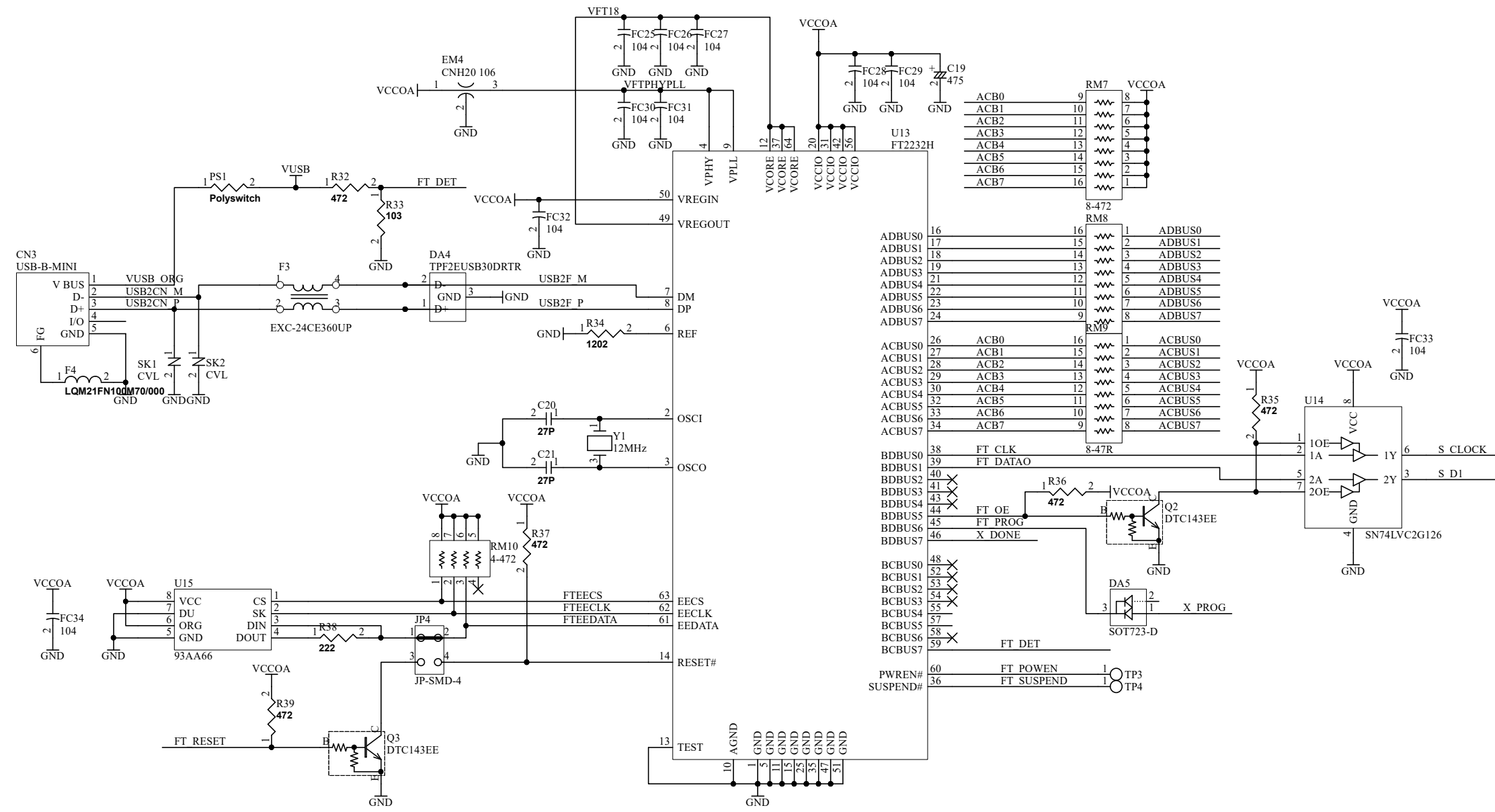
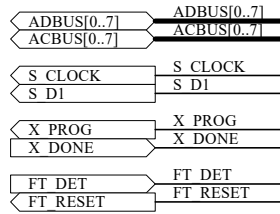
IOB[0..27] IOB[0..27]



EDX303R1-SCH-C.pdf

HUMAN DATA
HuMANDATA LTD.
www.hdl.co.jp

DSN:	TITLE: Spartan-7 FGGA484 USB-FPGA Board
DOC. No:	EDX-303
FILE: IOB.SchDoc	DATE: 2017/11/21 9:46:50
Sheet: 4 / 5	C



DSN:	TITLE: Spartan-7 FGGA484 USB-FPGA Board
DOC. No:	EDX-303
FILE: USB.SchDoc	DATE: 2017/11/21 9:46:51
Sheet: 3 / 5	C