

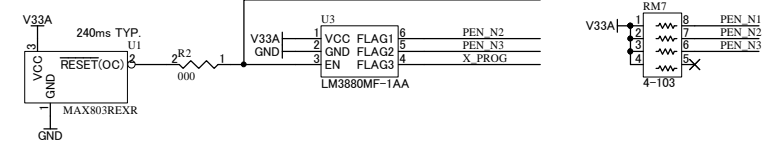
EDX008R1-SCH-B.pdf

		HuMANDATA LTD. OSAKA JAPAN www.hdl.co.jp/en/ (Global) www.hdl.co.jp/ (Japan)		KINTEX-7 FBG484 USB-FPGA board	
Date:	2014/06/19	17:16:28	File:	EDX008.sch	Sheet 1 of 4

Power sense point

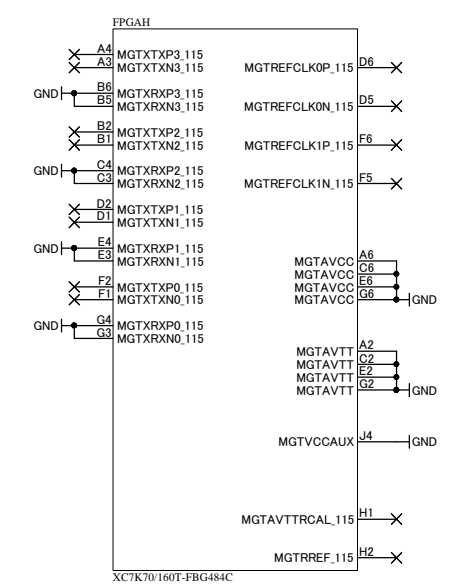
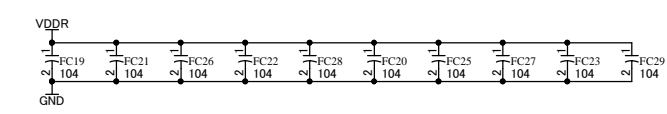
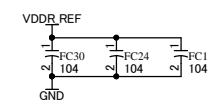
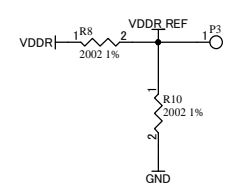
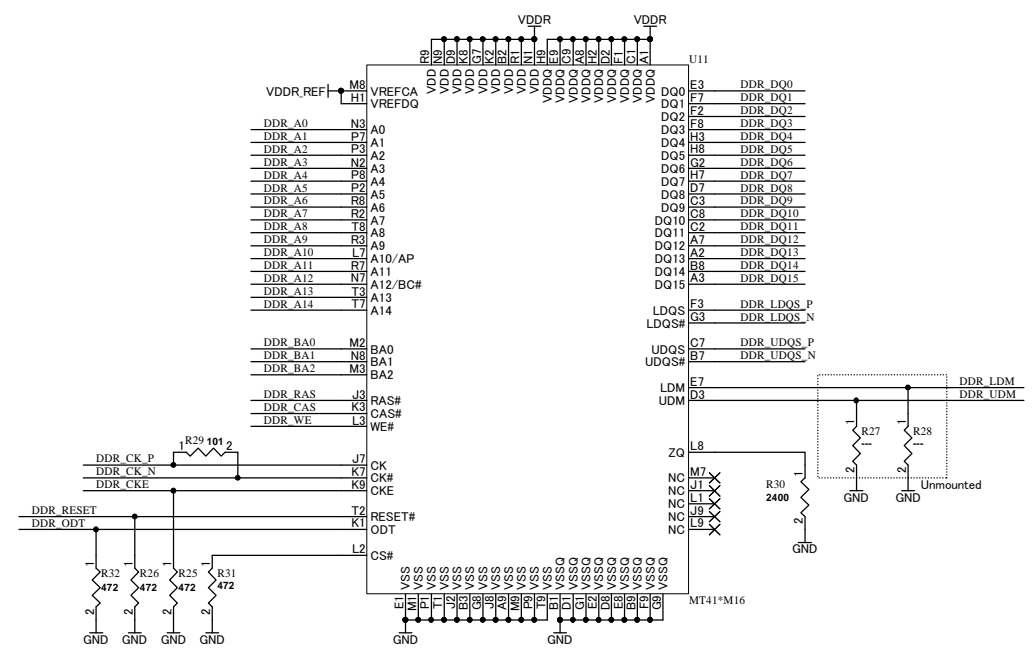
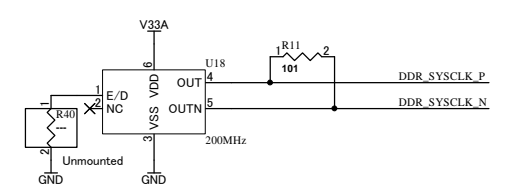
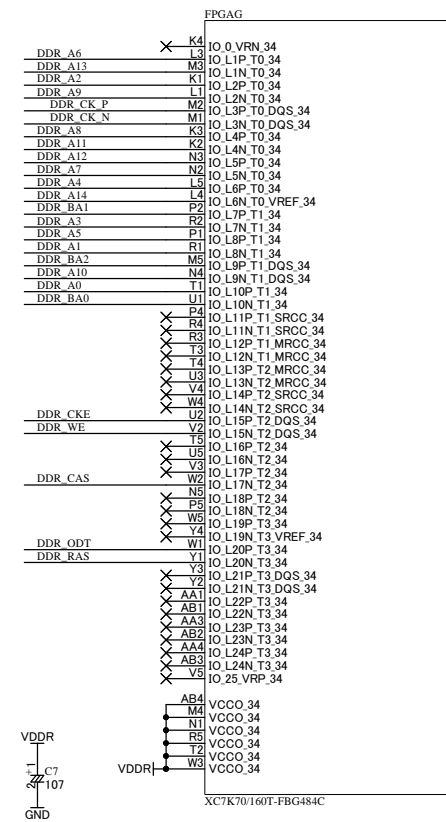
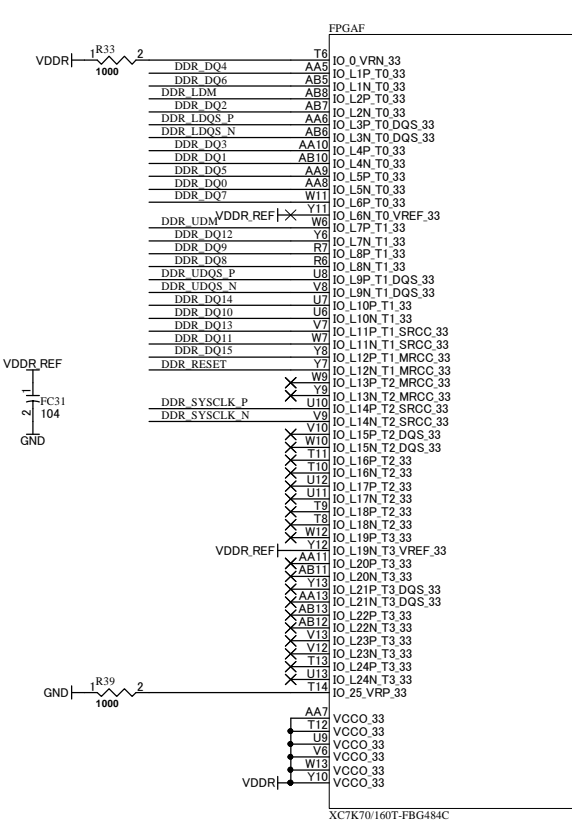
1	GND
2	V50CN
3	V33A
4	VCCINT_10
5	VCCAUX_18
6	VCCOA
7	VCCOB
8	VDDR
9	V_USB
10	GND

HEADER10



VCCOB	VCCOB
VCCOA	VCCOA
VIO(B)	VIO(B)
V33A	V33A
V25	V25
GND	GND

VCCINT_10	VCCINT_10
VCCAUX_18	VCCAUX_18



HuMANDATA LTD.
OSAKA JAPAN
www.hdl.co.jp/en/(Global)
www.hdl.co.jp/(Japan)

KINTEX-7 FBG484 USB-FPGA board

DOC. No. EDX-008

B

Date: 2014/06/19 17:16:28

File: DDR3.sch

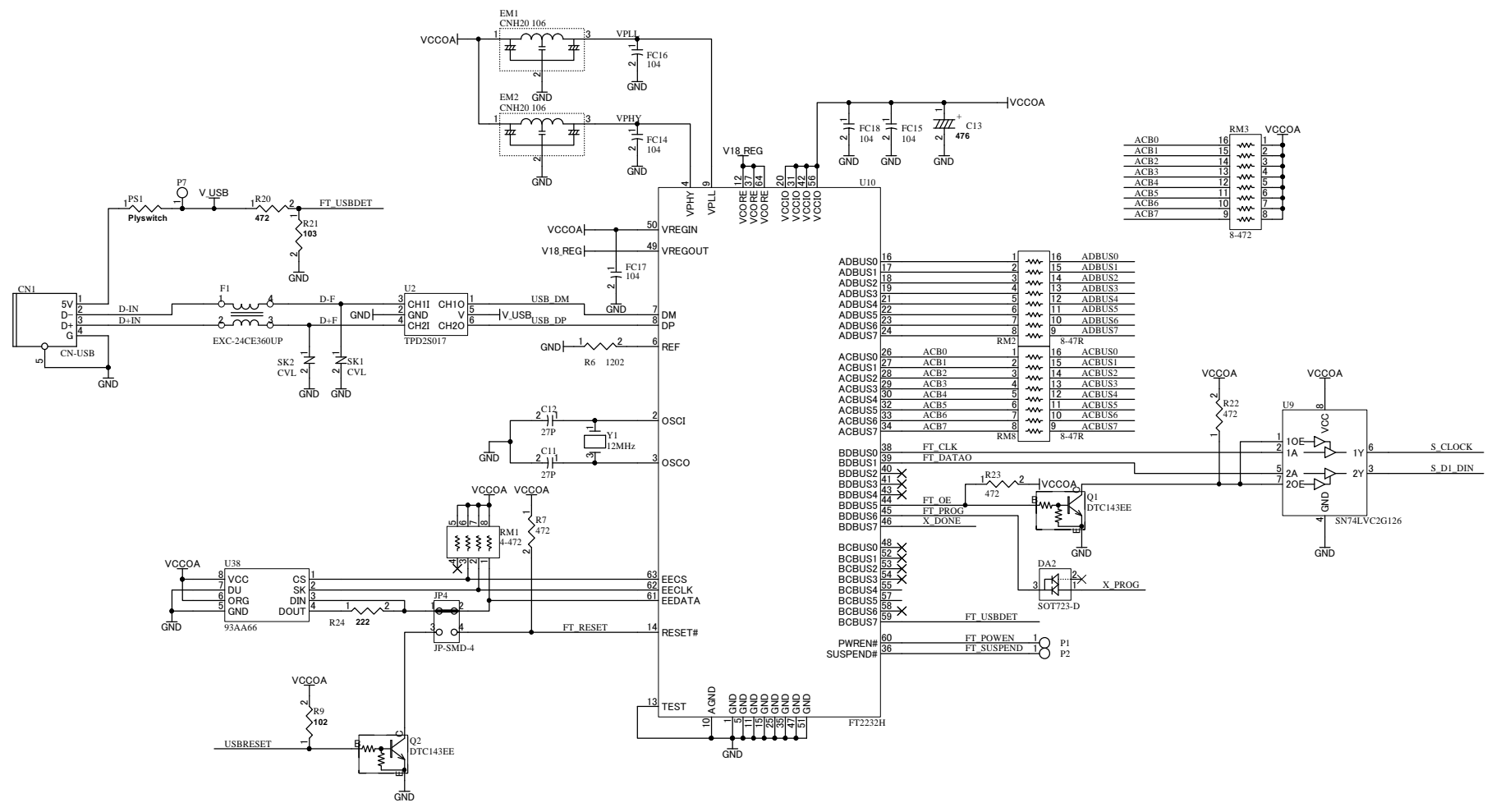
Sheet 3 of 4

EDX008R1-SCH-B.pdf

VCCOB	VCCOB	VCCINT_10	VCCINT_10
VCCOA	VCCOA	VCCAUX_18	VCCAUX_18
VIO(B)	VIO(B)		
V33A	V33A		
V25	V25		
GND	GND		
		V_USB	V_USB

ADBUS0_7	ADBUS0_7
ACBUS0_7	ACBUS0_7

S_CLOCK	S_CLOCK
S_DI_DIN	S_DI_DIN
X_PROG	X_PROG
X_DONE	X_DONE
USBRESET	USBRESET



		KINTEX-7 FBG484 USB-FPGA board							
				DOC. No.	EDX-008				
Date:	2014/06/19	17:16:28	File:	USBIF.sch	Sheet	4	of	4	B