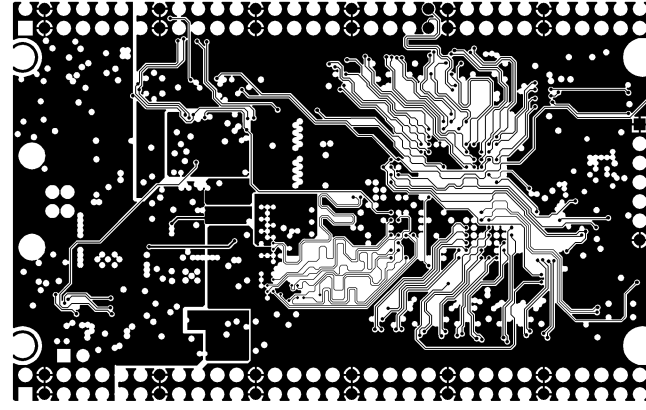
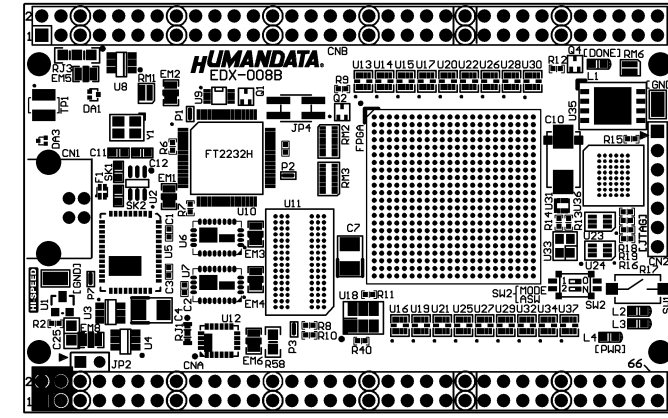


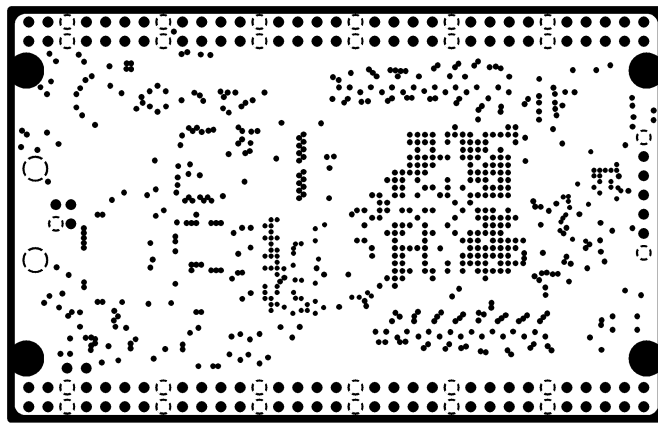
TOP LAYER



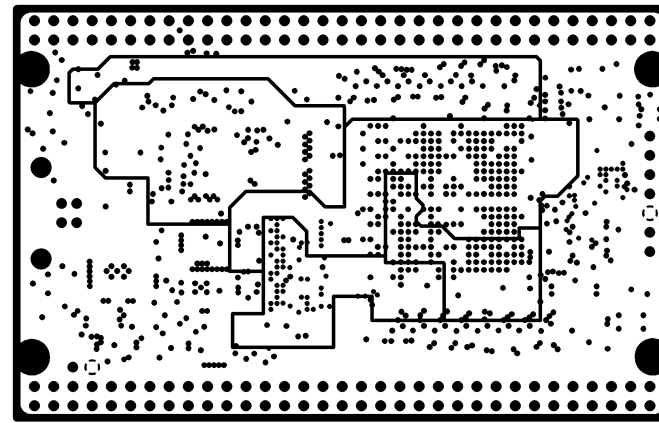
MID LAYER2



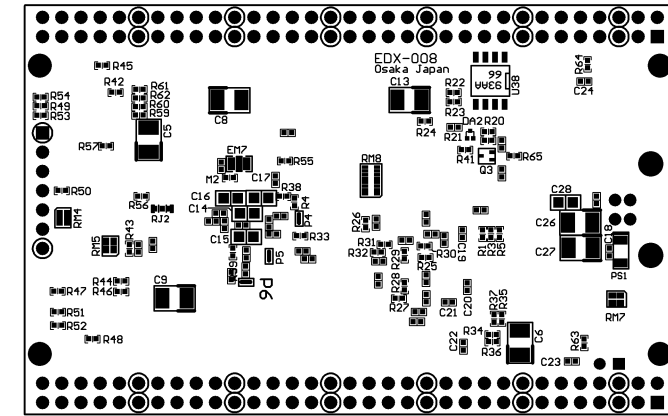
Component Side



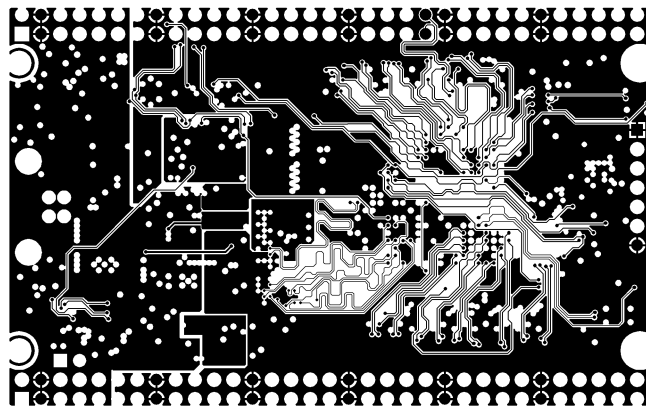
INTERNAL PLANE(GND)



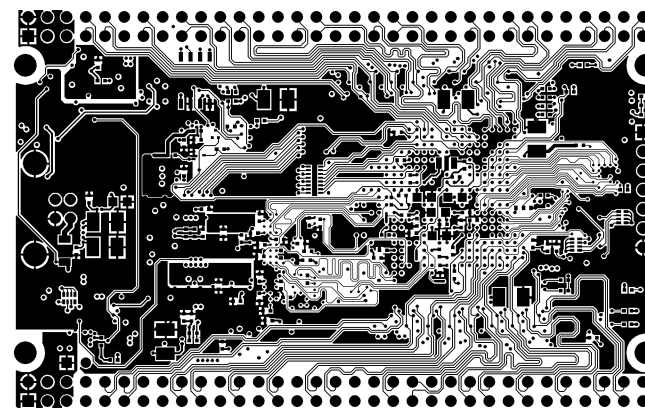
INTERNAL PLANE(VCC)



Solder Side



MID LAYER1



BOTTOM LAYER

HUMANDATA		UNIT mm	TITLE EDX-008B PCB drawing	
CHK	DWG	SCALE 1/1	DWG NO. PCB-EDX-008	REV A
	