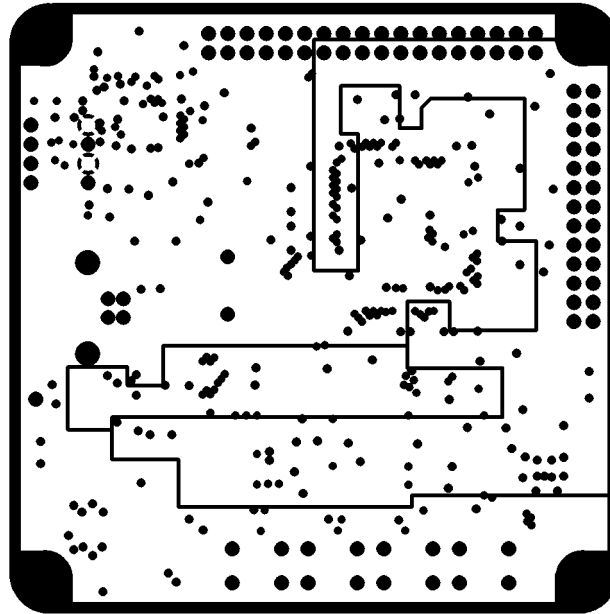
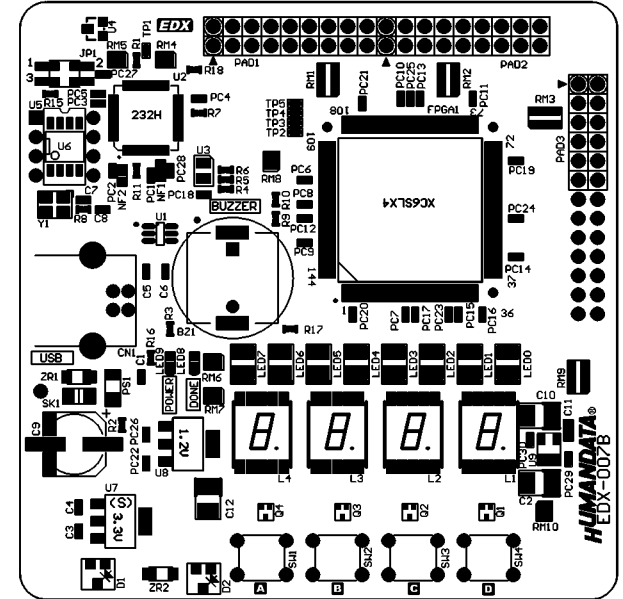


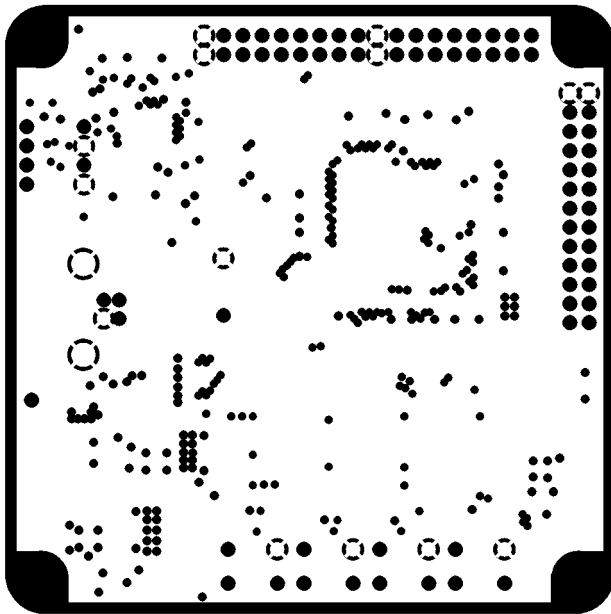
TOP LAYER



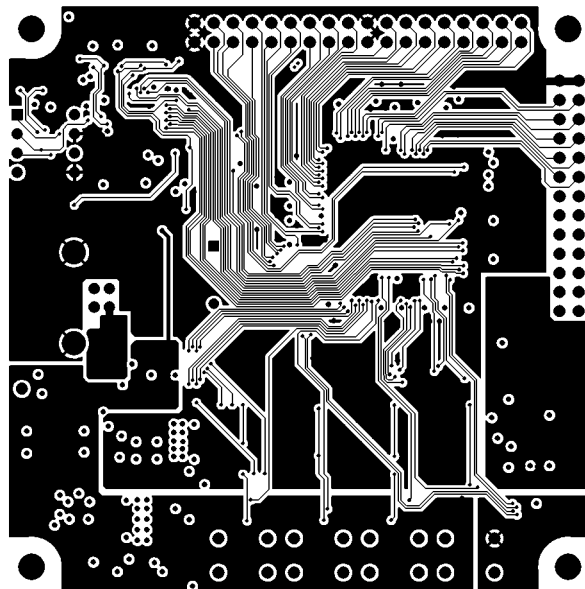
INTERNAL PLANE2



Component Side



INTERNAL PLANE1



BOTTOM LAYER

<b>HUMAN DATA</b>		UNIT	TITLE	
		mm	EDX-007B PCB drawing	
CHK	DWG	SIZE	DWG NO	REV
		1/1	PCB-EDX-007	A

