

FPGA

F17	GND
C5	GND
A11	GND
A21	GND
AA1	GND
AA3	GND
AA4	GND
AA6	GND
AB1	GND
AB14	GND
AB2	GND
AB9	GND
B1	GND
B14	GND
B2	GND
B9	GND
C17	GND
C3	GND
C4	GND
D1	GND
D10	GND
D2	GND
D20	GND
D5	GND
E13	GND
E4	GND
F1	GND
F2	GND
F6	GND
G19	GND
G3	GND
G4	GND
G9	GND
H1	GND
H12	GND
H2	GND
H22	GND
H4	GND
H7	GND
J15	GND
J20	GND
J3	GND
J5	GND
J9	GND
K1	GND
K10	GND
K12	GND
K14	GND
K2	GND
K4	GND
K8	GND
L11	GND
L13	GND
L21	GND
L3	GND
L5	GND
M1	GND
M10	GND
M12	GND
M14	GND
M2	GND
M4	GND
N11	GND
N13	GND
N15	GND
N17	GND
N22	GND
N3	GND
N5	GND
N7	GND
N9	GND
P1	GND
P10	GND
P4	GND
R13	GND
R3	GND
T1	GND
T16	GND
T12	GND
T21	GND
U3	GND
W3	GND
W4	GND
Y1	GND
Y18	GND
Y2	GND
Y5	GND
GND	SCEFA9F23

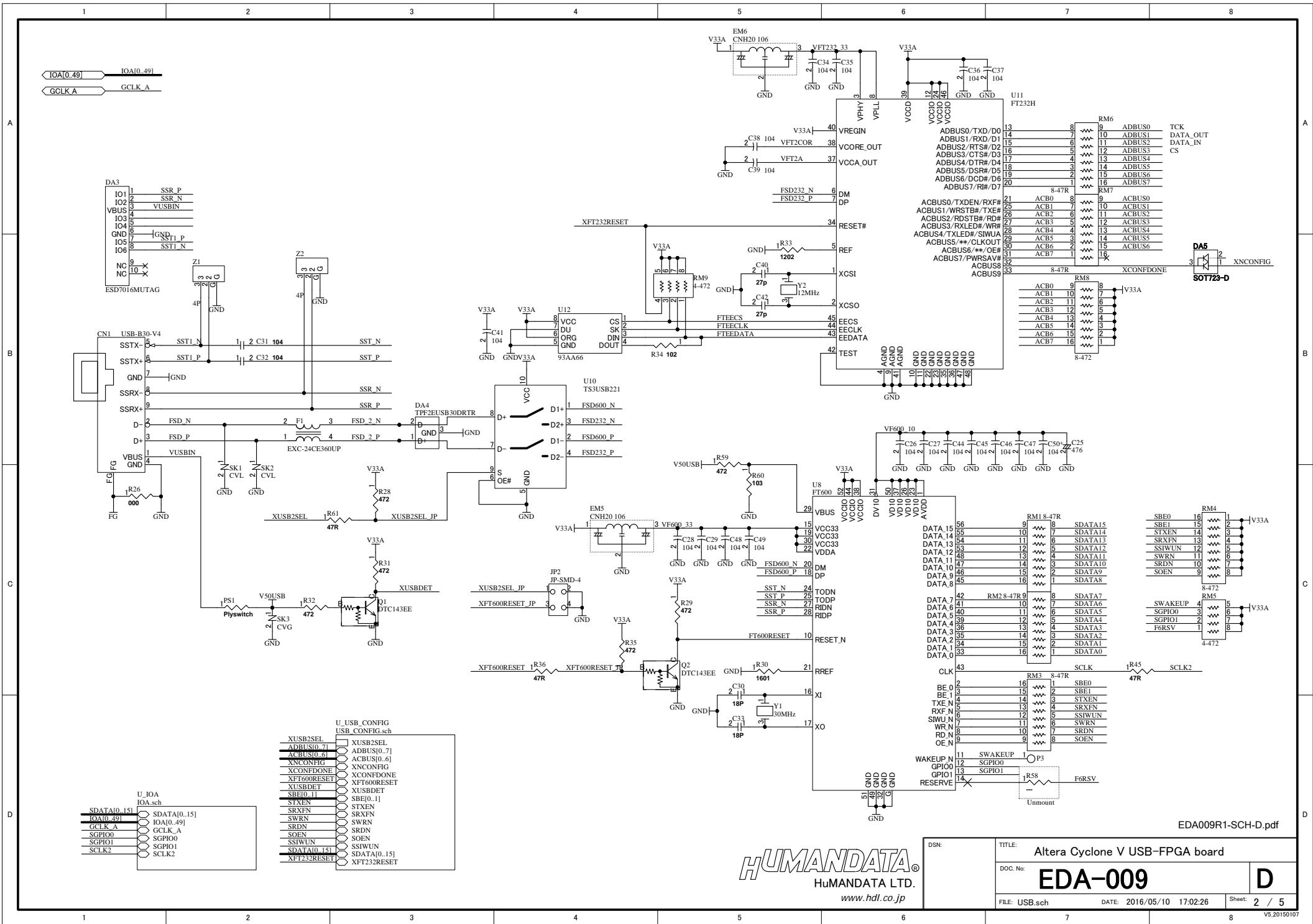
EDA009R1-SCH-D.pdf

DSN: TITLE: Altera CycloneV USB-FPGA board

DOC. No: EDA-009

FILE: EDA009D.sch DATE: 2016/05/10 17:02:26 Sheet: 1 / 5





IOA[0..49] → IOA[0..49]  
 GCLK A → GCLK A

DA3  
 IO1 SSR\_P  
 IO2 SSR\_N  
 VBUS YUSBIN  
 IO3  
 IO4  
 GND GND\_P  
 IO5 SST1\_P  
 IO6 SST1\_N  
 NC  
 NC

CN1 USB-B30-V4  
 SSTX-  
 SSTX+  
 GND  
 SSRX-  
 SSRX+  
 D-  
 D+  
 VBUS  
 GND

U\_IOA IOA.sch  
 SDATA[0..15]  
 IOA[0..49]  
 GCLK A  
 SGPIO0  
 SGPIO1  
 SCLK2

U\_USB\_CONFIG USB\_CONFIG.sch  
 XUSB2SEL  
 ADBUS[0..7]  
 ACBUS[0..6]  
 XNCONFIG  
 XCONFDONE  
 XFT600RESET  
 XUSBDETT  
 XUSBDET  
 SBE[0..1]  
 STXEN  
 SRXFN  
 SWRN  
 SRDN  
 SOEN  
 SSIWUN  
 SDATA[0..15]  
 XFT232RESET

EDA009R1-SCH-D.pdf

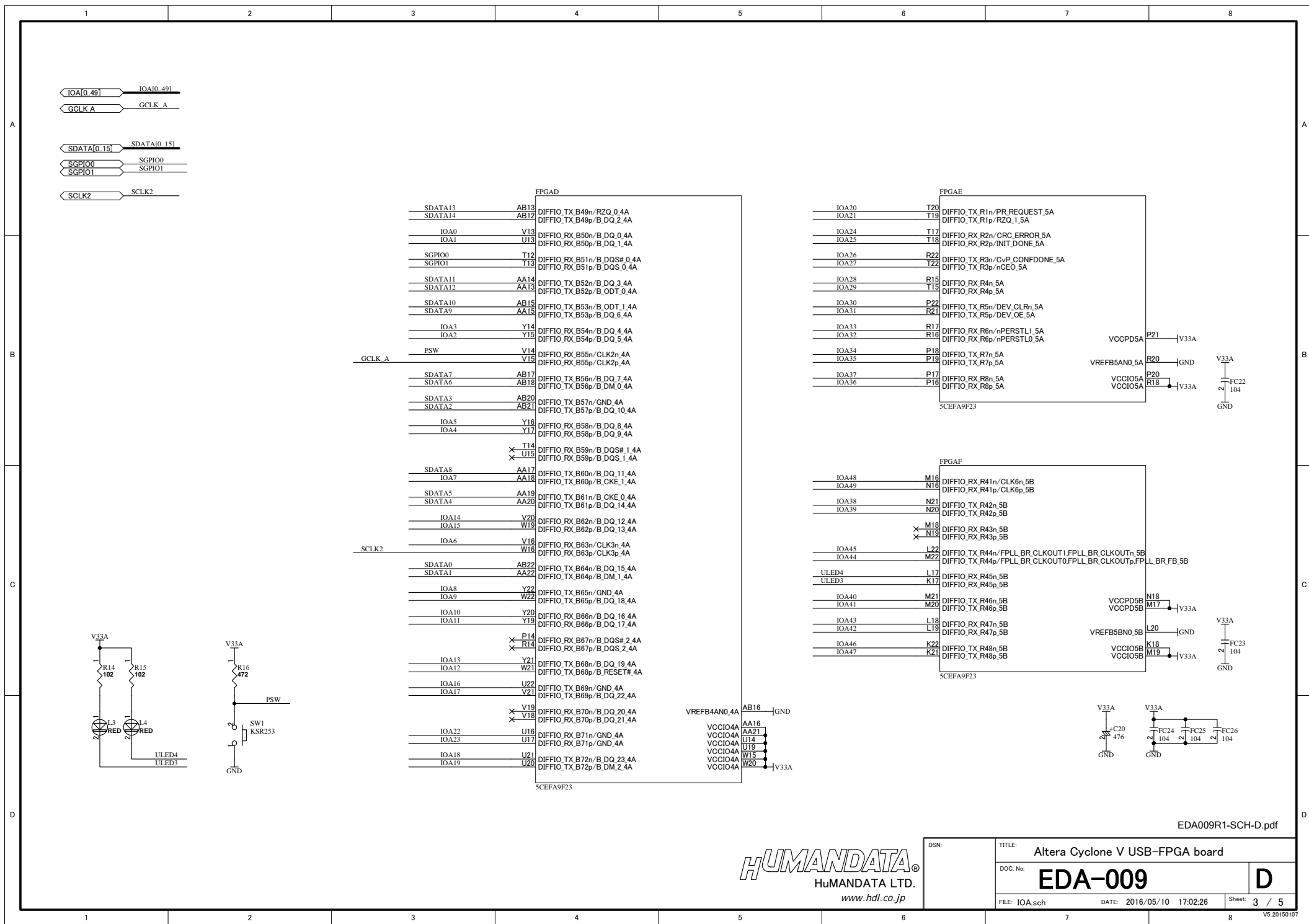
DSN: TITLE: Altera Cyclone V USB-FPGA board

DOC. No: EDA-009

FILE: USB.sch DATE: 2016/05/10 17:02:26 Sheet: 2 / 5

V5.20150107

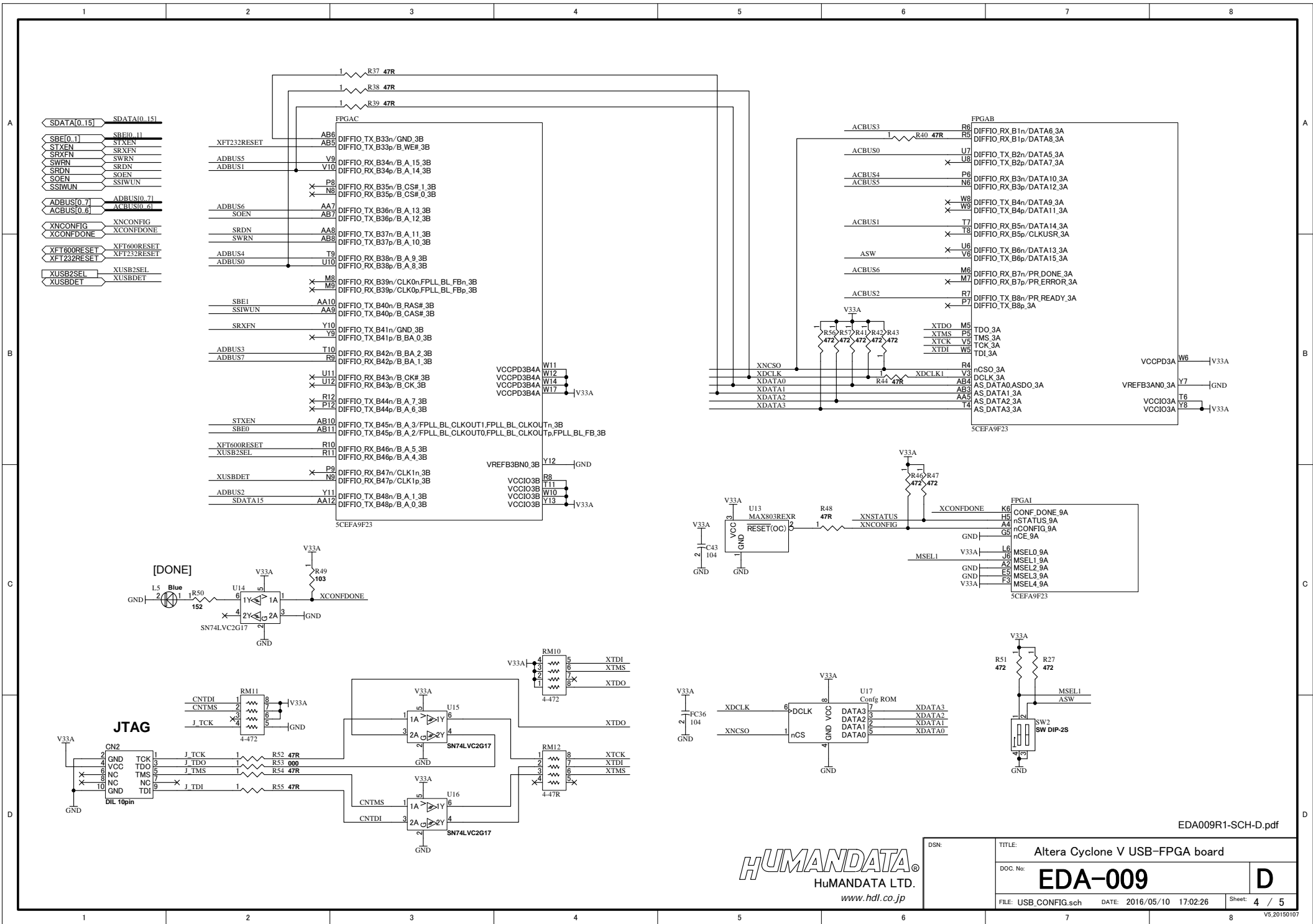




EDA009R1-SCH-D.pdf

**HUMAN DATA**  
 HuMANDATA LTD.  
 www.hdl.co.jp

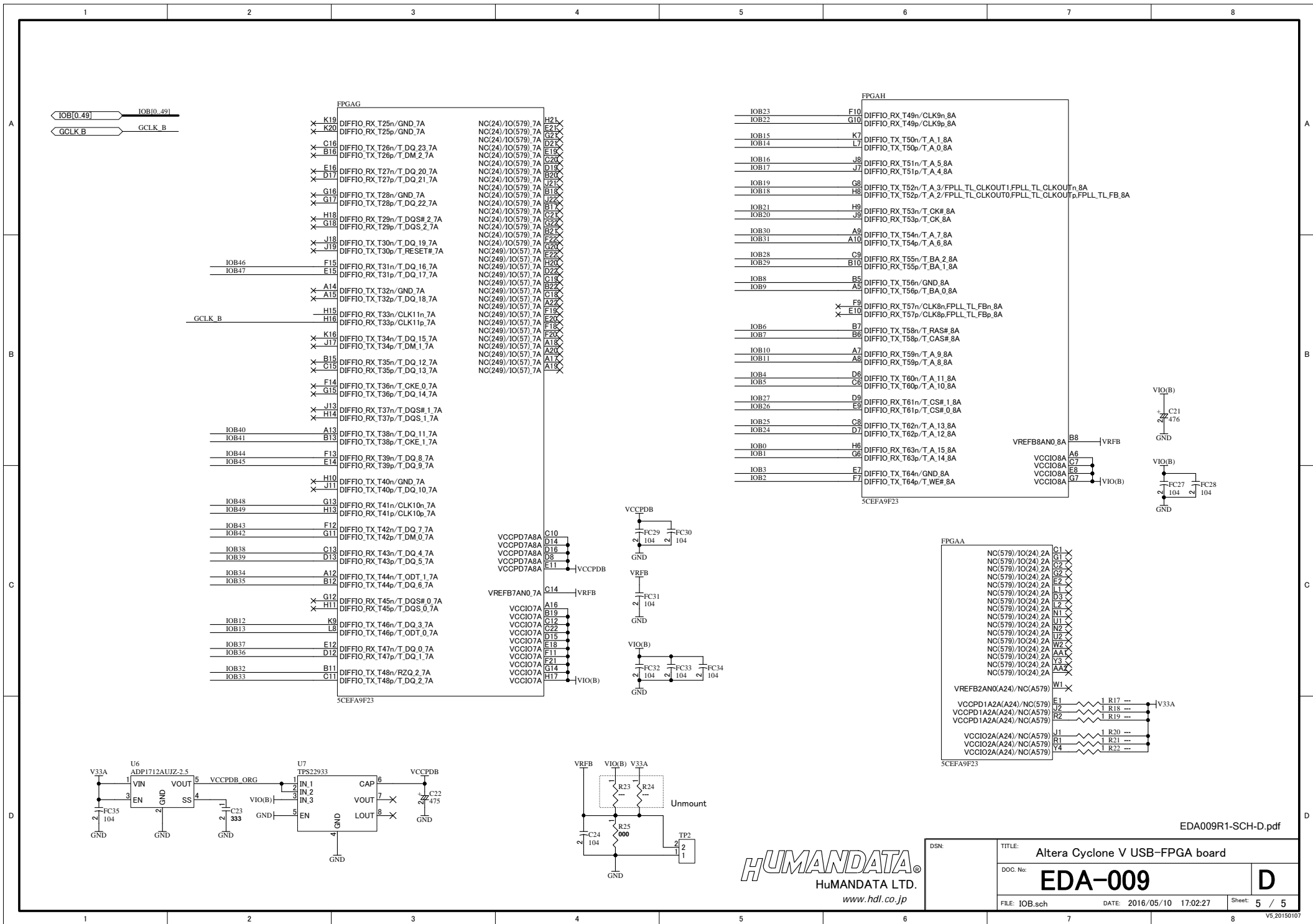
DSN:	TITLE: Altera Cyclone V USB-FPGA board
DOC. No:	<b>EDA-009</b>
FILE: IOA.sch	DATE: 2016/05/10 17:02:26
Sheet: 3 / 5	<b>D</b>



EDA009R1-SCH-D.pdf



DSN:	TITLE: Altera Cyclone V USB-FPGA board
DOC. No: EDA-009	D
FILE: USB_CONFIG.sch	DATE: 2016/05/10 17:02:26
Sheet: 4 / 5	



EDA009R1-SCH-D.pdf



DSN:	TITLE: Altera Cyclone V USB-FPGA board
DOC. No:	<b>EDA-009</b>
FILE: IOB.sch	DATE: 2016/05/10 17:02:27 Sheet: 5 / 5