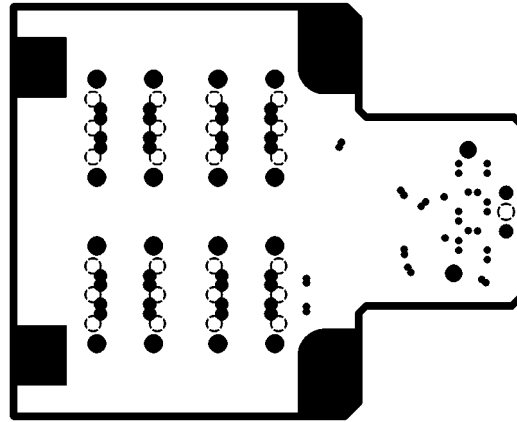
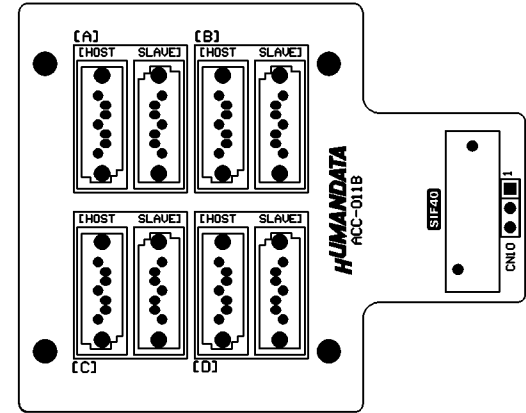


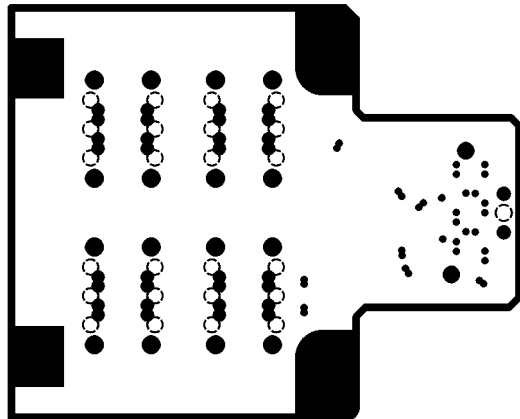
TOP LAYER



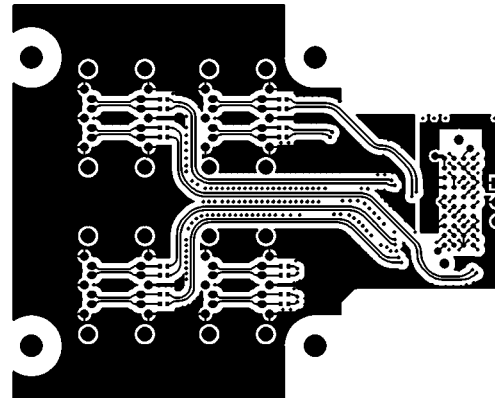
INTERNAL PLANE2



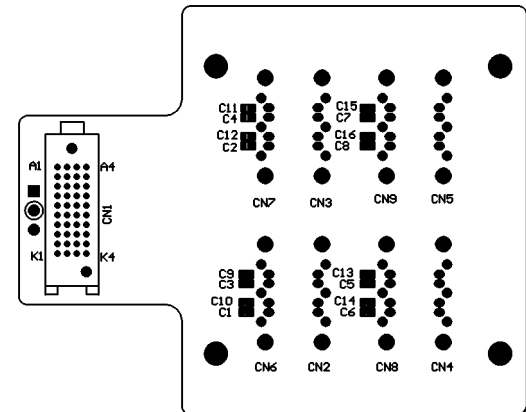
Component Side



INTERNAL PLANE1



BOTTOM LAYER



Solder Side

HUMANDATA		UNIT	TITLE	
CHK	DWG		ACC-011B PCB drawing	
		SIZE	DWG NO	REV
			PCB-ACC-011	A