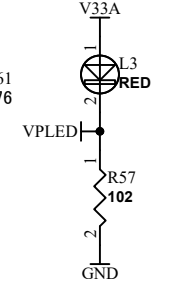
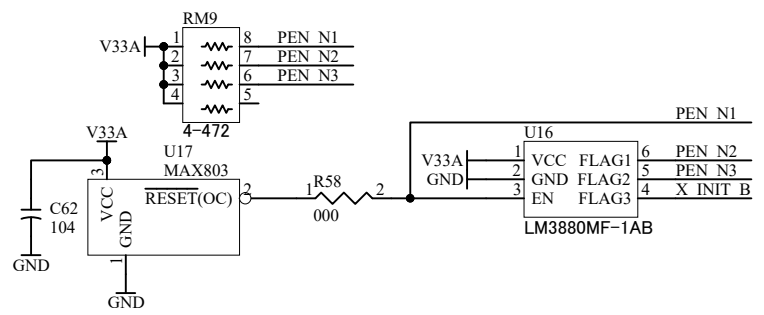
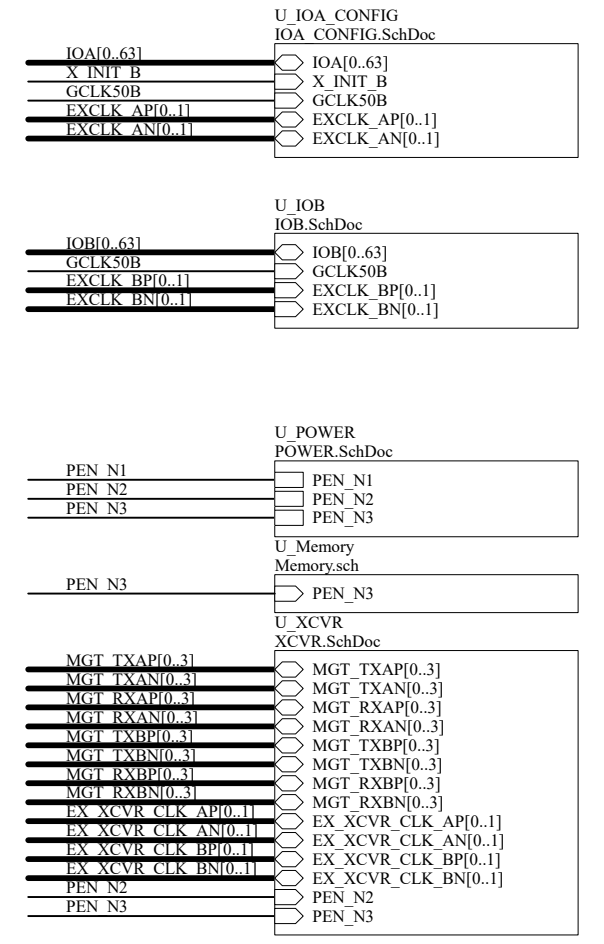
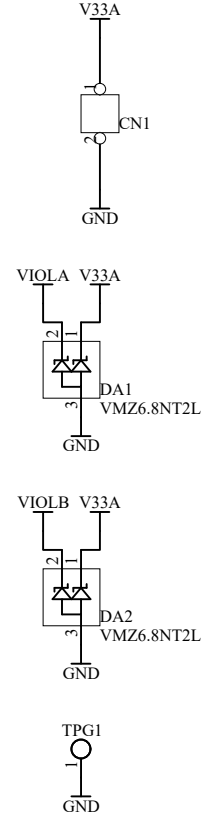
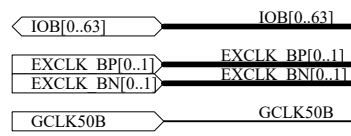


[POWER]

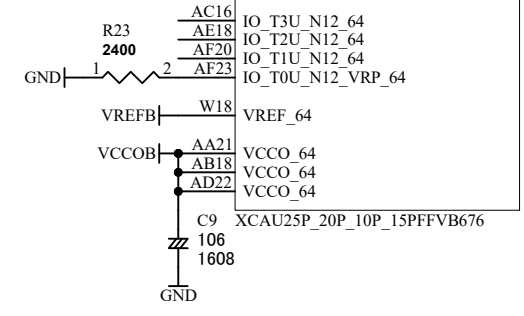


[FAN-PWR]

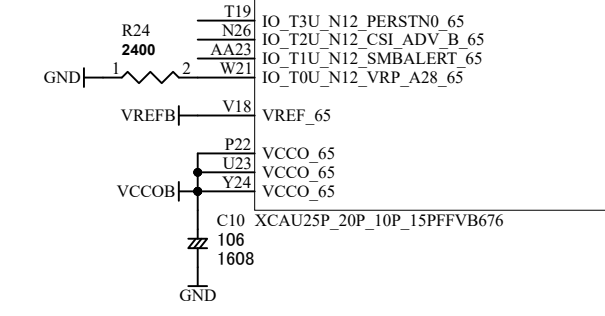




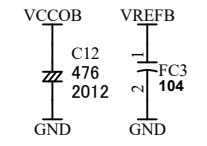
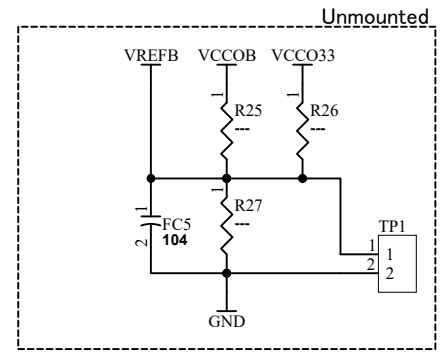
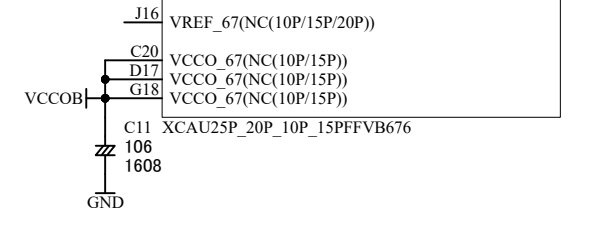
IOB		FPGA	
IOB3	AA18	IO L24N T3U N11 64	
IOB2	Y18	IO L24P T3U N10 64	
IOB1	AA17	IO L23N T3U N9 64	
IOB0	Y17	IO L23P T3U N8 64	
IOB49	AC17	IO L22N T3U N7 DBC AD0N 64	
IOB48	AB17	IO L22P T3U N6 DBC AD0P 64	
IOB7	AB20	IO L21N T3L N5 AD8N 64	
IOB6	AA20	IO L21P T3L N4 AD8P 64	
IOB5	AB19	IO L20N T3L N3 AD1N 64	
IOB4	AA19	IO L20P T3L N2 AD1P 64	
	Y21	IO L19N T3L N1 DBC AD9N 64	
	Y20	IO L19P T3L N0 DBC AD9P 64	
IOB47	AE16	IO L18N T2U N11 AD2N 64	
IOB46	AD16	IO L18P T2U N10 AD2P 64	
IOB33	AF17	IO L17N T2U N9 AD10N 64	
IOB32	AE17	IO L17P T2U N8 AD10P 64	
IOB51	AD18	IO L16N T2U N7 QBC AD3N 64	
IOB50	AC18	IO L16P T2U N6 QBC AD3P 64	
IOB35	AF19	IO L15N T2L N5 AD11N 64	
IOB34	AF18	IO L15P T2L N4 AD11P 64	
IOB53	AD19	IO L14N T2L N3 GC 64	
IOB52	AC19	IO L14P T2L N2 GC 64	
IOB55	AE20	IO L13N T2L N1 GC QBC 64	
IOB54	AD20	IO L13P T2L N0 GC QBC 64	
EXCLK BN1	AC21	IO L12N T1U N11 GC 64	
EXCLK BP1	AB21	IO L12P T1U N10 GC 64	
IOB57	AE21	IO L11N T1U N9 GC 64	
IOB56	AD21	IO L11P T1U N8 GC 64	
IOB9	AB22	IO L10N T1U N7 QBC AD4N 64	
IOB8	AA22	IO L10P T1U N6 QBC AD4P 64	
IOB11	AC23	IO L9N T1L N5 AD12N 64	
IOB10	AC22	IO L9P T1L N4 AD12P 64	
IOB59	AE23	IO L8N T1L N3 AD5N 64	
IOB58	AD23	IO L8P T1L N2 AD5P 64	
IOB37	AF22	IO L7N T1L N1 QBC AD13N 64	
IOB36	AE22	IO L7P T1L N0 QBC AD13P 64	
IOB63	AC24	IO L6N T0U N11 AD6N 64	
IOB62	AB24	IO L6P T0U N10 AD6P 64	
IOB61	AD25	IO L5N T0U N9 AD14N 64	
IOB60	AD24	IO L5P T0U N8 AD14P 64	
IOB43	AD26	IO L4N T0U N7 DBC AD7N 64	
IOB42	AC26	IO L4P T0U N6 DBC AD7P 64	
IOB39	AF25	IO L3N T0L N5 AD15N 64	
IOB38	AF24	IO L3P T0L N4 AD15P 64	
IOB45	AB26	IO L2N T0L N3 64	
IOB44	AB25	IO L2P T0L N2 64	
IOB41	AE26	IO L1N T0L N1 DBC 64	
IOB40	AE25	IO L1P T0L N0 DBC 64	



IOB		FPGA	
IOB25	N22	IO L24N T3U N11 DOUT CSO B 65	
IOB24	N21	IO L24P T3U N10 EMCCLK 65	
IOB27	P19	IO L23N T3U N9 PERSTN1 I2C_SDA 65	
IOB26	N19	IO L23P T3U N8 I2C_SCLK 65	
IOB23	P23	IO L22N T3U N7 DBC AD0N D05 65	
IOB22	N23	IO L22P T3U N6 DBC AD0P D04 65	
	R21	IO L21N T3L N5 AD8N D07 65	
	R20	IO L21P T3L N4 AD8P D06 65	
	P21	IO L20N T3L N3 AD1N D09 65	
	P20	IO L20P T3L N2 AD1P D08 65	
	R23	IO L19N T3L N1 DBC AD9N D11 65	
	R22	IO L19P T3L N0 DBC AD9P D10 65	
IOB25	R26	IO L18N T2U N11 AD2N D13 65	
IOB24	R25	IO L18P T2U N10 AD2P D12 65	
IOB27	P26	IO L17N T2U N9 AD10N D15 65	
IOB26	P25	IO L17P T2U N8 AD10P D14 65	
IOB23	V26	IO L16N T2U N7 QBC AD3N A01 D17 65	
IOB22	U26	IO L16P T2U N6 QBC AD3P A00 D16 65	
	P24	IO L15N T2L N5 AD11N A03 D19 65	
	N24	IO L15P T2L N4 AD11P A02 D18 65	
EXCLK BN0	U25	IO L14N T2L N3 GC A05 D21 65	
EXCLK BP0	T25	IO L14P T2L N2 GC A04 D20 65	
	U24	IO L13N T2L N1 GC QBC A07 D23 65	
GCLK50B	T24	IO L13P T2L N0 GC QBC A06 D22 65	
IOB29	W24	IO L12N T1U N11 GC A09 D25 65	
IOB28	V24	IO L12P T1U N10 GC A08 D24 65	
IOB15	W23	IO L11N T1U N9 GC A11 D27 65	
IOB14	V23	IO L11P T1U N8 GC A10 D26 65	
IOB21	W26	IO L10N T1U N7 QBC AD4N A13 D29 65	
IOB20	W25	IO L10P T1U N6 QBC AD4P A12 D28 65	
IOB17	AA25	IO L9N T1L N5 AD12N A15 D31 65	
IOB16	AA24	IO L9P T1L N4 AD12P A14 D30 65	
IOB19	Y26	IO L8N T1L N3 AD5N A17 65	
IOB18	Y25	IO L8P T1L N2 AD5P A16 65	
IOB13	Y23	IO L7N T1L N1 QBC AD13N A19 65	
IOB12	Y22	IO L7P T1L N0 QBC AD13P A18 65	
	W20	IO L6N T0U N11 AD6N A21 65	
	W19	IO L6P T0U N10 AD6P A20 65	
IOB31	T23	IO L5N T0U N9 AD14N A23 65	
IOB30	T22	IO L5P T0U N8 AD14P A22 65	
	V22	IO L4N T0U N7 DBC AD7N A25 65	
	V21	IO L4P T0U N6 DBC AD7P A24 65	
	U20	IO L3N T0L N5 AD15N A27 65	
	T20	IO L3P T0L N4 AD15P A26 65	
	U22	IO L2N T0L N3 FWE FCS2_B 65	
	U21	IO L2P T0L N2 FOE B 65	
	V19	IO L1N T0L N1 DBC RS1 65	
	U19	IO L1P T0L N0 DBC RS0 65	



IOB		FPGA	
	A15	IO L17N T2U N9 AD10N 67(NC(10P/15P/20P))	
	A17	IO L16P T2U N6 QBC AD3P 67(NC(10P/15P/20P))	
	A18	IO L16N T2U N7 QBC AD3N 67(NC(10P/15P/20P))	
	A19	IO L18P T2U N10 AD2P 67(NC(10P/15P/20P))	
	A20	IO L18N T2U N11 AD2N 67(NC(10P/15P/20P))	
	A22	IO L19P T3L N0 DBC AD9P 67(NC(10P/15P/20P))	
	A23	IO L19N T3L N1 DBC AD9N 67(NC(10P/15P/20P))	
	A24	IO L23P T3U N8 67(NC(10P/15P/20P))	
	A25	IO L23N T3U N9 67(NC(10P/15P/20P))	
	B15	IO L17P T2U N8 AD10P 67(NC(10P/15P/20P))	
	B16	IO T2U N12 67(NC(10P/15P/20P))	
	B17	IO L15N T2L N5 AD11N 67(NC(10P/15P/20P))	
	B19	IO L14P T2L N2 GC 67(NC(10P/15P/20P))	
	B20	IO L14N T2L N3 GC 67(NC(10P/15P/20P))	
	B21	IO L22N T3U N7 DBC AD0N 67(NC(10P/15P/20P))	
	B22	IO L24N T3U N11 67(NC(10P/15P/20P))	
	B24	IO L21N T3L N5 AD8N 67(NC(10P/15P/20P))	
	C16	IO L6N T0U N11 AD6N 67(NC(10P/15P/20P))	
	C17	IO L15P T2L N4 AD11P 67(NC(10P/15P/20P))	
	C18	IO L13P T2L N0 GC QBC 67(NC(10P/15P/20P))	
	C19	IO L13N T2L N1 GC QBC 67(NC(10P/15P/20P))	
	C21	IO L22P T3U N6 DBC AD0P 67(NC(10P/15P/20P))	
	C22	IO L24P T3U N10 67(NC(10P/15P/20P))	
	C23	IO L21P T3L N4 AD8P 67(NC(10P/15P/20P))	
	D15	IO L3N T0L N5 AD15N 67(NC(10P/15P/20P))	
	D16	IO L6P T0U N10 AD6P 67(NC(10P/15P/20P))	
	D18	IO L11N T1U N9 GC 67(NC(10P/15P/20P))	
	D19	IO L12P T1U N10 GC 67(NC(10P/15P/20P))	
	D20	IO L12N T1U N11 GC 67(NC(10P/15P/20P))	
	D21	IO L20N T3L N3 AD1N 67(NC(10P/15P/20P))	
	E15	IO L3P T0L N4 AD15P 67(NC(10P/15P/20P))	
	E16	IO L4P T0U N6 DBC AD7P 67(NC(10P/15P/20P))	
	E17	IO L4N T0U N7 DBC AD7N 67(NC(10P/15P/20P))	
	E18	IO L11P T1U N8 GC 67(NC(10P/15P/20P))	
	E20	IO L10N T1U N7 QBC AD4N 67(NC(10P/15P/20P))	
	E21	IO L20P T3L N2 AD1P 67(NC(10P/15P/20P))	
	E22	IO T3U N12 67(NC(10P/15P/20P))	
	F15	IO L1N T0L N1 DBC 67(NC(10P/15P/20P))	
	F17	IO T0U N12 VREF 67(NC(10P/15P/20P))	
	F18	IO L8P T1L N2 AD5P 67(NC(10P/15P/20P))	
	F19	IO L8N T1L N3 AD5N 67(NC(10P/15P/20P))	
	F20	IO L10P T1U N6 QBC AD4P 67(NC(10P/15P/20P))	
	G15	IO L1P T0L N0 DBC 67(NC(10P/15P/20P))	
	G16	IO L5N T0U N9 AD14N 67(NC(10P/15P/20P))	
	G17	IO L2N T0L N3 67(NC(10P/15P/20P))	
	G19	IO T1U N12 67(NC(10P/15P/20P))	
	G20	IO L9P T1L N4 AD12P 67(NC(10P/15P/20P))	
	G21	IO L9N T1L N5 AD12N 67(NC(10P/15P/20P))	
	H16	IO L5P T0U N8 AD14P 67(NC(10P/15P/20P))	
	H17	IO L2P T0L N2 67(NC(10P/15P/20P))	
	H18	IO L7P T1L N0 QBC AD13P 67(NC(10P/15P/20P))	
	H19	IO L7N T1L N1 QBC AD13N 67(NC(10P/15P/20P))	

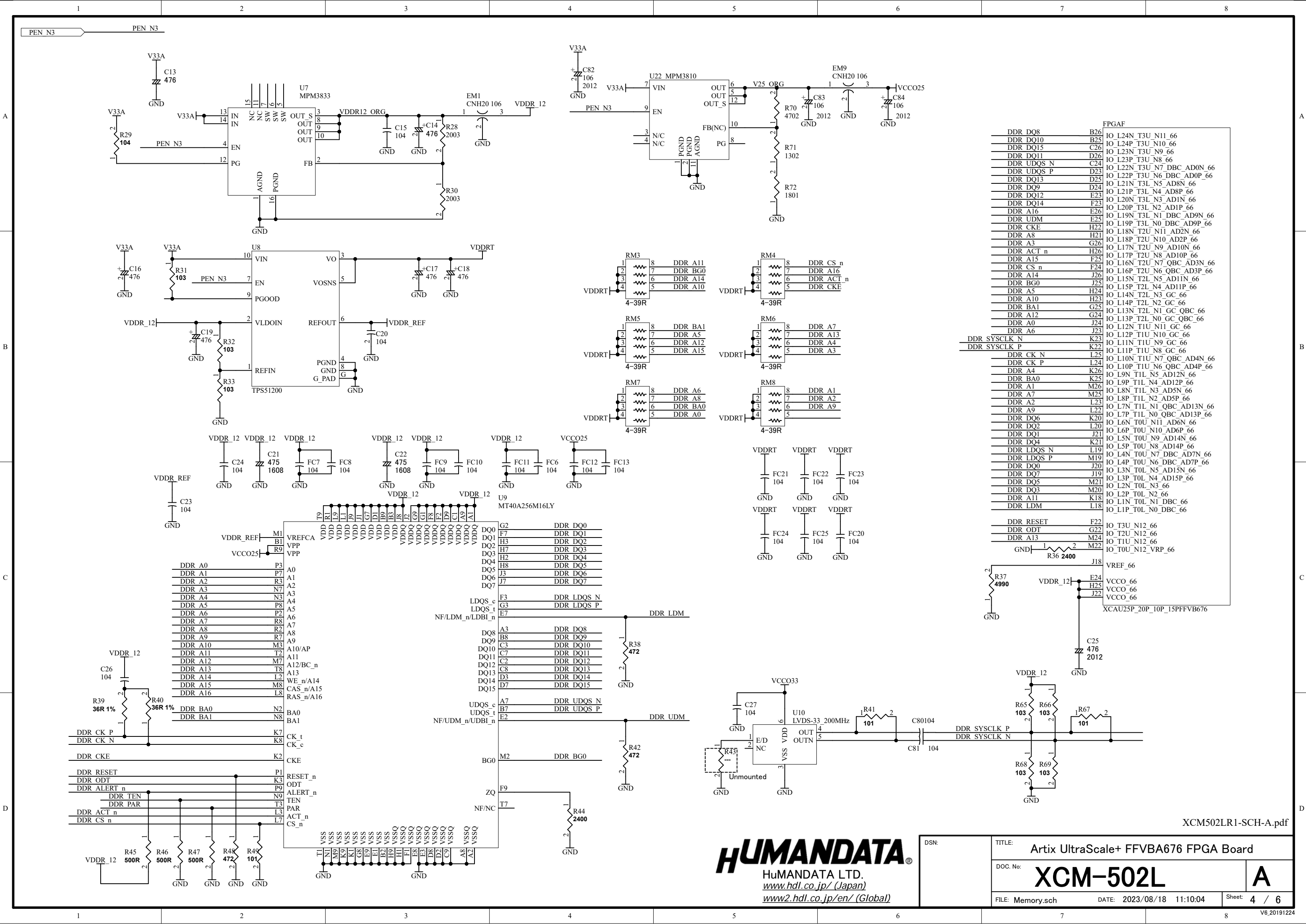


BANK Group B

XCM502LR1-SCH-A.pdf



DSN:	TITLE: Artix UltraScale+ FFVBA676 FPGA Board
DOC. No:	XCM-502L
FILE: IOB.SchDoc	DATE: 2023/08/18 11:10:04
	Sheet: 3 / 6

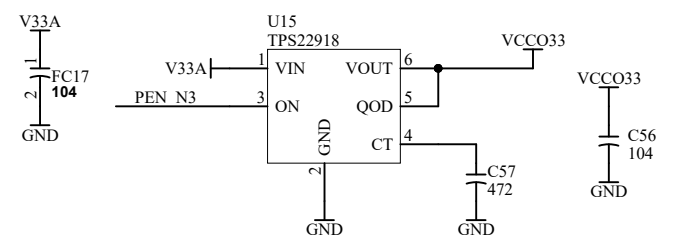
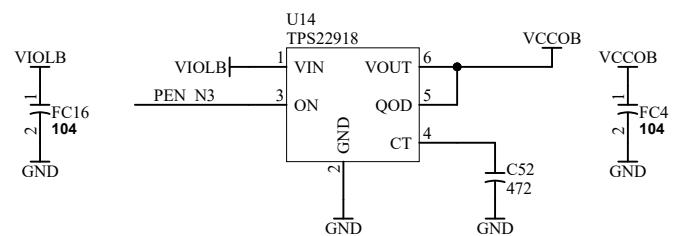
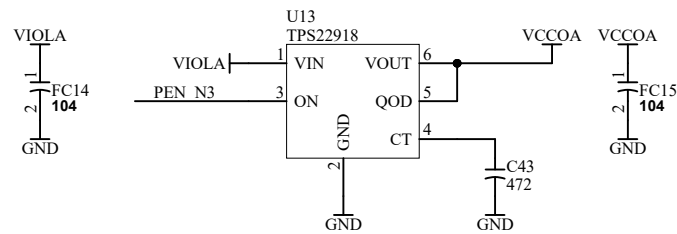
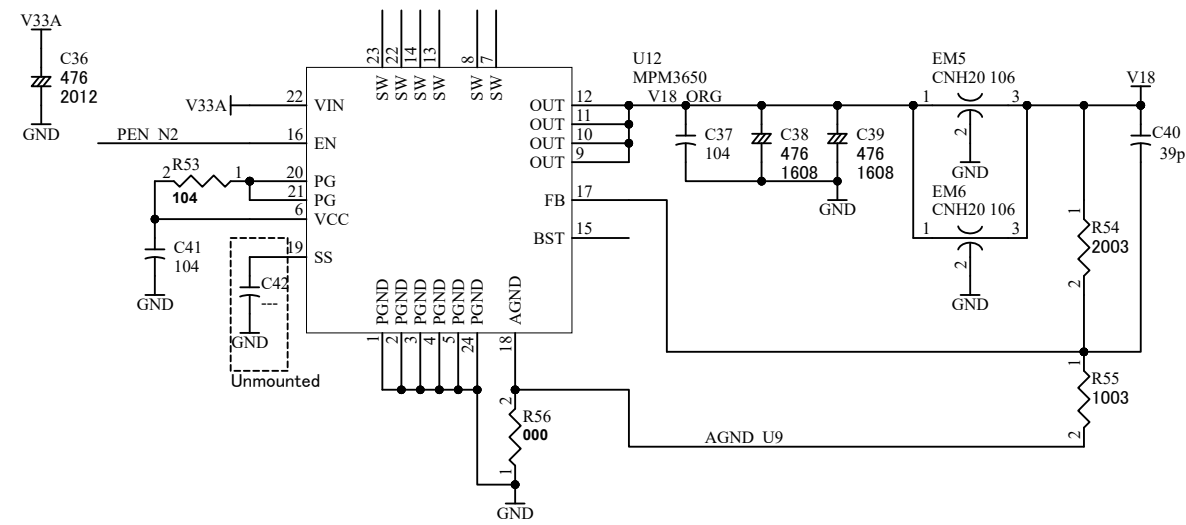
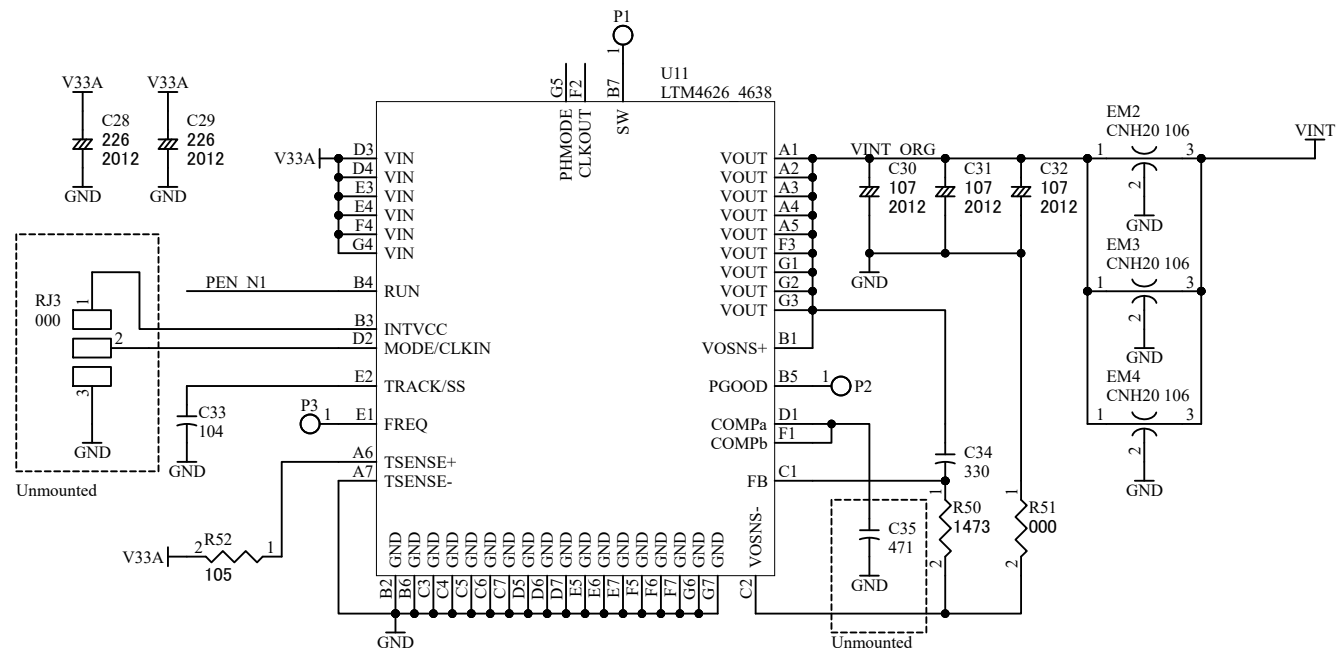


FPGA	
DDR DQ8	B26
DDR DQ10	B25
DDR DQ15	C26
DDR DQ11	D26
DDR UDQS N	C24
DDR UDQS P	D23
DDR DQ13	D25
DDR DQ9	D24
DDR DQ12	E23
DDR DQ14	F23
DDR A16	E26
DDR UDM	E25
DDR CKE	H22
DDR A8	H21
DDR A3	G26
DDR ACT_n	H26
DDR A15	F25
DDR CS_n	F24
DDR A14	J26
DDR BG0	J25
DDR A5	H24
DDR A10	H23
DDR BA1	G25
DDR A12	G24
DDR A0	J24
DDR A6	J23
DDR SYCLK_N	K23
DDR SYCLK_P	K22
DDR CK_N	L25
DDR CK_P	L24
DDR A4	K26
DDR BA0	K25
DDR A1	M26
DDR A7	M25
DDR A2	L23
DDR A9	L22
DDR DQ6	K20
DDR DQ2	L20
DDR DQ1	J21
DDR DQ4	K21
DDR LDQS_N	L19
DDR LDQS_P	M19
DDR DQ0	J20
DDR DQ7	J19
DDR DQ5	M21
DDR DQ3	M20
DDR A11	K18
DDR LDM	L18
DDR RESET	F22
DDR ODT	G22
DDR A13	M24
IO_T3U_N12_66	M22
IO_T1U_N12_66	M22
IO_T0U_N12_VRP_66	M22
VREF_66	J18
VCCO_66	E24
VCCO_66	H25
VCCO_66	J22
XCAU25P_20P_10P_15PFFVB676	

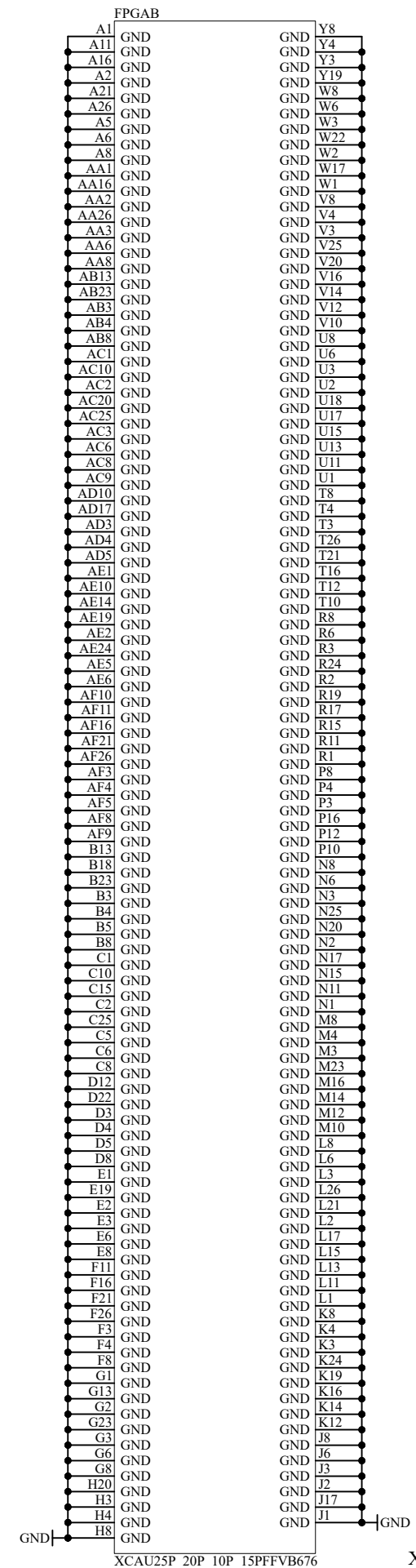
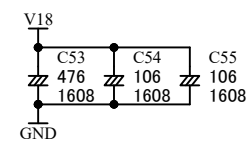
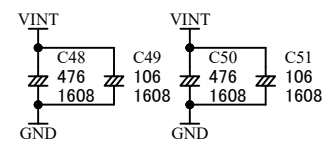
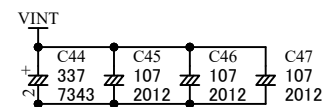
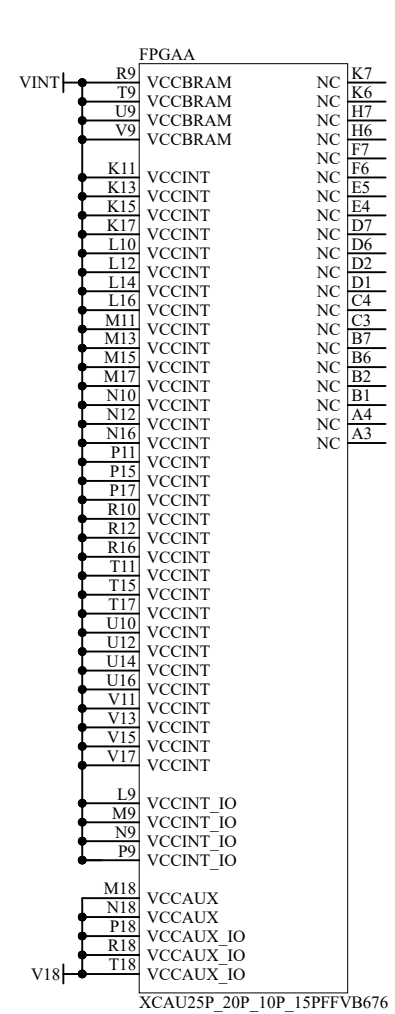
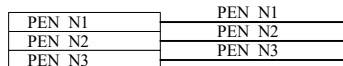
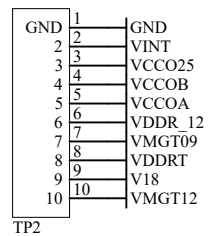


DSN:	TITLE: Artix UltraScale+ FFVBA676 FPGA Board
DOC. No:	XCM-502L
FILE: Memory.sch	DATE: 2023/08/18 11:10:04
Sheet:	4 / 6

XCM502LR1-SCH-A.pdf



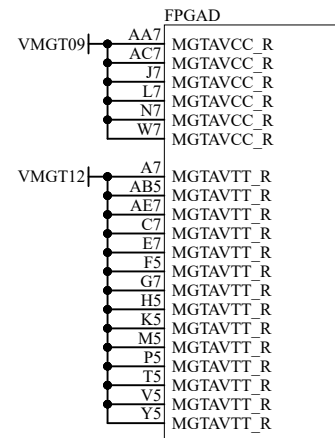
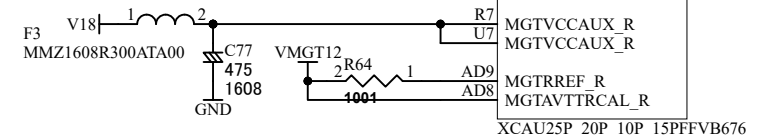
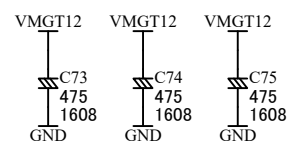
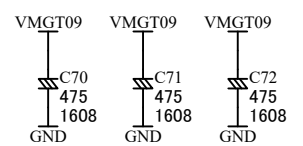
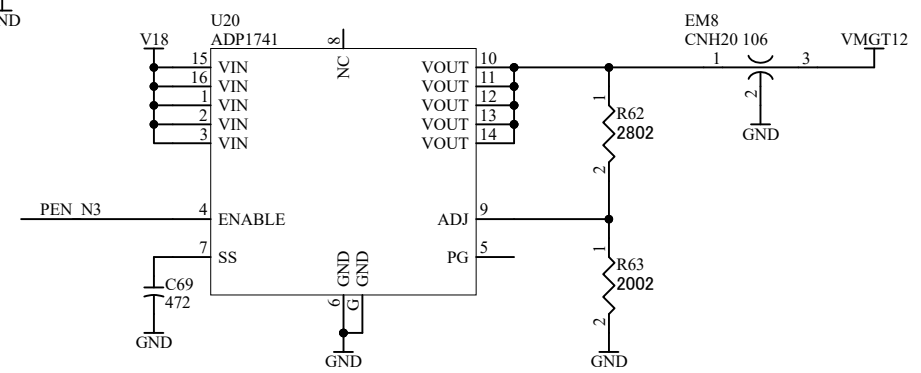
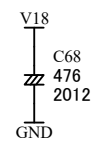
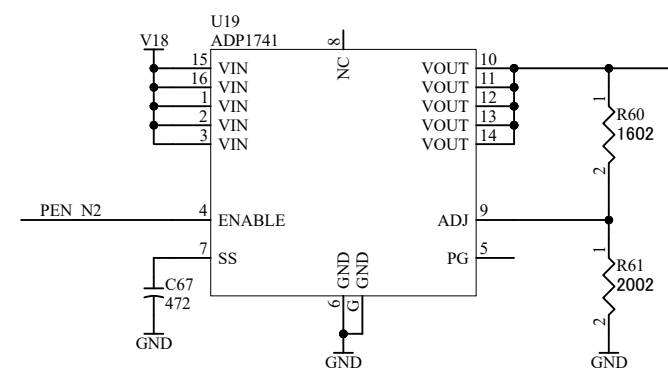
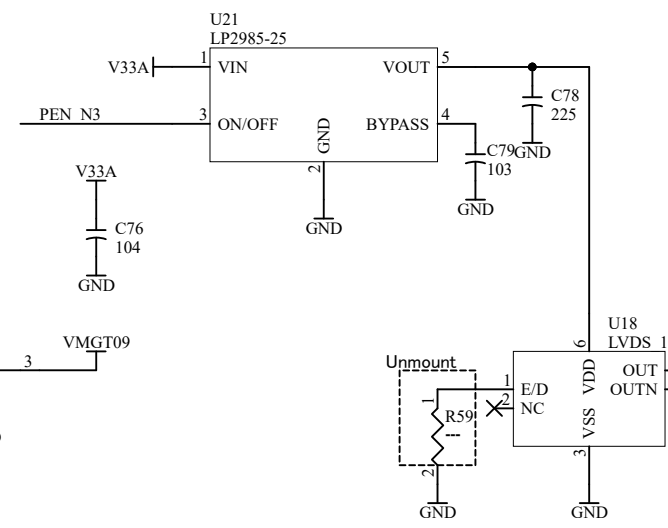
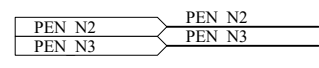
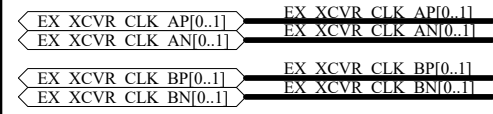
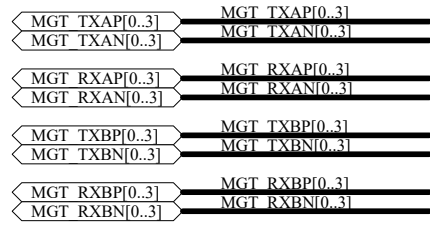
Power sense point



XCAU25P_20P_10P_15PFFVB676 XCM502LR1-SCH-A.pdf



DSN:	TITLE: Artix UltraScale+ FFVBA676 FPGA Board
DOC. No:	XCM-502L
FILE: POWER.SchDoc	DATE: 2023/08/18 11:10:04
Sheet: 5 / 6	A



FPGAC		FPGAD	
EX XCVR CLK BP1	AB7	MGTREFCLK0P_224	
EX XCVR CLK BN1	AB6	MGTREFCLK0N_224	
EX XCVR CLK BP0	Y7	MGTREFCLK1P_224	
EX XCVR CLK BN0	Y6	MGTREFCLK1N_224	
MGT TXBP0	AF7	MGTYPXP0_224(MGHTXP0_224(10P/15P))	
MGT TXBN0	AF6	MGTYPXN0_224(MGHTXN0_224(10P/15P))	
MGT TXBP1	AE9	MGTYPXP1_224(MGHTXP1_224(10P/15P))	
MGT TXBN1	AE8	MGTYPXN1_224(MGHTXN1_224(10P/15P))	
MGT TXBP2	AD7	MGTYPXP2_224(MGHTXP2_224(10P/15P))	
MGT TXBN2	AD6	MGTYPXN2_224(MGHTXN2_224(10P/15P))	
MGT TXBP3	AC5	MGTYPXP3_224(MGHTXP3_224(10P/15P))	
MGT TXBN3	AC4	MGTYPXN3_224(MGHTXN3_224(10P/15P))	
MGT RXBP0	AF2	MGTYPXP0_224(MGTHXP0_224(10P/15P))	
MGT RXBN0	AF1	MGTYPXN0_224(MGTHXN0_224(10P/15P))	
MGT RXBP1	AE4	MGTYPXP1_224(MGTHXP1_224(10P/15P))	
MGT RXBN1	AE3	MGTYPXN1_224(MGTHXN1_224(10P/15P))	
MGT RXBP2	AD2	MGTYPXP2_224(MGTHXP2_224(10P/15P))	
MGT RXBN2	AD1	MGTYPXN2_224(MGTHXN2_224(10P/15P))	
MGT RXBP3	AB2	MGTYPXP3_224(MGTHXP3_224(10P/15P))	
MGT RXBN3	AB1	MGTYPXN3_224(MGTHXN3_224(10P/15P))	
MGT REF CLKP1	V7	MGTREFCLK0P_225	
MGT REF CLKN1	V6	MGTREFCLK0N_225	
EX XCVR CLK AN0	T7	MGTREFCLK1P_225	
EX XCVR CLK AP0	T6	MGTREFCLK1N_225	
MGT TXAP0	AA5	MGTYPXP0_225(MGHTXP0_225(10P/15P))	
MGT TXAN0	AA4	MGTYPXN0_225(MGHTXN0_225(10P/15P))	
MGT TXAP1	W5	MGTYPXP1_225(MGHTXP1_225(10P/15P))	
MGT TXAN1	W4	MGTYPXN1_225(MGHTXN1_225(10P/15P))	
MGT TXAP2	U5	MGTYPXP2_225(MGHTXP2_225(10P/15P))	
MGT TXAN2	U4	MGTYPXN2_225(MGHTXN2_225(10P/15P))	
MGT TXAP3	R5	MGTYPXP3_225(MGHTXP3_225(10P/15P))	
MGT TXAN3	R4	MGTYPXN3_225(MGHTXN3_225(10P/15P))	
MGT RXAP0	Y2	MGTYPXP0_225(MGTHXP0_225(10P/15P))	
MGT RXAN0	Y1	MGTYPXN0_225(MGTHXN0_225(10P/15P))	
MGT RXAP1	V2	MGTYPXP1_225(MGTHXP1_225(10P/15P))	
MGT RXAN1	V1	MGTYPXN1_225(MGTHXN1_225(10P/15P))	
MGT RXAP2	T2	MGTYPXP2_225(MGTHXP2_225(10P/15P))	
MGT RXAN2	T1	MGTYPXN2_225(MGTHXN2_225(10P/15P))	
MGT RXAP3	P2	MGTYPXP3_225(MGTHXP3_225(10P/15P))	
MGT RXAN3	P1	MGTYPXN3_225(MGTHXN3_225(10P/15P))	
EX XCVR CLK AP1	P7	MGTREFCLK0P_226	
EX XCVR CLK AN1	P6	MGTREFCLK0N_226	
MGTREFCLK1P_226	M7	MGTREFCLK1P_226	
MGTREFCLK1N_226	M6	MGTREFCLK1N_226	
MGTYPXP0_226(MGHTXP0_226(10P/15P))	N5	MGTYPXP0_226(MGHTXP0_226(10P/15P))	
MGTYPXN0_226(MGHTXN0_226(10P/15P))	N4	MGTYPXN0_226(MGHTXN0_226(10P/15P))	
MGTYPXP1_226(MGHTXP1_226(10P/15P))	L5	MGTYPXP1_226(MGHTXP1_226(10P/15P))	
MGTYPXN1_226(MGHTXN1_226(10P/15P))	L4	MGTYPXN1_226(MGHTXN1_226(10P/15P))	
MGTYPXP2_226(MGHTXP2_226(10P/15P))	J5	MGTYPXP2_226(MGHTXP2_226(10P/15P))	
MGTYPXN2_226(MGHTXN2_226(10P/15P))	J4	MGTYPXN2_226(MGHTXN2_226(10P/15P))	
MGTYPXP3_226(MGHTXP3_226(10P/15P))	G5	MGTYPXP3_226(MGHTXP3_226(10P/15P))	
MGTYPXN3_226(MGHTXN3_226(10P/15P))	G4	MGTYPXN3_226(MGHTXN3_226(10P/15P))	
MGTYPXP0_226(MGTHXP0_226(10P/15P))	M2	MGTYPXP0_226(MGTHXP0_226(10P/15P))	
MGTYPXN0_226(MGTHXN0_226(10P/15P))	M1	MGTYPXN0_226(MGTHXN0_226(10P/15P))	
MGTYPXP1_226(MGTHXP1_226(10P/15P))	K2	MGTYPXP1_226(MGTHXP1_226(10P/15P))	
MGTYPXN1_226(MGTHXN1_226(10P/15P))	K1	MGTYPXN1_226(MGTHXN1_226(10P/15P))	
MGTYPXP2_226(MGTHXP2_226(10P/15P))	H2	MGTYPXP2_226(MGTHXP2_226(10P/15P))	
MGTYPXN2_226(MGTHXN2_226(10P/15P))	H1	MGTYPXN2_226(MGTHXN2_226(10P/15P))	
MGTYPXP3_226(MGTHXP3_226(10P/15P))	F2	MGTYPXP3_226(MGTHXP3_226(10P/15P))	
MGTYPXN3_226(MGTHXN3_226(10P/15P))	F1	MGTYPXN3_226(MGTHXN3_226(10P/15P))	

XCAU25P_20P_10P_15PFFV676

DSN:	TITLE: Artix UltraScale+ FFVBA676 FPGA Board
DOC. No:	XCM-502L
FILE: XCVR.SchDoc	DATE: 2023/08/18 11:10:05
Sheet: 6 / 6	A