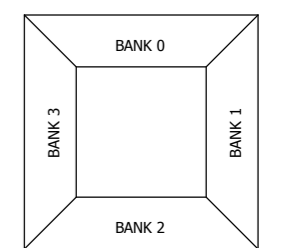
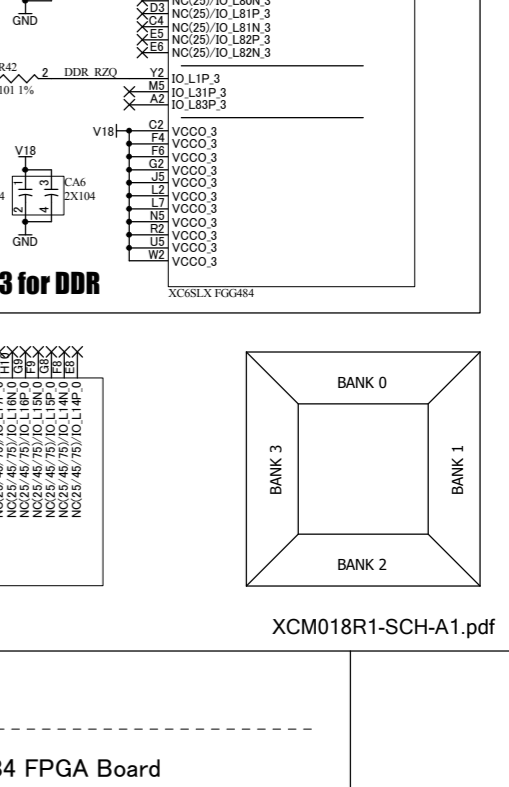
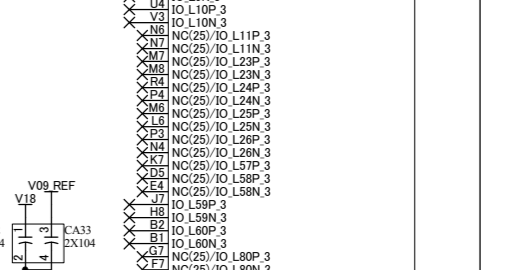
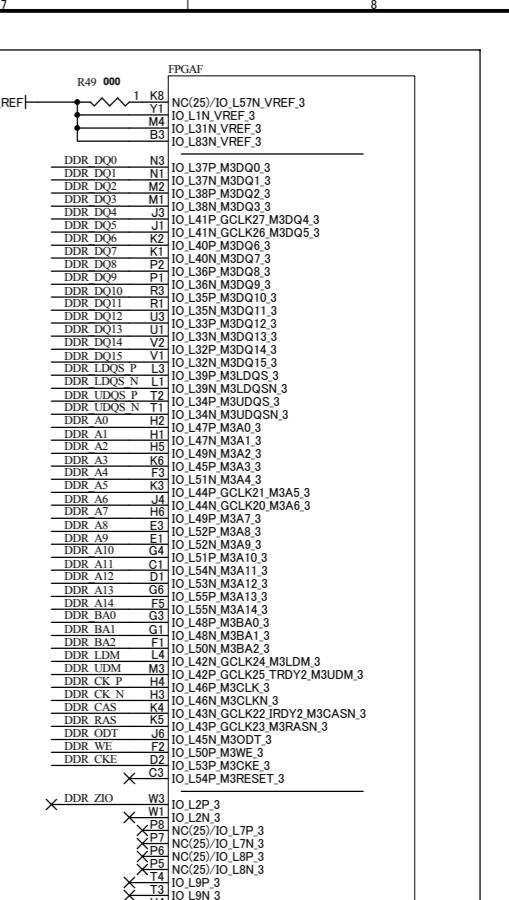
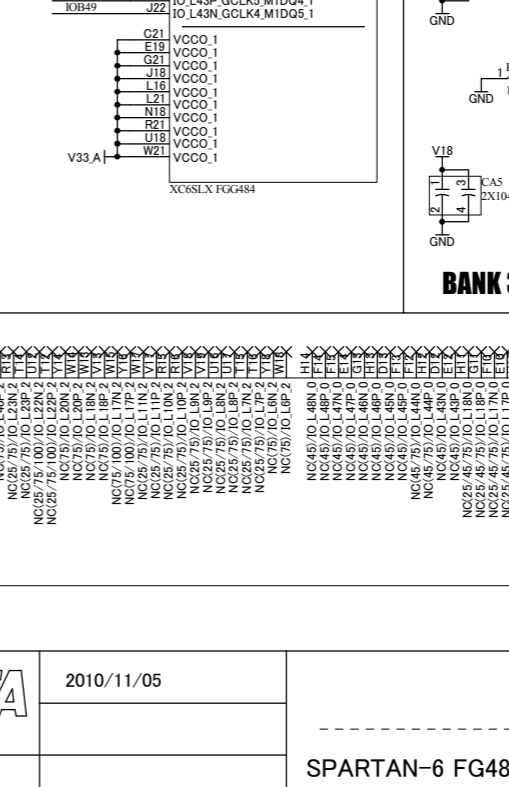
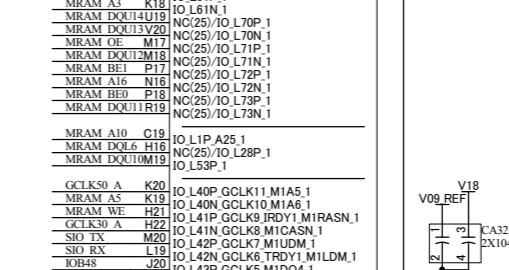
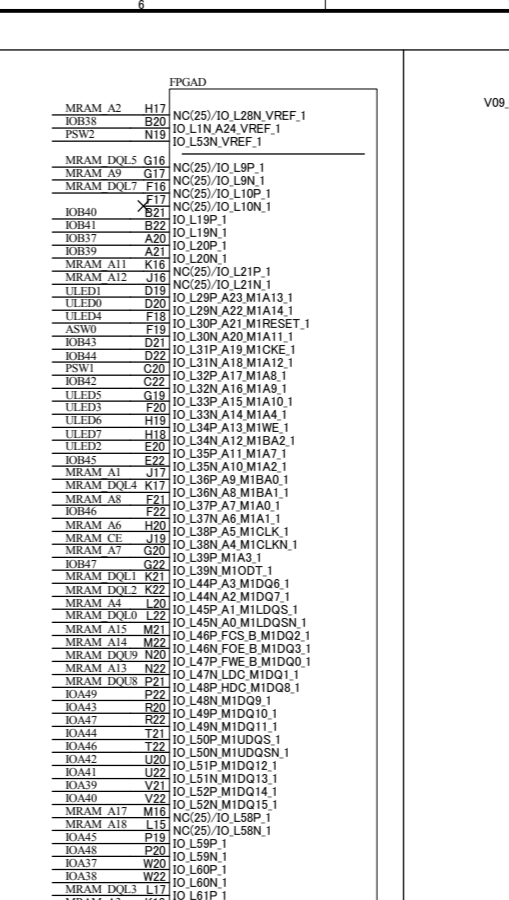
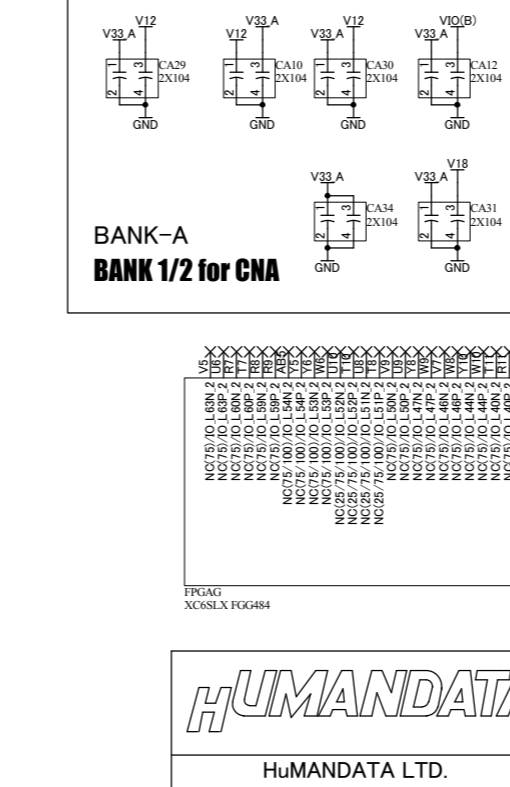
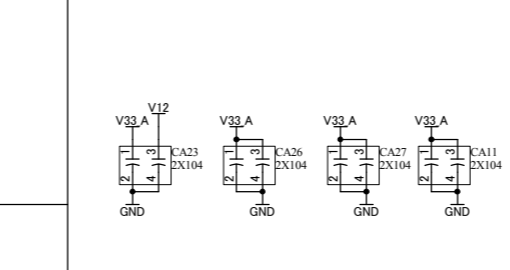
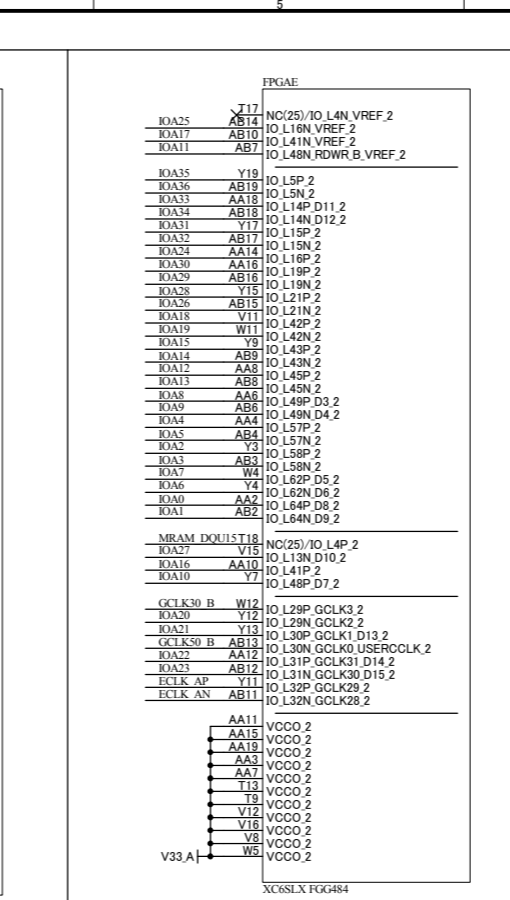
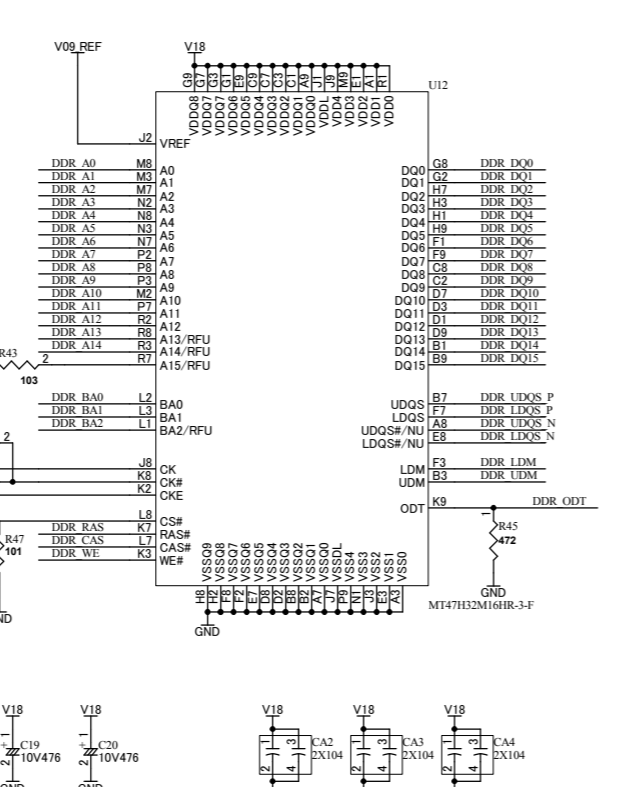
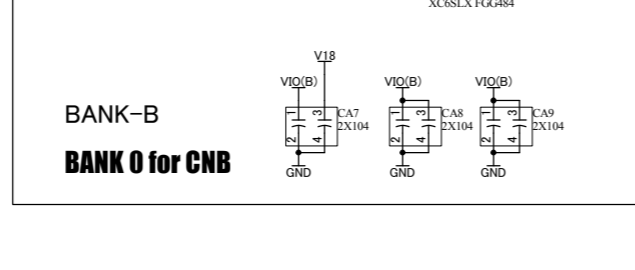
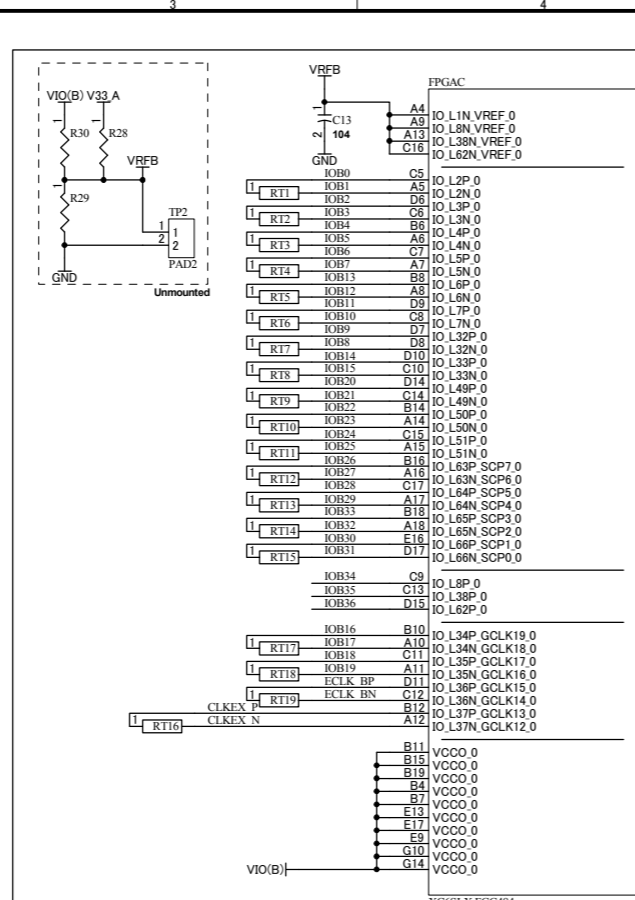
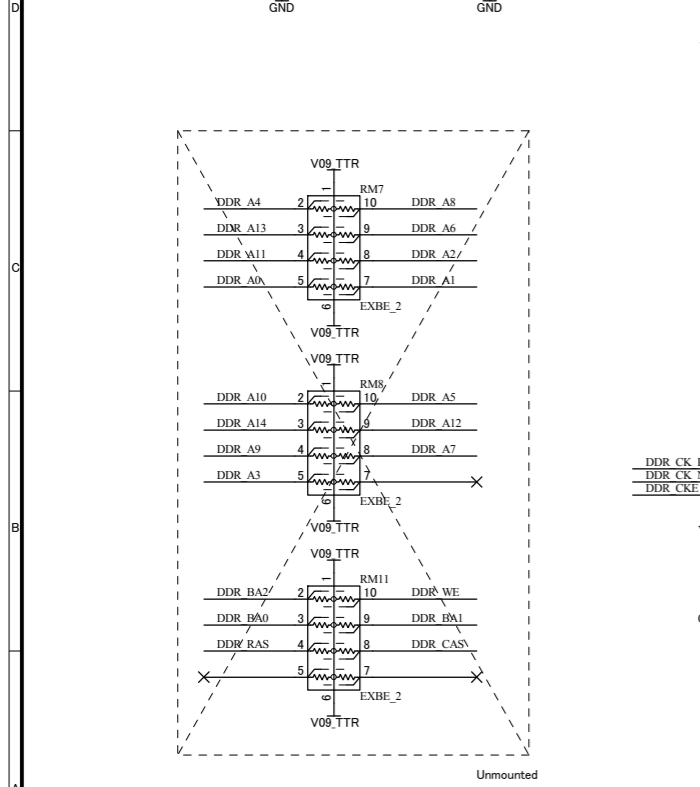
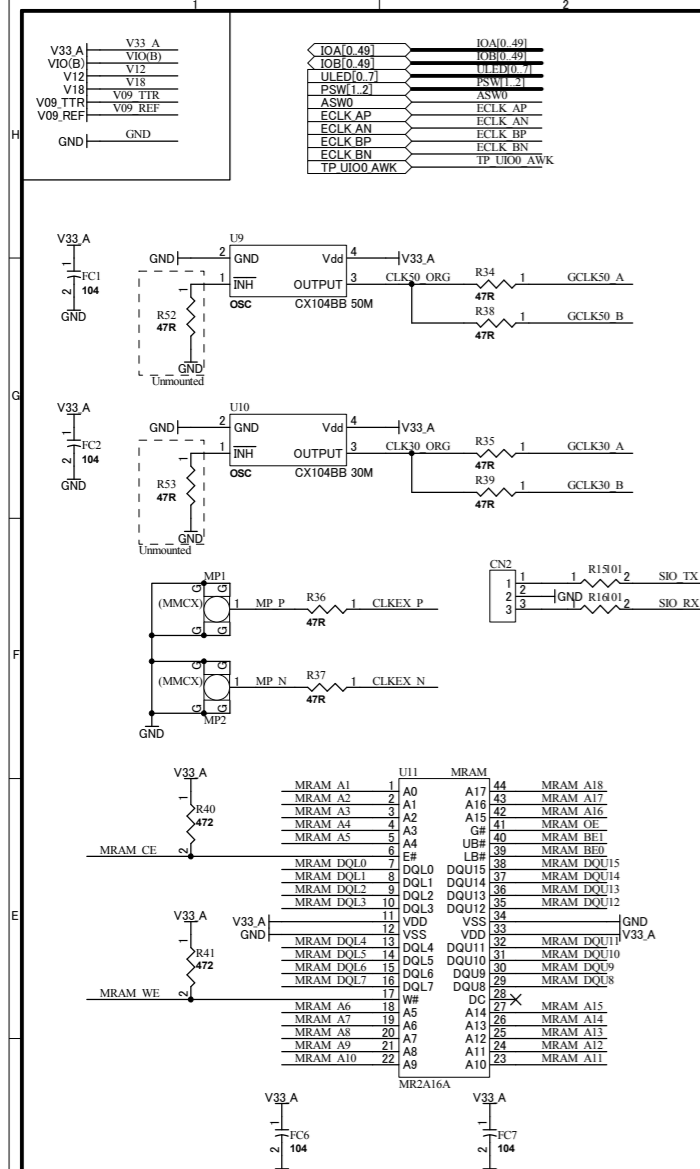


XCM0181-SCH-A1.pdf

		2010/11/05	
		HuMANDATA LTD. OSAKA JAPAN www.hdl.co.jp/en/(Global) www.hdl.co.jp/(Japan)	
SPARTAN-6 FG484 FPGA Board		DOC. No.	XCM-018
		Date:	10-Nov-2010 14:34:50
File:		XCM018A.sch	Sheet 1 of 2



HUMAN DATA LTD.  
OSAKA JAPAN  
www.hdl.co.jp/en/(Global)  
www.hdl.co.jp/(Japan)

2010/11/05  
Date: 10-Nov-2010 14:34:51

SPARTAN-6 FG484 FPGA Board  
DOC. No. XCM-018  
File: IO.sch  
Sheet 2 of 2

XCM018R1-SCH-A1.pdf