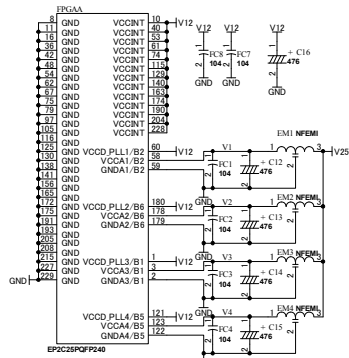
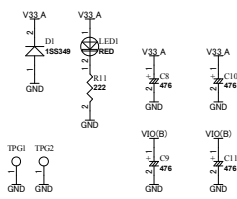
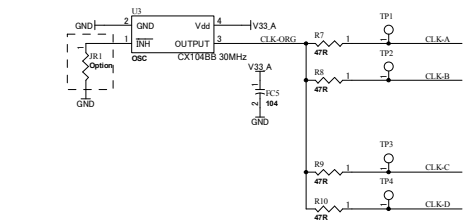
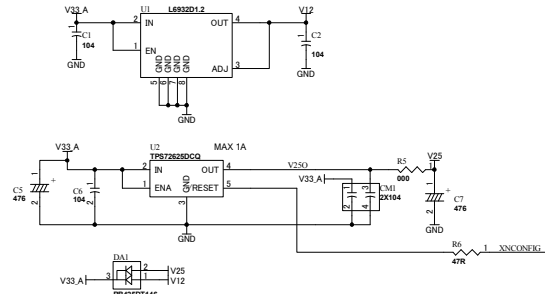
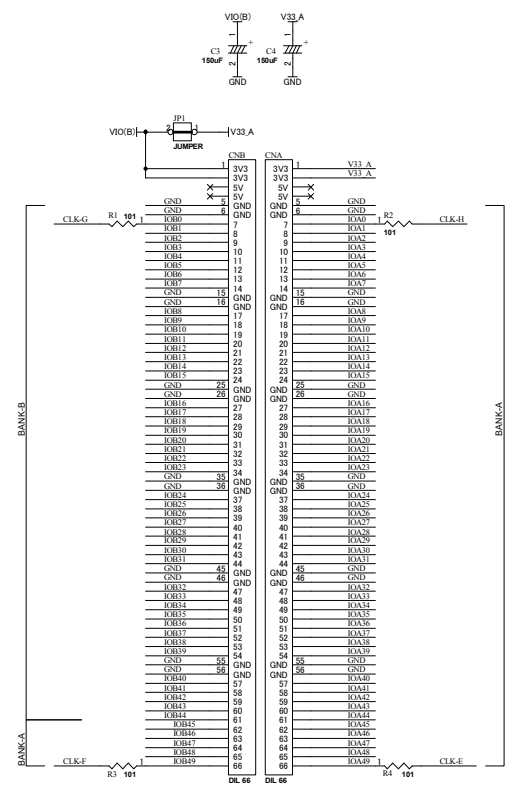


V33,A | V33_A
 V10(B) | V10B1
 V12 | V12
 V25 | V25
 GND | GND



BOARD #P1	IOA[0..49]
IOA[0..49]	IOA[0..49]
CLK.A	CLK-A
CLK.B	CLK-B
CLK.C	CLK-C
CLK.D	CLK-D
CLK.E	CLK-E
CLK.F	CLK-F
CLK.G	CLK-G
CLK.H	CLK-H
XNCONF0	XNCONF0
XNCONF1	XNCONF1



ACM018R2-SCH-D1.pdf

	2010/09/29	-----	
	HuMANDATA LTD. OSAKA JAPAN www.hdl.co.jp/en/ (Global) www.hdl.co.jp/ (Japan)	Altera CycloneIII Q240 FPGA board	
Date: 29-Sep-2010 15:12:56	File: ACM018D.sch	DOC. No. ACM-018	Sheet 1 of 2
			D1

