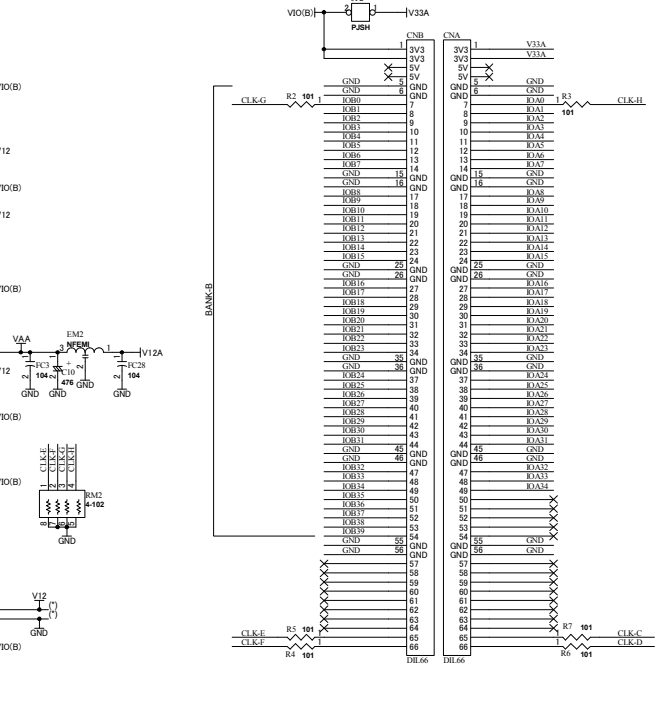


Pin	Signal	Pin	Signal
V33A	X AS/D0	144	IO LVDS10(LVDS16)
V33A	X CYC_NCS0	145	IO LVDS10(LVDS16)
V33A	RAM	146	IO LVDS10(LVDS16)
V33A	RAM	147	IO LVDS10(LVDS16)
V33A	RAM	148	IO LVDS10(LVDS16)
V33A	RAM	149	IO LVDS10(LVDS16)
V33A	RAM	150	IO LVDS10(LVDS16)
V33A	RAM	151	IO LVDS10(LVDS16)
V33A	RAM	152	IO LVDS10(LVDS16)
V33A	RAM	153	IO LVDS10(LVDS16)
V33A	RAM	154	IO LVDS10(LVDS16)
V33A	RAM	155	IO LVDS10(LVDS16)
V33A	RAM	156	IO LVDS10(LVDS16)
V33A	RAM	157	IO LVDS10(LVDS16)
V33A	RAM	158	IO LVDS10(LVDS16)
V33A	RAM	159	IO LVDS10(LVDS16)
V33A	RAM	160	IO LVDS10(LVDS16)
V33A	RAM	161	IO LVDS10(LVDS16)
V33A	RAM	162	IO LVDS10(LVDS16)
V33A	RAM	163	IO LVDS10(LVDS16)
V33A	RAM	164	IO LVDS10(LVDS16)
V33A	RAM	165	IO LVDS10(LVDS16)
V33A	RAM	166	IO LVDS10(LVDS16)
V33A	RAM	167	IO LVDS10(LVDS16)
V33A	RAM	168	IO LVDS10(LVDS16)
V33A	RAM	169	IO LVDS10(LVDS16)
V33A	RAM	170	IO LVDS10(LVDS16)
V33A	RAM	171	IO LVDS10(LVDS16)
V33A	RAM	172	IO LVDS10(LVDS16)
V33A	RAM	173	IO LVDS10(LVDS16)
V33A	RAM	174	IO LVDS10(LVDS16)
V33A	RAM	175	IO LVDS10(LVDS16)
V33A	RAM	176	IO LVDS10(LVDS16)
V33A	RAM	177	IO LVDS10(LVDS16)
V33A	RAM	178	IO LVDS10(LVDS16)
V33A	RAM	179	IO LVDS10(LVDS16)
V33A	RAM	180	IO LVDS10(LVDS16)
V33A	RAM	181	IO LVDS10(LVDS16)
V33A	RAM	182	IO LVDS10(LVDS16)
V33A	RAM	183	IO LVDS10(LVDS16)
V33A	RAM	184	IO LVDS10(LVDS16)
V33A	RAM	185	IO LVDS10(LVDS16)
V33A	RAM	186	IO LVDS10(LVDS16)
V33A	RAM	187	IO LVDS10(LVDS16)
V33A	RAM	188	IO LVDS10(LVDS16)
V33A	RAM	189	IO LVDS10(LVDS16)
V33A	RAM	190	IO LVDS10(LVDS16)
V33A	RAM	191	IO LVDS10(LVDS16)
V33A	RAM	192	IO LVDS10(LVDS16)
V33A	RAM	193	IO LVDS10(LVDS16)
V33A	RAM	194	IO LVDS10(LVDS16)
V33A	RAM	195	IO LVDS10(LVDS16)
V33A	RAM	196	IO LVDS10(LVDS16)
V33A	RAM	197	IO LVDS10(LVDS16)
V33A	RAM	198	IO LVDS10(LVDS16)
V33A	RAM	199	IO LVDS10(LVDS16)
V33A	RAM	200	IO LVDS10(LVDS16)



【重要】
 (a) EP2C50の時、これらのピンは、GNDまたはVCCINT1に固定されています。
 設計データではターミナルとして示されています。

