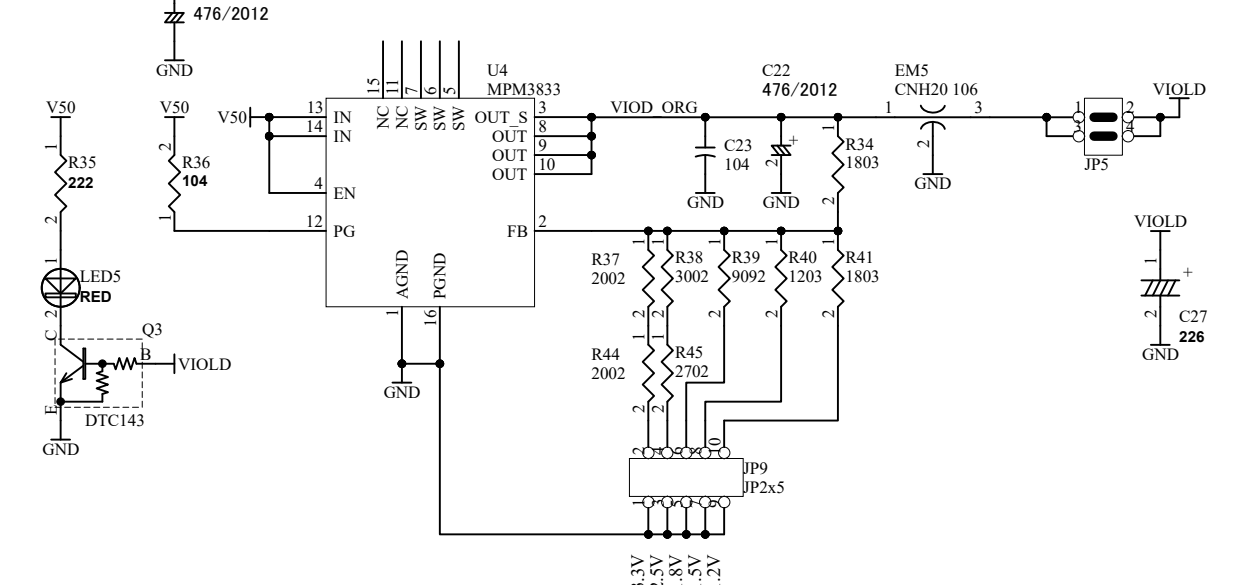
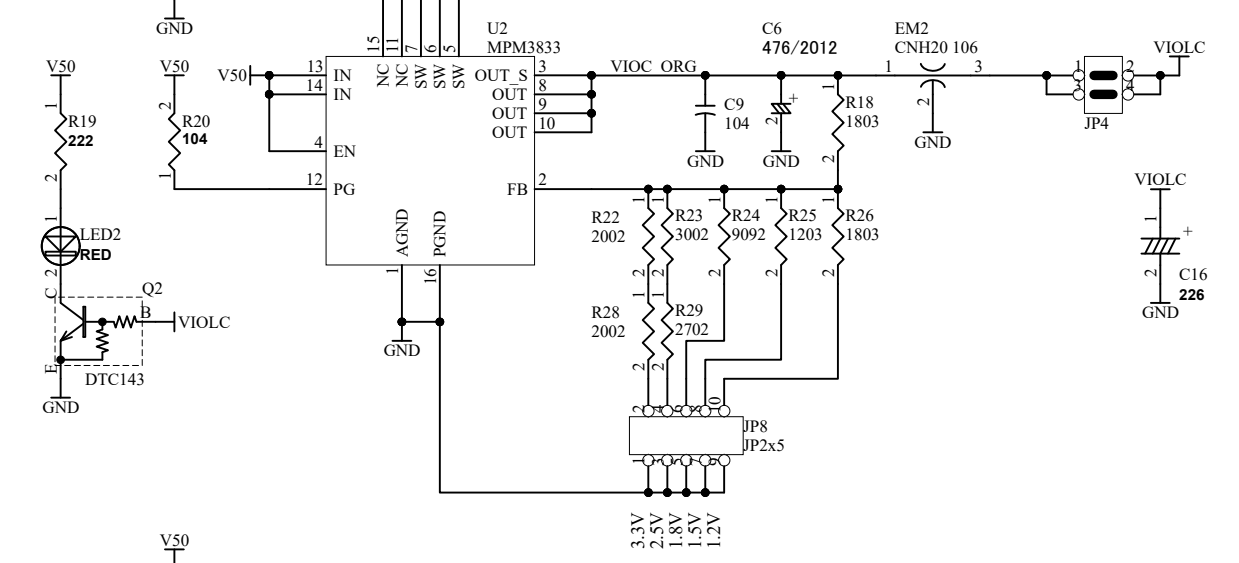
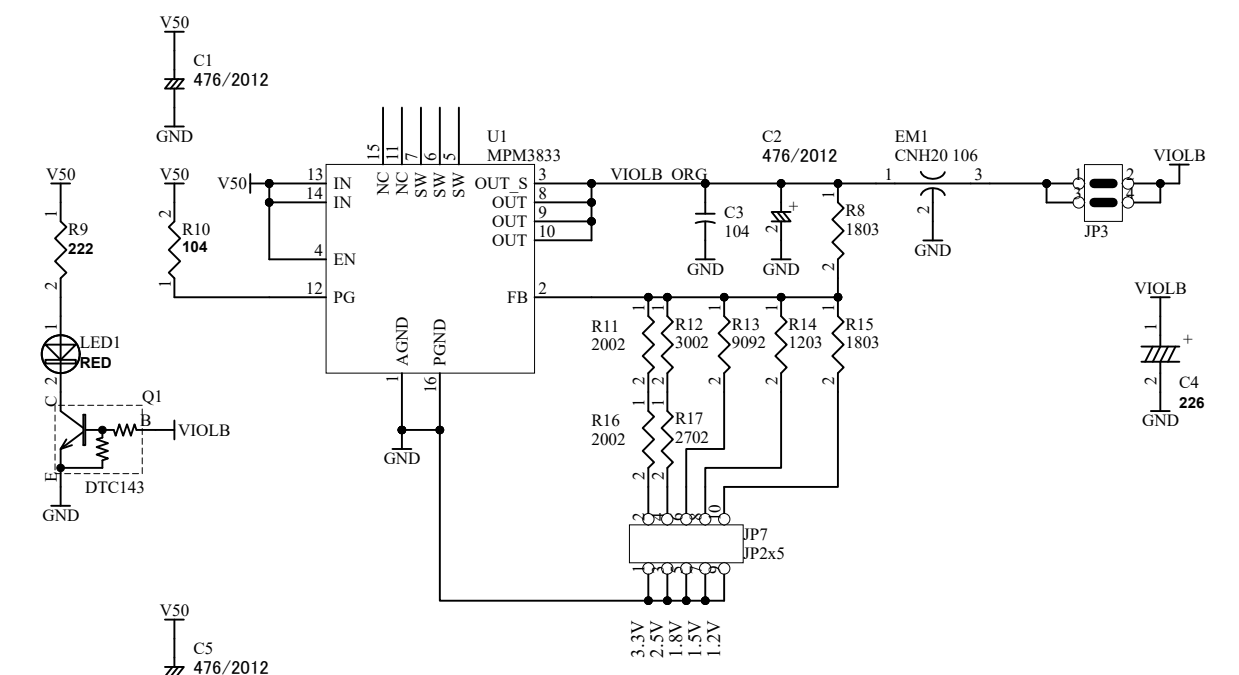
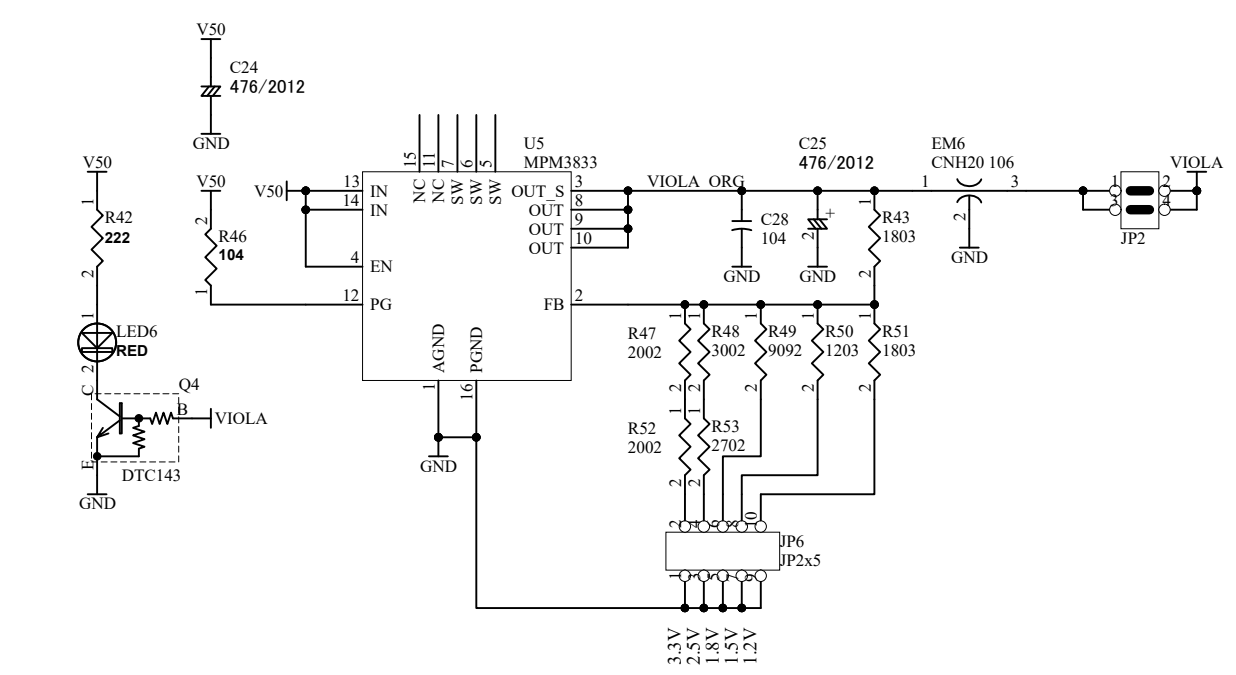
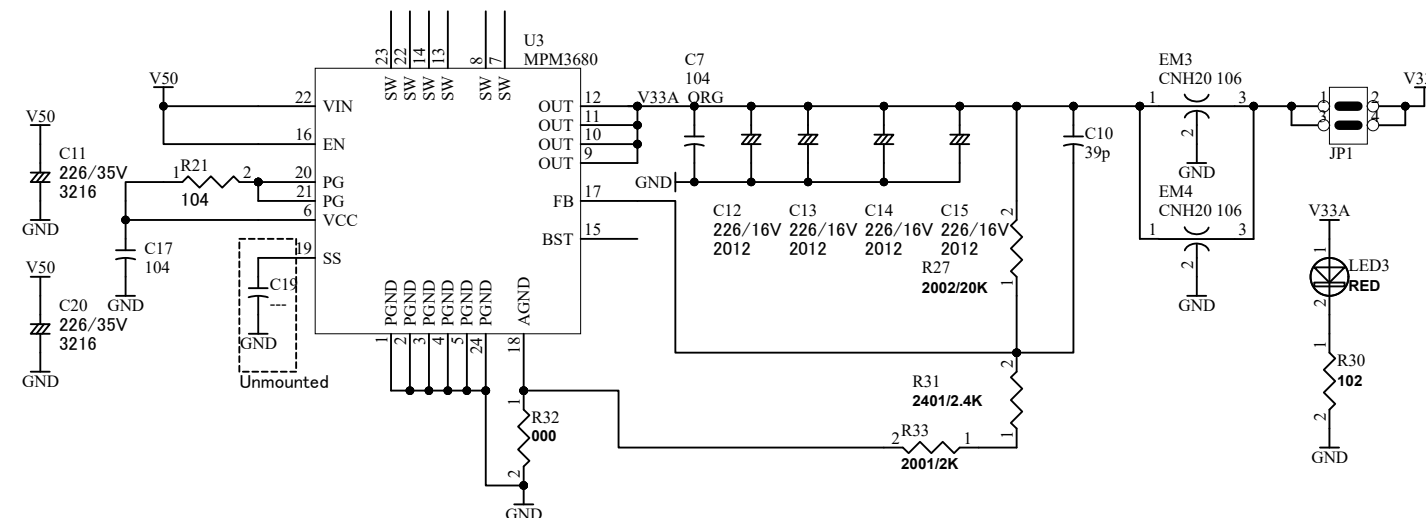
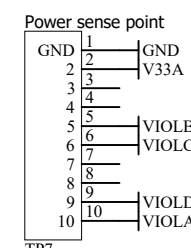
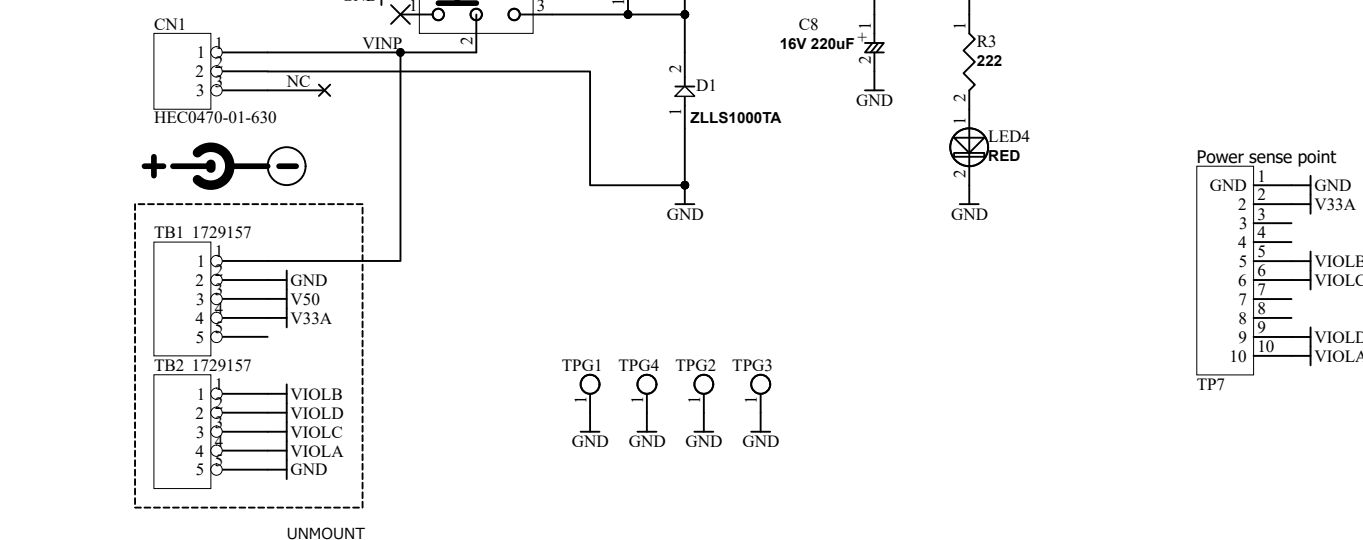


G1 PARTS

DC INPUT(JACK)

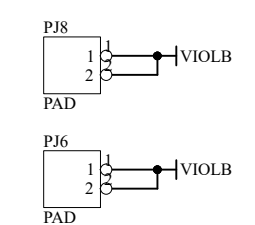
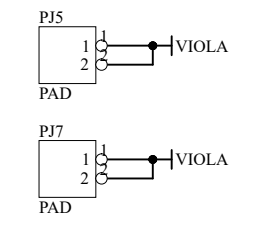
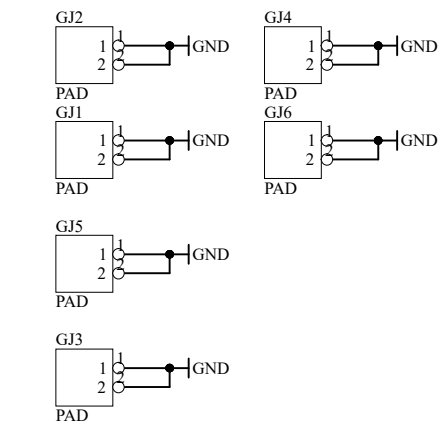
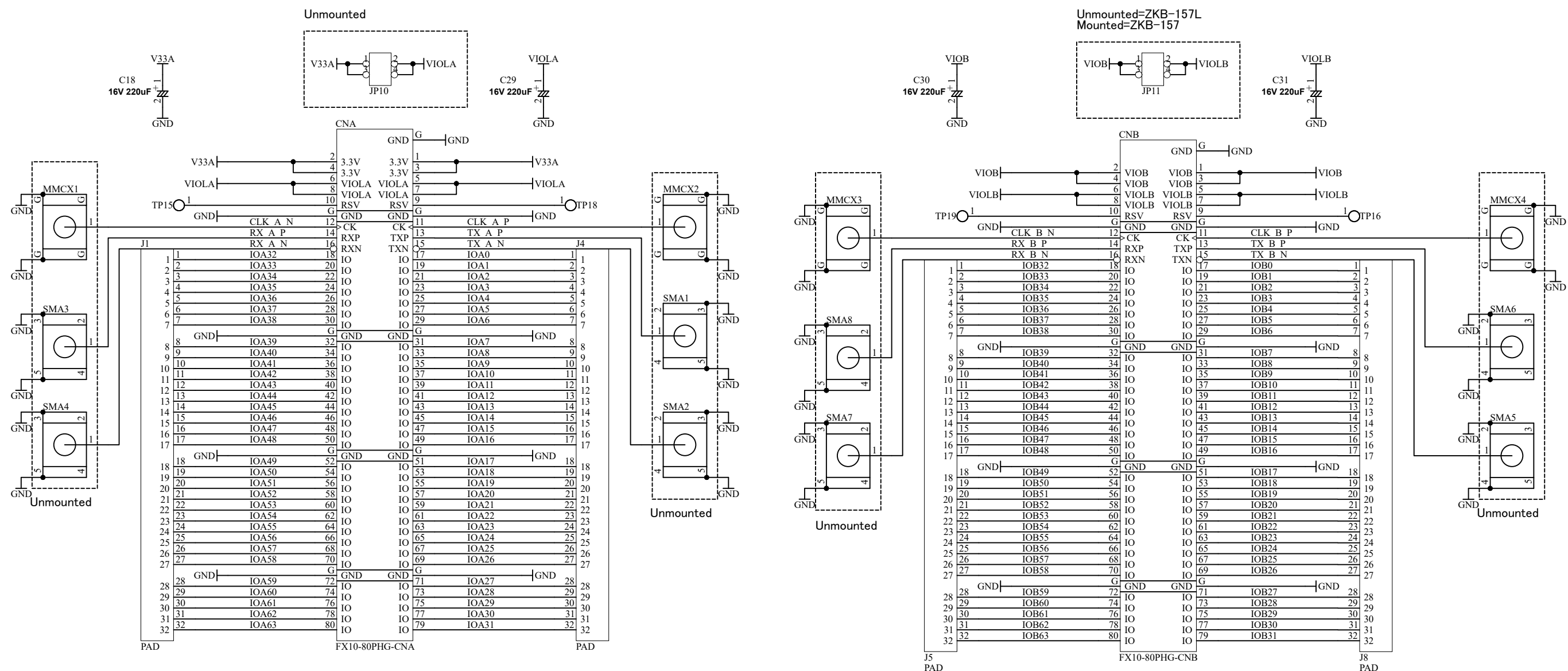


U_CNCD
 CNCD.SchDoc
 U_CNAB
 CNAB.SchDoc



DSN:	TITLE: Universal board for ACM/XCM-1/2 series	
DOC. No:	ZKB-157/157L	A
FILE: ZKB157A.SchDoc	DATE: 2023/08/18 10:37:55	Sheet: 1 / 3

ZKB157_157LR1-SCH-A.pdf



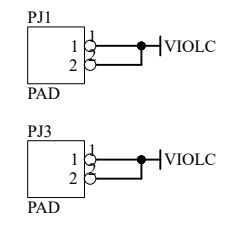
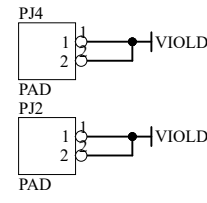
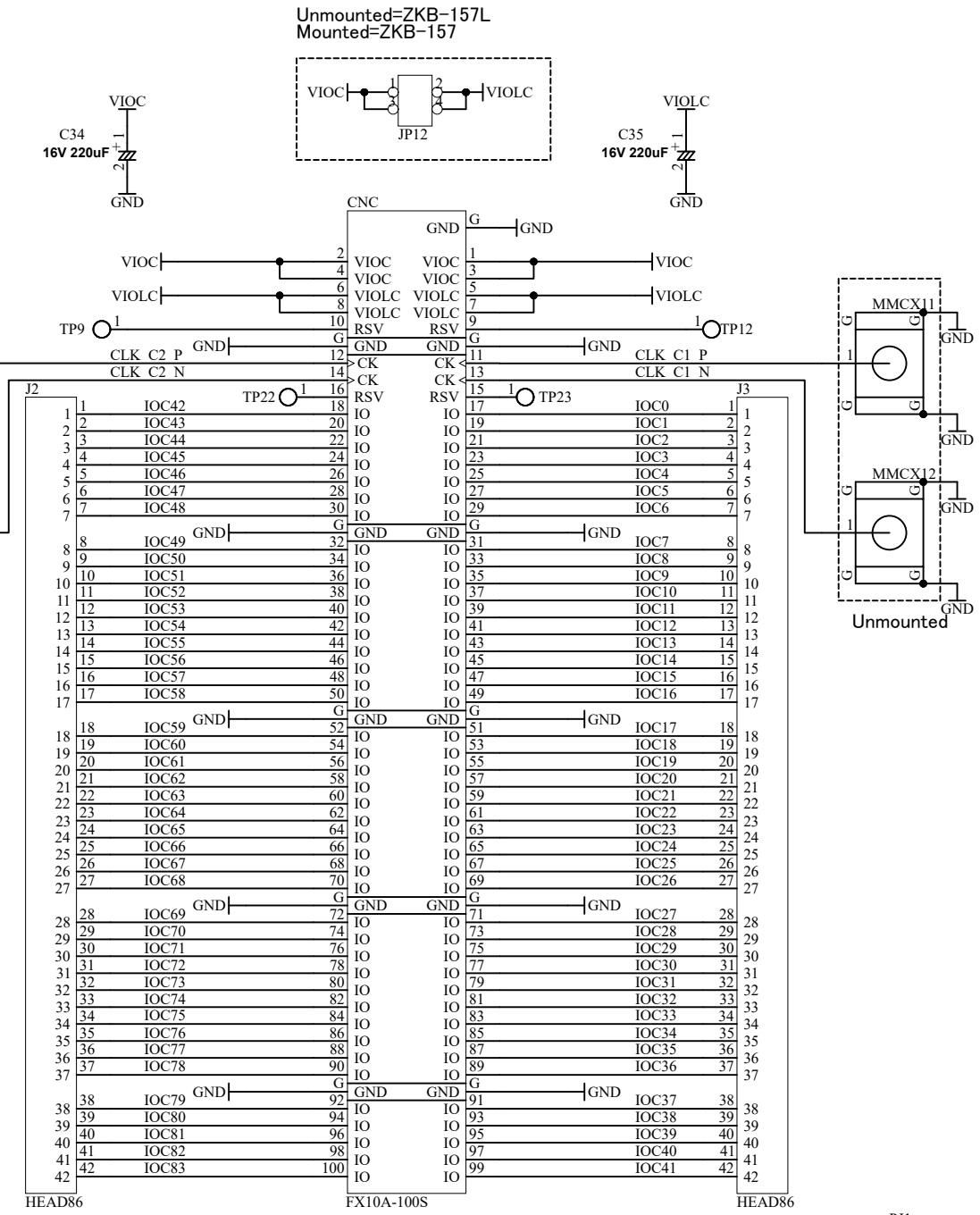
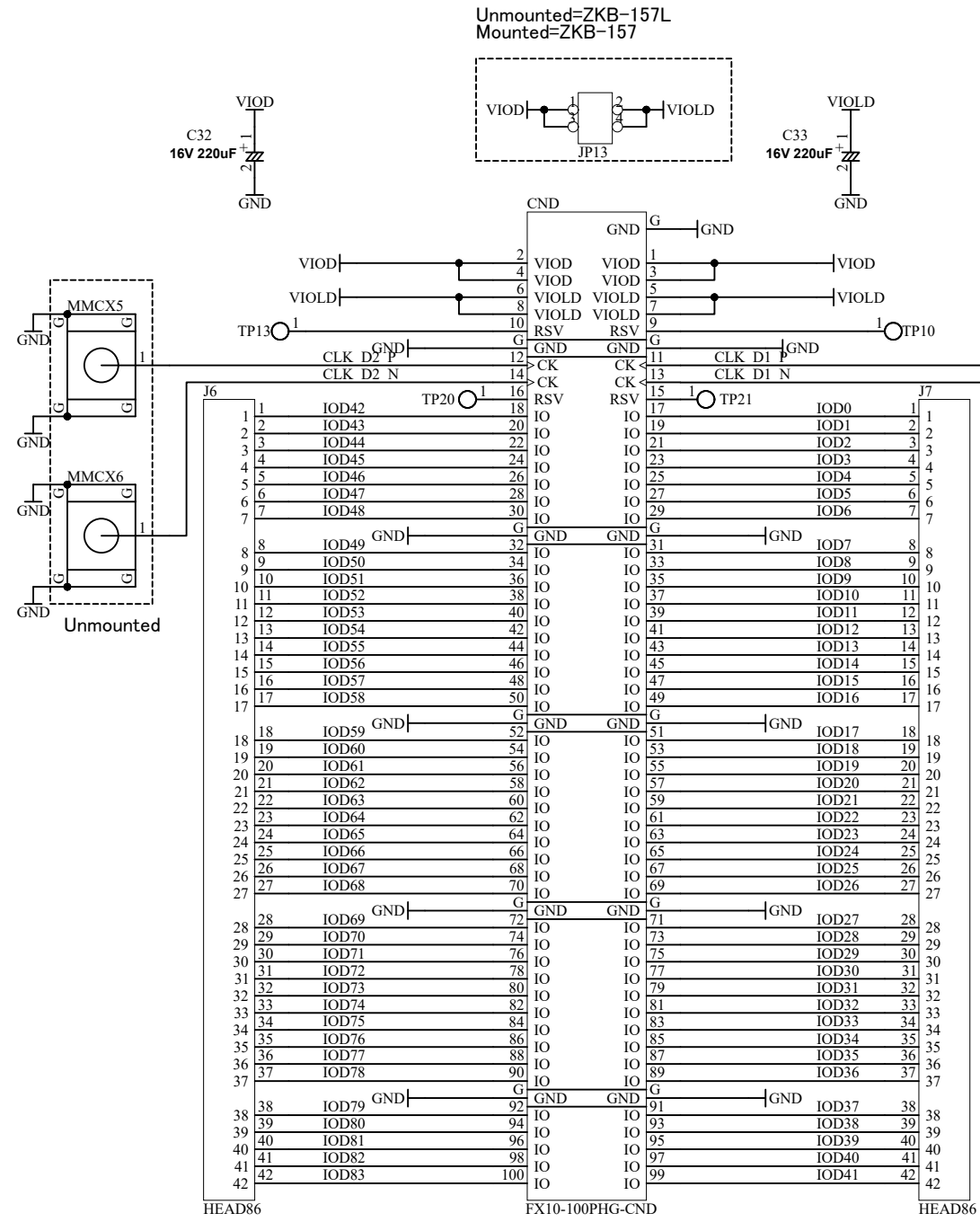
ZKB157_157LR1-SCH-A.pdf



DSN:	TITLE: Universal board for ACM/XCM-1/2 series
DOC. No:	ZKB-157/157L
FILE: CNAB.SchDoc	DATE: 2023/08/18 10:37:55
Sheet: 2 / 3	A

A

A



B

B

C

C

D

D