

SEAF-10-05.0-S-04-2-A-K-TR

SEAF-XX-XX.X-XX-XX-X-A-XX-K-TR

FIG. 1
-08: 8 ROW
(SEAF-30-05.0-XX-08-1-A-XX-K-TR SHOWN)
(ALL CONTACTS, POLYIMIDE NOT SHOWN FOR CLARITY)

No OF POSITIONS
****-10, ***-15, *****-19, -20, ☒-25, -30, -40, -50
(PER ROW)

TAPE & REEL
(SEE NOTES 8, 9 & 10)

POLYIMIDE PAD
(SEE FIG 4, SHT 2)
(SEE NOTE 7)

OPTION

-LP: LATCH POST OPTION
(SEE FIG 13, SHT 5)
(ONLY AVAILABLE WITH -05.0
LEAD STYLE, 4, 6, 8 & 10 ROWS)

**N: NOTCH

(SEE FIG 7, SHT 4)
(ONLY AVAILABLE IN
SEAF-30-05.0-XX-06-X-XX)

**RP: RETENTION PIN

(SEE FIG 16, SHT 5)
(ONLY AVAILABLE WITH -05.0
LEAD STYLE, 6, 8 & 10 ROWS)

-PP: POLARIZATION PIN

(SEE FIG 17, SHT 5)
(ONLY AVAILABLE WITH -05.0
LEAD STYLE, 6, 8 & 10 ROWS)

ALIGNMENT PIN

(SEE FIG 3, SHT 2)
(SEE NOTE 6)
(SEE NOTE 13)

SOLDER COMPOSITION & STYLE

-1: 63% TIN / 37% LEAD
CHARGE TAIL
(USE SUB-C-209-XX-X-S-1)

-2: 95.5% TIN/3.8% SILVER/.7% COPPER
CHARGE TAIL
(USE SUB-C-209-XX-X-S-2)

-3: 63% TIN / 37% LEAD

CRIMP TAIL
(USE SUB-C-305-XX-X-X-1)
(SEE FIG 15, SHT 6)
(ONLY AVAILABLE ON -05.0,
-06.0, -06.5 & -07.5 LEAD STYLES)

-4: 95.5% TIN/3.8% SILVER/.7% COPPER
CRIMP TAIL
(USE SUB-C-305-XX-X-X-2)
(SEE FIG 15, SHT 6)
(ONLY AVAILABLE ON -05.0,
-06.0, -06.5 & -07.5 LEAD STYLES)

LEAD STYLE
-05.0: .199[5.06] HEIGHT
-06.0: .238[6.05] HEIGHT
-06.5: .258[6.55] HEIGHT
☐-07.5: .297[7.54] HEIGHT
**-08.0: .317[8.05] HEIGHT
(SEE TABLE 1)

PLATING SPECIFICATION
-L: LIGHT GOLD IN CONTACT
AREA, MATTE TIN ON TAIL
(USE SUB-C-209-XX-X-L-X)
-SM: SELECTIVE GOLD IN
CONTACT AREA, MATTE TIN
ON TAIL. (USE SUB-C-209-XX-X-S-X)
-S: SELECTIVE GOLD IN CONTACT
AREA, MATTE TIN ON TAIL.
(USE SUB-C-209-XX-X-S-X)

ROW

-04: 4 ROWS (SEE FIG 12, SHT 5)
-05: 5 ROWS (SEE FIG 6, SHT 3)
-06: 6 ROWS (SEE FIG 5, SHT 3)
-08: 8 ROWS (SEE FIG 1)
-10: 10 ROWS (SEE FIG 2, SHT 2)

** = NOT RELEASED FOR PRODUCTION.

*** = ONLY AVAILABLE WITH BODY

HEIGHT -05.0 AND -10 ROW.

**** = 10 POSITION ONLY AVAILABLE

IN 4 ROW

*****= ONLY AVAILABLE WITH -06.5

LEAD STYLE AND -06 ROW.

☒= ONLY AVAILABLE WITH -05.0 AND -06.5

LEAD STYLE AND -04 ROW

☐= ONLY AVAILABLE WITH 30 POS & 4 ROW

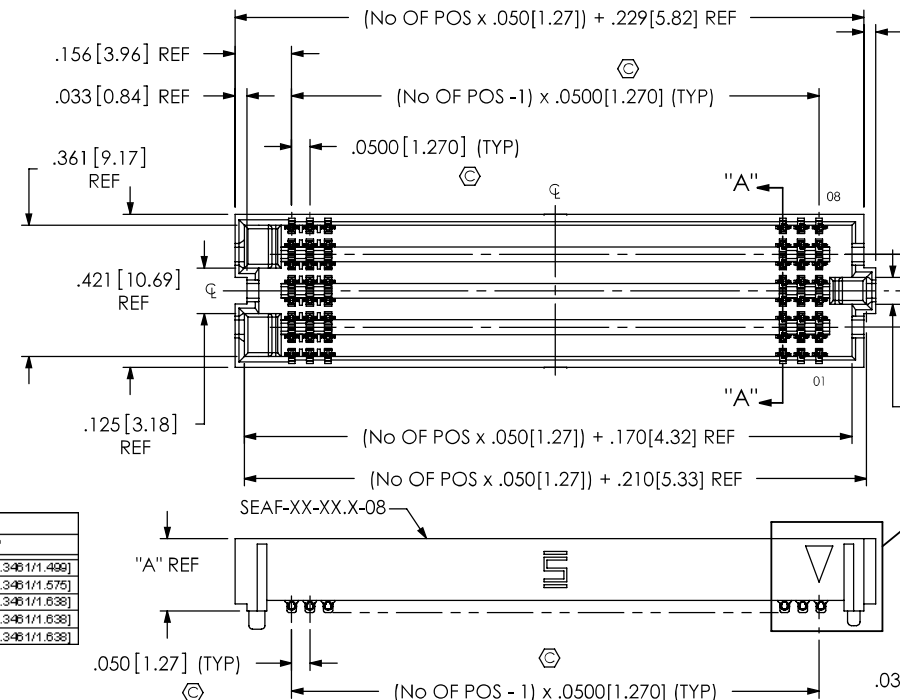


TABLE 8

LEAD STYLE	"J"
-05.0	.0530/0590 [1.346/1/1.496]
-06.0	.0630/0620 [1.346/1/1.675]
-06.5	.0630/0645 [1.346/1/1.836]
-07.5	.0530/0645 [1.346/1/1.836]
**08.0	.0530/0590 [1.346/1/1.836]

* = NOT TOOLED

TABLE 2
STACK HEIGHT

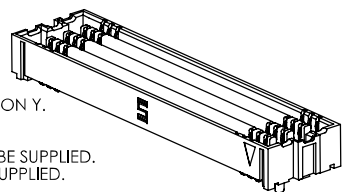
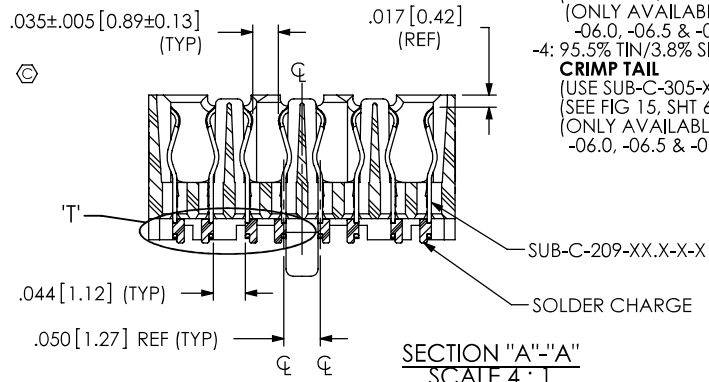
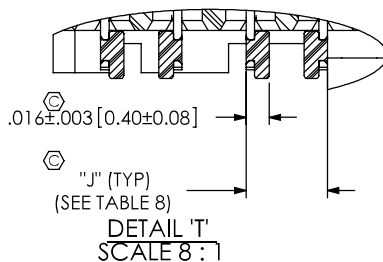
SEAF LEAD STYLE	-02.0	-03.0	-03.5	-06.5	-07.0	-09.0	-11.0	*-13.0
-05.0	7mm	8mm	8.5mm	11.5mm	12mm	14mm	16mm	18mm
-06.0	8mm	9mm	9.5mm	12.5mm	13mm	15mm	17mm	19mm
-06.5	8.5mm	9.5mm	10mm	13mm	13.5mm	15.5mm	17.5mm	19.5mm
-07.5	9.5mm	10.5mm	11mm	14mm	14.5mm	16.5mm	18.5mm	20.5mm
-08.0	10mm	11mm	11.5mm	14.5mm	15mm	17mm	19mm	21mm

TABLE 1

STYLE	"A"	BODY CALLOUT	CONTACT
-05.0	0.199 [5.05]	SEAF-XX-05.0-XXX	SUB-C-209-05.0-X-X
-06.0	0.238 [6.05]	SEAF-XX-06.0-XX-X	SUB-C-209-06.0-X-X
-06.5	0.258 [6.55]	SEAF-XX-06.5-XX-X	SUB-C-209-06.5-X-X
-07.5	0.297 [7.54]	SEAF-XX-07.5-XX-X	SUB-C-209-07.5-X-X
08.0	0.317 [8.05]	SEAF-XX-08.0-XX-X	SUB-C-209-08.0-X-X

NOTES:

- ① REPRESENTS A CRITICAL DIMENSION.
- MINIMUM PUSHOUT FORCE: .75 LBS.
- NOTE DELETED.
- 5 ROW SOLDER TAILS ARE NOT SYMMETRICAL WITH BODY WIDTH (DIM .321[8.15]); SEE FIG. 6, SHEET 3).
- INSPECT DIMENSION AT 4 CORNERS OF PART.
- WITHOUT -A AVAILABLE FOR EXISTING CUSTOMERS ONLY AS OF REVISION Y.
- POLYIMIDE PAD WILL BE SUPPLIED WHETHER OR NOT -K IS SPECIFIED.
- TAPE & REEL WILL BE SUPPLIED WHETHER OR NOT -TR IS SPECIFIED.
- FOR QUANTITIES UP TO 49 PIECES, NO LEADER, TRAILER, OR REEL WILL BE SUPPLIED.
- FOR QUANTITIES OF 50 - 124 PIECES, NO LEADER OR TRAILER WILL BE SUPPLIED.
- ATTACH LABEL "SEAX-Q001" TO EACH TAPE & REEL PACKAGE.
- SEE RECOMMENDED FOOTPRINT DRAWING FOR STENCIL REQUIREMENTS.
- SOLDER CHARGE VOLUME IS .891 x 10⁻⁵ IN ³ REF.
- FOR VITA REQUIREMENTS, -A PIN SHOULD NOT BE ORDERED.
- SLOT ORIENTATION MUST BE AS SHOWN.



UNLESS OTHERWISE SPECIFIED, DIMENSIONS ARE IN INCHES. TOLERANCES ARE: DECIMALS ANGLES XX: ±.01 [.3] XX: ±.005 [.13] XXXX: ±.0020 [.051]	PROPRIETARY NOTE THIS DOCUMENT CONTAINS INFORMATION CONFIDENTIAL AND PROPRIETARY TO SAMTEC, INC. AND SHALL NOT BE REPRODUCED OR TRANSFERRED TO OTHER DOCUMENTS OR DISCLOSED TO OTHERS OR USED FOR ANY PURPOSE OTHER THAN THAT WHICH IT WAS OBTAINED WITHOUT THE EXPRESSED WRITTEN CONSENT OF SAMTEC, INC.	 520 PARK EAST BLVD, NEW ALBANY, IN 47150 PHONE: 812-944-6733 FAX: 812-948-5047 e-Mail info@SAMTEC.com code 55322
MATERIAL: DO NOT SCALE DRAWING SHEET SCALE: 2:1 INSULATOR: LCP, COLOR: BLACK CONTACT OR TERMINAL: COPPER ALLOY	DESCRIPTION: .050 PITCH SOCKET ARRAY ASSEMBLY DWG. NO. SEAF-XX-XX.X-XX-XX-X-A-XX-K-TR BY: BRATCHER 05/27/2004 SHEET 1 OF 6	

REVISION AR

FIG 2
-10: 10 ROW
(SAME AS FIG 1, EXCEPT AS SHOWN)
(SEAF-30-05.0-XX-10-1-A-XX-K-TR SHOWN)
(ALL CONTACTS, POLYIMIDE NOT SHOWN FOR CLARITY)

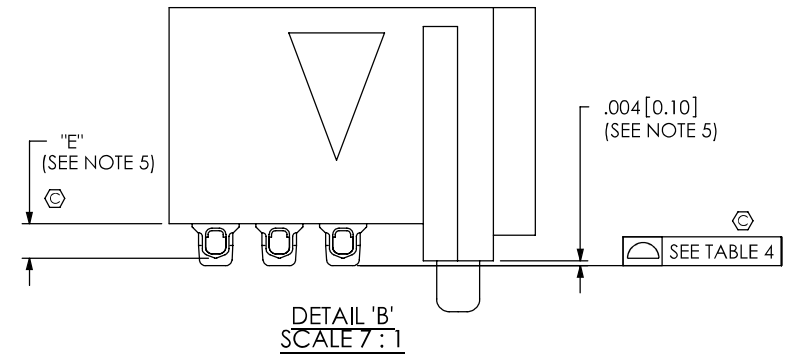
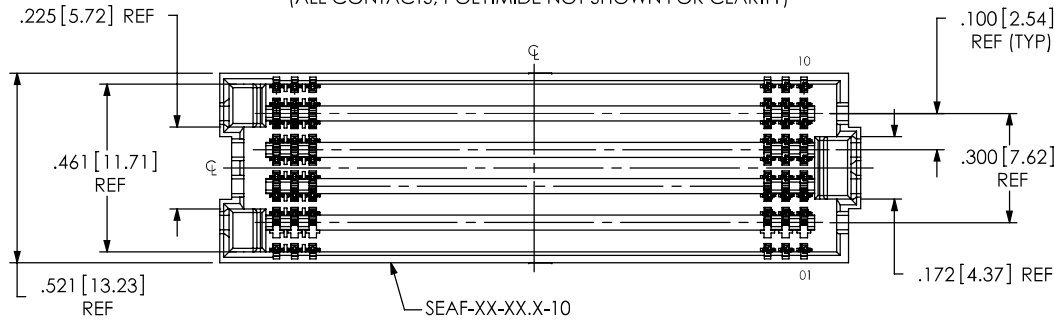


TABLE 4

POSITION	FLATNESS
-10 TO -30	.006 [0.15]
-40	.009 [0.23]
-50	.009 [0.23]

TABLE 5

LEAD STYLE	"E"
-05.0	.0270 [0.688]
-06.0	.0660 [1.676]
-06.5	.0860 [2.184]
-07.5	.0660 [1.677]
-08.0	.0660 [1.677]

FIG 3
-A: ALIGNMENT PINS
(SAME AS FIG 1, EXCEPT AS SHOWN)
(SEAF-30-05.0-XX-08-1-A-XX-K-TR SHOWN)
(ALL CONTACTS, POLYIMIDE NOT SHOWN FOR CLARITY)

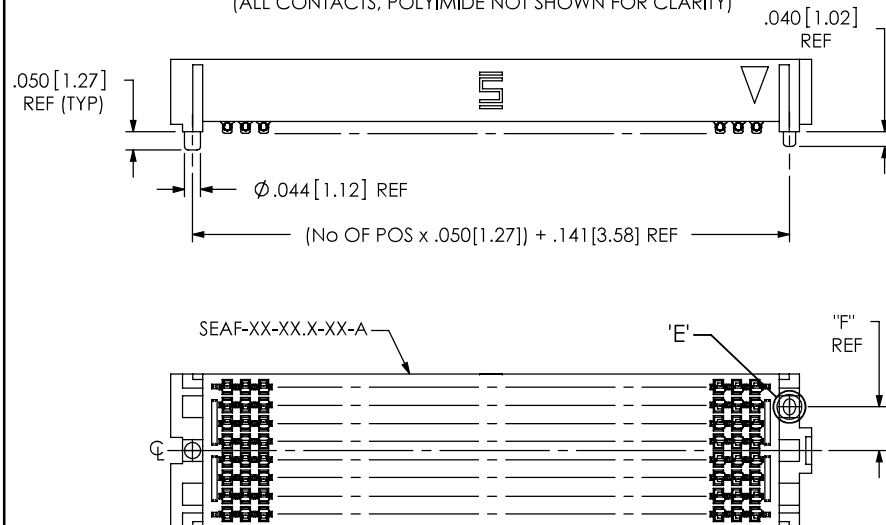


FIG 4
-K: POLYIMIDE PAD
(SEAF-30-05.0-XX-08-1-A-XX-K-TR SHOWN)
(SAME AS FIG 1, EXCEPT AS SHOWN)
(ALL CONTACTS NOT SHOWN FOR CLARITY)
(HAND PLACE USE K-850-650)

DOT APPLICATOR-KAPTON TAPE: USE
-04 ROW: K-DOT-.138-.250-.005
-05/-06 ROW: K-DOT-.236-.343-.005
-08 ROW: K-DOT-.325-.450-.005
-10 ROW: K-DOT-.404-.500-.005

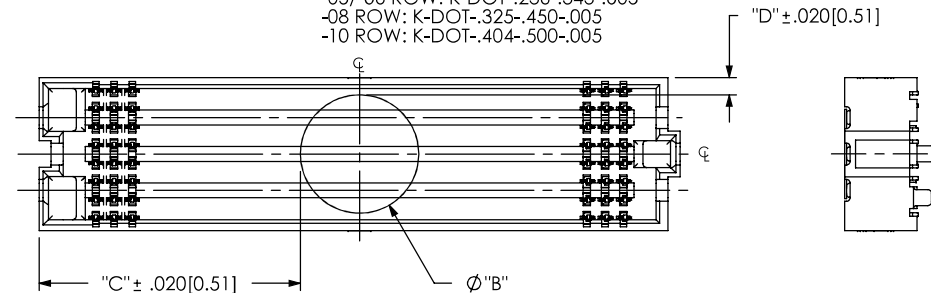
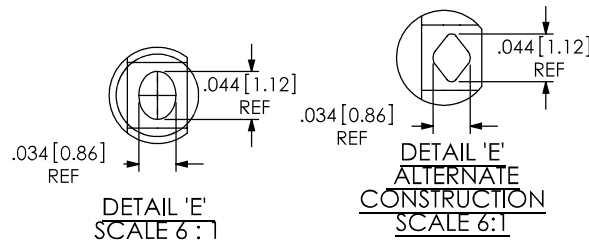


TABLE 3

ROW	"B"	"C"	"D"
-04	0.138 [3.50]	(((No OF POS x .050 [1.27]) + .263 [6.68]) - "B") / 2	0.042 [1.07]
-05, -06	0.236 [6.00]		0.043 [1.09]
-08	0.325 [8.25]		0.048 [1.22]
-10	0.404 [10.25]		0.059 [1.50]

TABLE 6

No. OF ROWS	"F"
-04	.079 [2.01]
-05	.120 [3.05]
-06	.120 [3.05]
-08	.120 [3.05]
-10	.120 [3.05]



PROPRIETARY NOTE
THIS DOCUMENT CONTAINS INFORMATION CONFIDENTIAL AND PROPRIETARY TO SAMTEC, INC. AND SHALL NOT BE REPRODUCED OR TRANSFERRED TO OTHER DOCUMENTS OR DISCLOSED TO OTHERS OR USED FOR ANY PURPOSE OTHER THAN THAT WHICH IT WAS OBTAINED WITHOUT THE EXPRESSED WRITTEN CONSENT OF SAMTEC, INC.

DO NOT SCALE DRAWING

SHEET SCALE: 2:1

samtec

520 PARK EAST BLVD, NEW ALBANY, IN 47150
PHONE: 812-944-6733 FAX: 812-948-5047
e-Mail info@SAMTEC.com code 55322

DESCRIPTION:
.050 PITCH SOCKET ARRAY ASSEMBLY
DWG. NO.
SEAF-XX-XX.X-XX-XX-X-A-XX-K-TR
BY: BRATCHER 05/27/2004 SHEET 2 OF 6

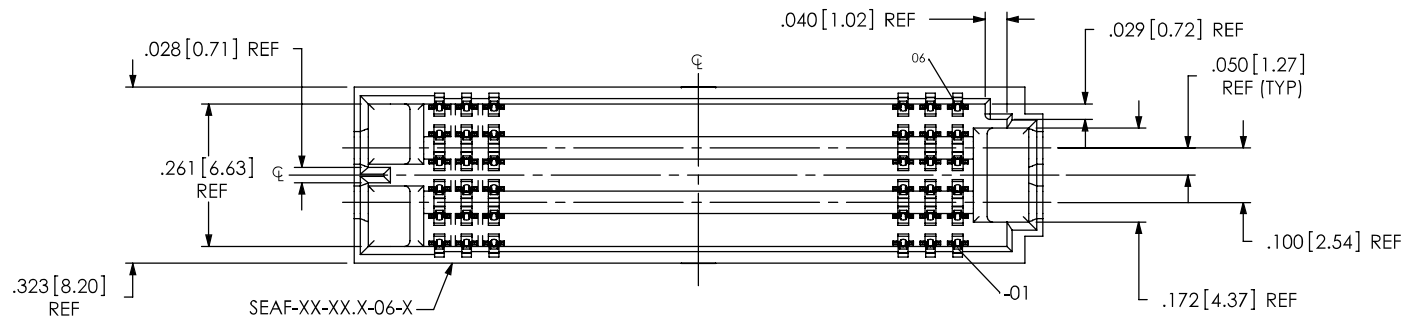


FIG 5
-06: 6 ROW
(SAME AS FIG. 1, EXCEPT AS SHOWN)
(SEAF-20-05.0-XX-06-1-A-XX-K-TR SHOWN)
(ALL CONTACTS, POLYIMIDE NOT SHOWN FOR CLARITY)

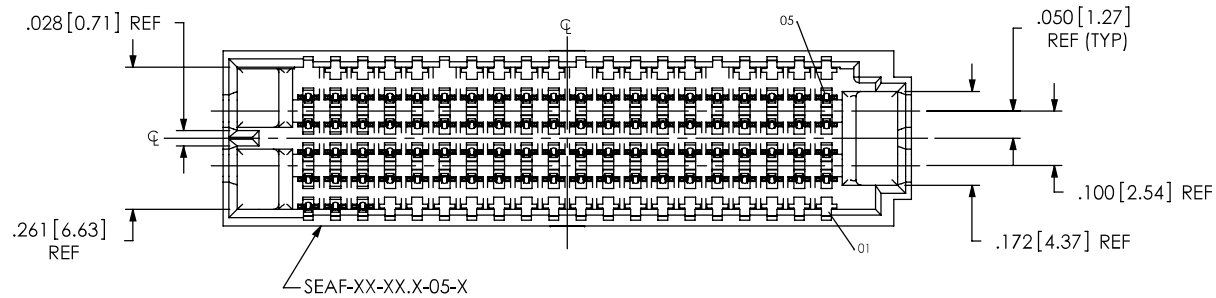
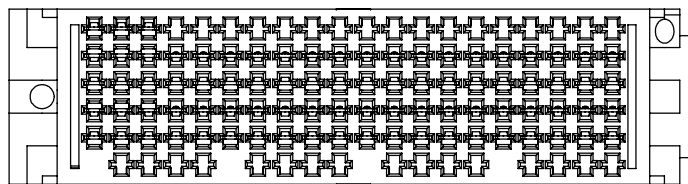
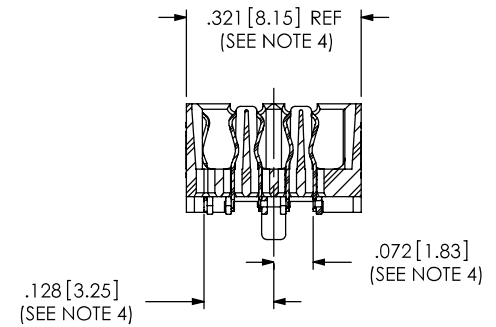
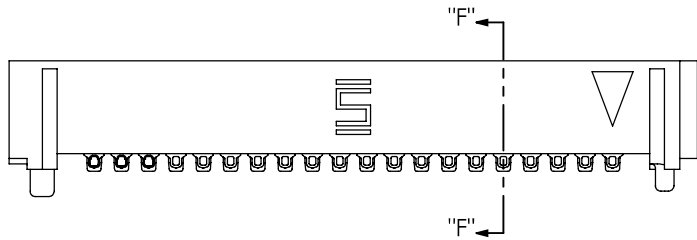


FIG 6
-05: 5 ROW
(SAME AS FIG. 5, EXCEPT AS SHOWN)
(SEAF-20-05.0-XX-05-1-A-XX-K-TR SHOWN)
(POLYIMIDE NOT SHOWN FOR CLARITY)



SECTION "F"-"F"

PROPRIETARY NOTE
THIS DOCUMENT CONTAINS INFORMATION CONFIDENTIAL AND PROPRIETARY TO SAMTEC, INC. AND SHALL NOT BE REPRODUCED OR TRANSFERRED TO OTHER DOCUMENTS OR DISCLOSED TO OTHERS OR USED FOR ANY PURPOSE OTHER THAN THAT WHICH IT WAS OBTAINED WITHOUT THE EXPRESSED WRITTEN CONSENT OF SAMTEC, INC.

DO NOT SCALE DRAWING

SHEET SCALE: 1:0.333333



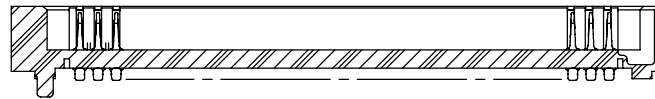
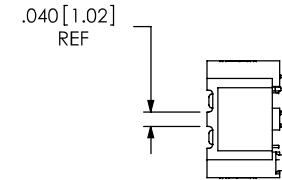
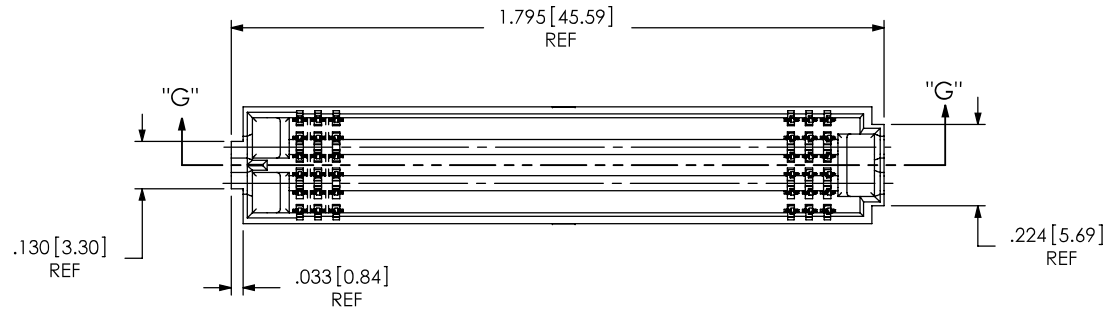
520 PARK EAST BLVD, NEW ALBANY, IN 47150
PHONE: 812-944-6733 FAX: 812-948-5047
e-Mail info@SAMTEC.com code 55322

DESCRIPTION:
.050 PITCH SOCKET ARRAY ASSEMBLY

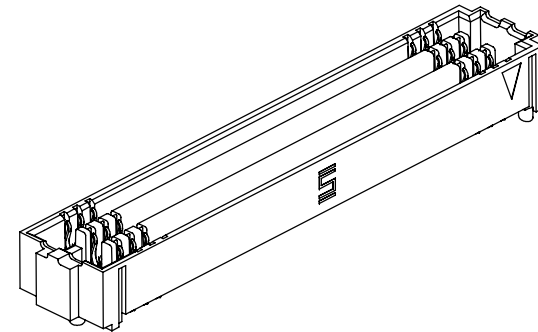
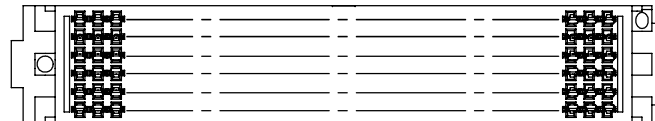
DWG. NO.
SEAF-XX-XX.X-XX-XX-X-A-XX-K-TR

BY: BRATCHER 05/27/2004 SHEET 3 OF 6

FIG7
 **N: NOTCH OPTION
 (SAME AS FIG 3, EXCEPT AS SHOWN)
 (SEAF-30-05.0-XX-06-1-A-N-K-TR SHOWN)
 (-05.0 LEAD STYLE ONLY)
 (ALL CONTACTS, POLYIMIDE NOT SHOWN FOR CLARITY)
 ** = NOT RELEASE PRODUCTION



SECTION "G"- "G"



PROPRIETARY NOTE

THIS DOCUMENT CONTAINS INFORMATION CONFIDENTIAL AND PROPRIETARY TO SAMTEC, INC. AND SHALL NOT BE REPRODUCED OR TRANSFERRED TO OTHER DOCUMENTS OR DISCLOSED TO OTHERS OR USED FOR ANY PURPOSE OTHER THAN THAT WHICH IT WAS OBTAINED WITHOUT THE EXPRESSED WRITTEN CONSENT OF SAMTEC, INC.

DO NOT SCALE DRAWING

SHEET SCALE: 2:1

samtec

520 PARK EAST BLVD, NEW ALBANY, IN 47150
 PHONE: 812-944-6733 FAX: 812-948-5047
 e-Mail info@SAMTEC.com code 55322

DESCRIPTION:
 .050 PITCH SOCKET ARRAY ASSEMBLY

DWG. NO.
 SEAF-XX-XX.X-XX-XX-X-A-XX-K-TR

BY: BRATCHER 05/27/2004 SHEET 4 OF 6

REVISION AR

FIG 12
 -04: 4 ROW
 (SEAF-20-05.0-XX-04-1-A-XX-K-TR SHOWN)
 (ALL CONTACTS, POLYIMIDE NOT SHOWN FOR CLARITY)
 (SAME AS FIG1 EXCEPT AS SHOWN)

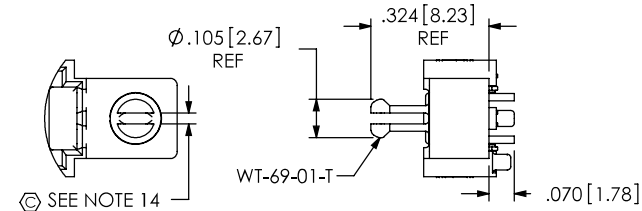
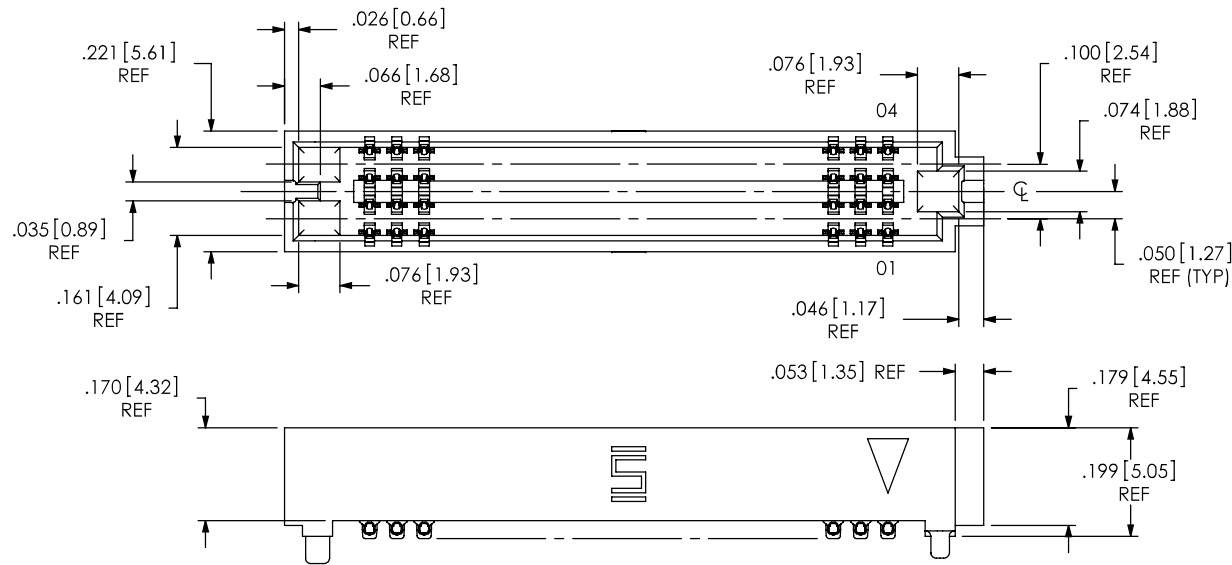


FIG 16
 -RP OPTION
 (SEAF-30-05.0-XX-06-1-A-RP-K-TR SHOWN)
 (ALL CONTACTS, POLYIMIDE NOT SHOWN FOR CLARITY)
 (SAME AS FIG 13 EXCEPT AS SHOWN)
 (-PP OPTION VALID FOR SEAR MATE ONLY)
 (ONLY AVAILABLE WITH -05.0 LEAD STYLE 6, 8 & 10 ROW)

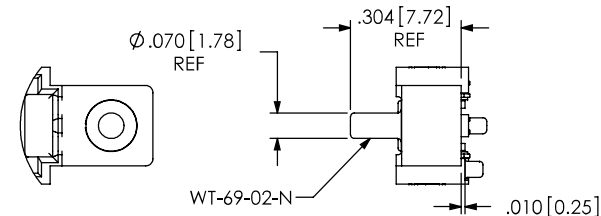


FIG 17
 -PP OPTION
 (SEAF-30-05.0-XX-06-1-A-PP-K-TR SHOWN)
 (ALL CONTACTS, POLYIMIDE NOT SHOWN FOR CLARITY)
 (SAME AS FIG 13 EXCEPT AS SHOWN)
 (-PP OPTION VALID FOR SEAR MATE ONLY)
 (ONLY AVAILABLE WITH -05.0 LEAD STYLE 6, 8 & 10 ROW)

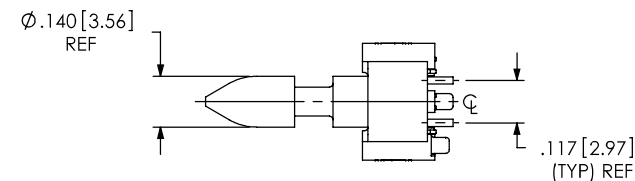
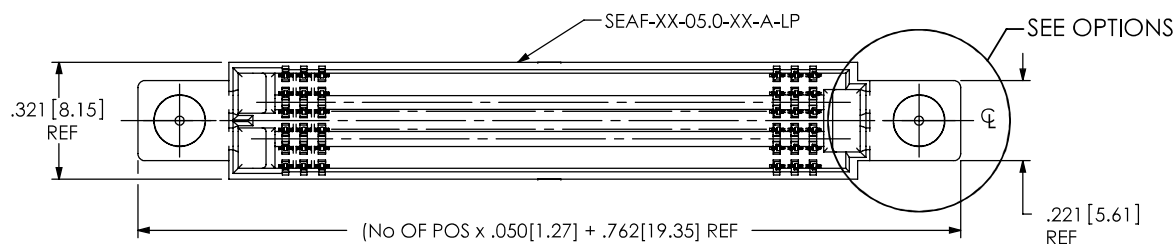
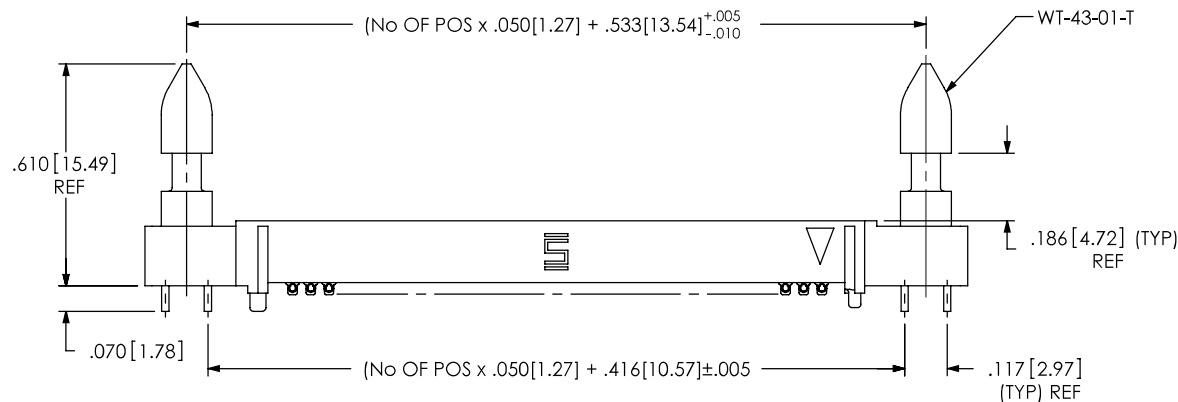


FIG 13
 -LP OPTION
 (SEAF-30-05.0-XX-06-1-A-LP-K-TR SHOWN)
 (ALL CONTACTS, POLYIMIDE NOT SHOWN FOR CLARITY)
 (SAME AS FIG. 12 EXCEPT AS SHOWN)
 (-LP OPTION REQUIRED FOR SEAC MATE ONLY)
 (ONLY AVAILABLE WITH -05.0 LEAD STYLE 4, 6, 8 & 10 ROW)



AR

<p>PROPRIETARY NOTE THIS DOCUMENT CONTAINS INFORMATION CONFIDENTIAL AND PROPRIETARY TO SAMTEC, INC. AND SHALL NOT BE REPRODUCED OR TRANSFERRED TO OTHER DOCUMENTS OR DISCLOSED TO OTHERS OR USED FOR ANY PURPOSE OTHER THAN THAT WHICH IT WAS OBTAINED WITHOUT THE EXPRESSED WRITTEN CONSENT OF SAMTEC, INC.</p> <p>DO NOT SCALE DRAWING</p> <p>SHEET SCALE: 1:0.333333</p>		
	<p>520 PARK EAST BLVD. NEW ALBANY, IN 47150 PHONE: 812-944-6733 FAX: 812-948-5047 e-Mail info@SAMTEC.com code 55322</p>	
	<p>DESCRIPTION: .050 PITCH SOCKET ARRAY ASSEMBLY</p>	
	<p>DWG. NO. SEAF-XX-XX.X-XX-XX-X-A-XX-K-TR</p>	<p>BY: BRATCHER 05/27/2004 SHEET 5 OF 6</p>

REVISION AR

FIG 14

**_04: 4 ROW
 (SEAF-30-08.0-XX-04-1-A-XX-K-TR SHOWN)
 (ALL CONTACTS, POLYIMIDE NOT SHOWN FOR CLARITY)
 (SAME AS FIG 1 EXCEPT AS SHOWN)
 ** = NOT RELEASED FOR PRODUCTION

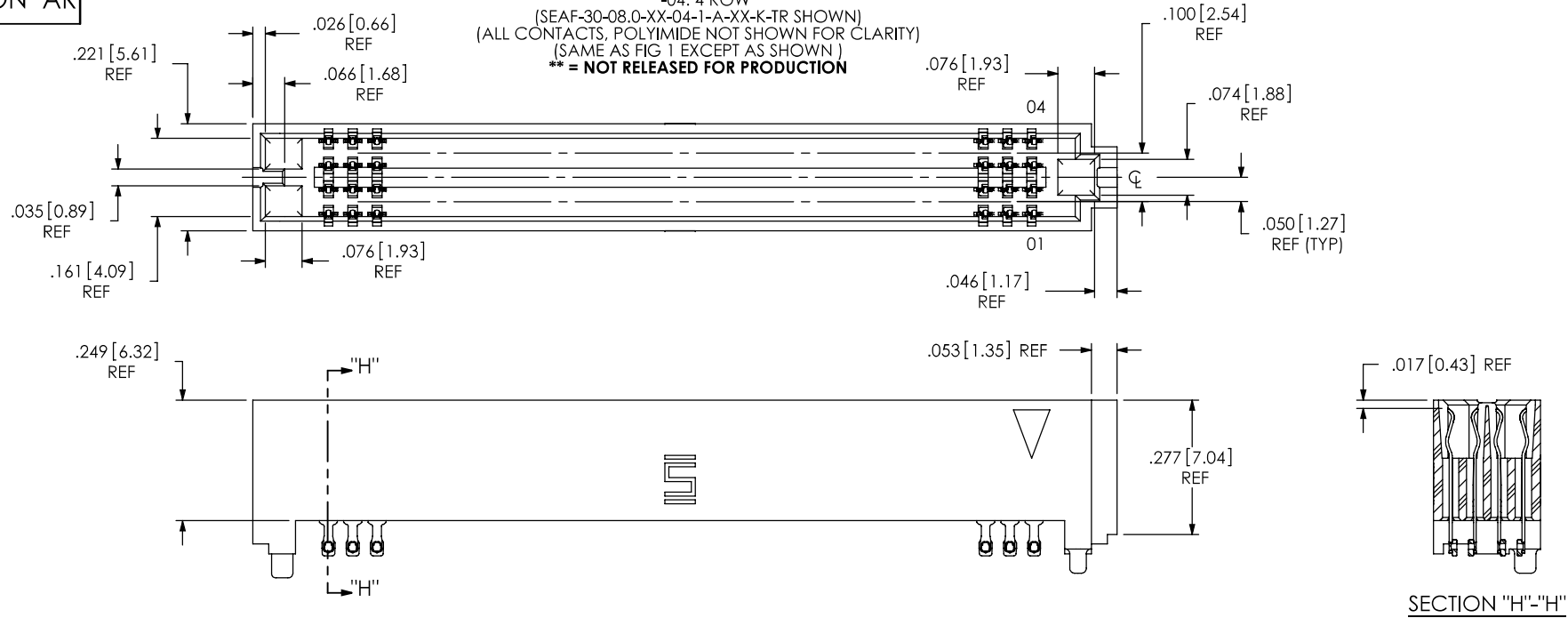
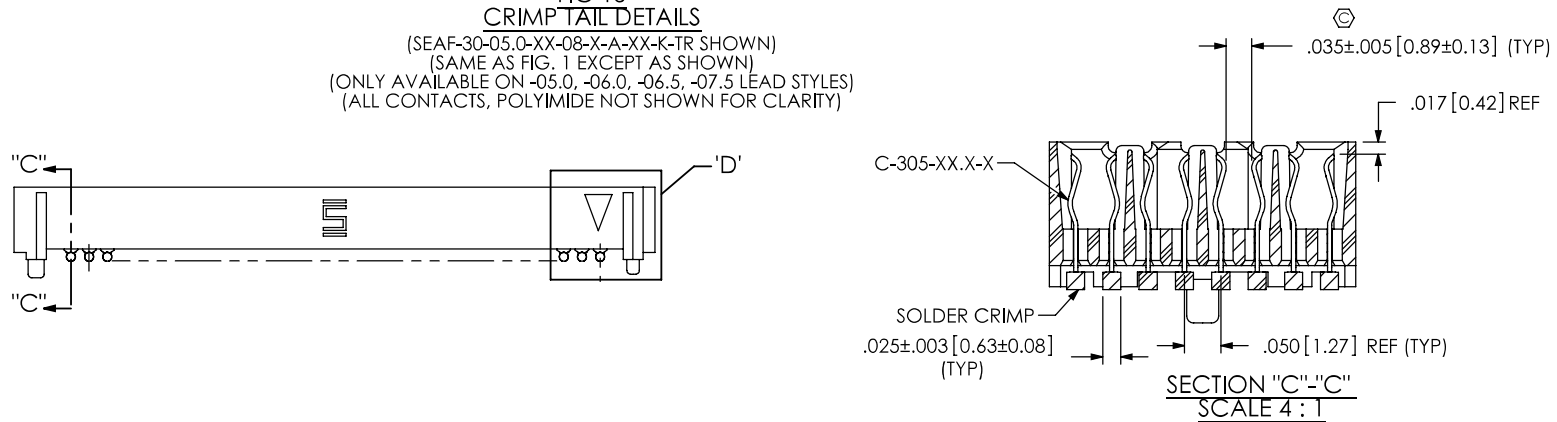
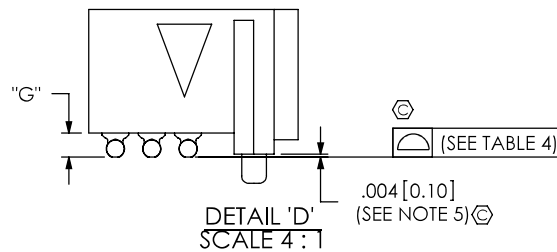


FIG 15
 CRIMP TAIL DETAILS

(SEAF-30-05.0-XX-08-X-A-XX-K-TR SHOWN)
 (SAME AS FIG. 1 EXCEPT AS SHOWN)
 (ONLY AVAILABLE ON -.05.0, -.06.0, -.06.5, -.07.5 LEAD STYLES)
 (ALL CONTACTS, POLYIMIDE NOT SHOWN FOR CLARITY)



LEAD STYLE	"G"
-05.0	.0330[0.838]
-06.0	.0720[1.829]
-06.5	.0920[2.337]



<p>PROPRIETARY NOTE THIS DOCUMENT CONTAINS INFORMATION CONFIDENTIAL AND PROPRIETARY TO SAMTEC, INC. AND SHALL NOT BE REPRODUCED OR TRANSFERRED TO OTHER DOCUMENTS OR DISCLOSED TO OTHERS OR USED FOR ANY PURPOSE OTHER THAN THAT WHICH IT WAS OBTAINED WITHOUT THE EXPRESSED WRITTEN CONSENT OF SAMTEC, INC.</p> <p>DO NOT SCALE DRAWING</p> <p>SHEET SCALE: 1:0.333333</p>	<p>520 PARK EAST BLVD. NEW ALBANY, IN 47150 PHONE: 812-944-6733 FAX: 812-948-5047 e-Mail info@SAMTEC.com code 55322</p>
	<p>DESCRIPTION: .050 PITCH SOCKET ARRAY ASSEMBLY</p>
	<p>DWG. NO. SEAF-XX-XX.X-XX-XX-X-A-XX-K-TR</p>
	<p>BY: BRATCHER 05/27/2004 SHEET 6 OF 6</p>