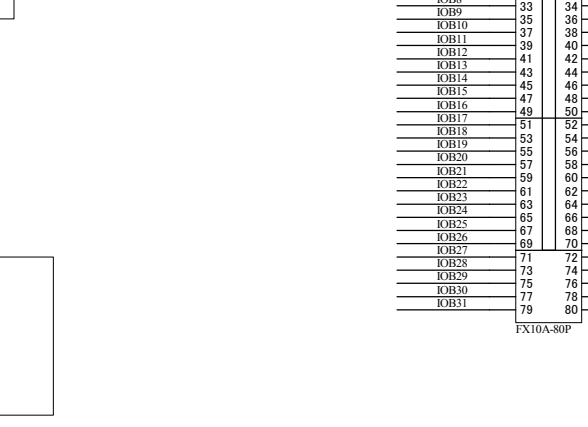
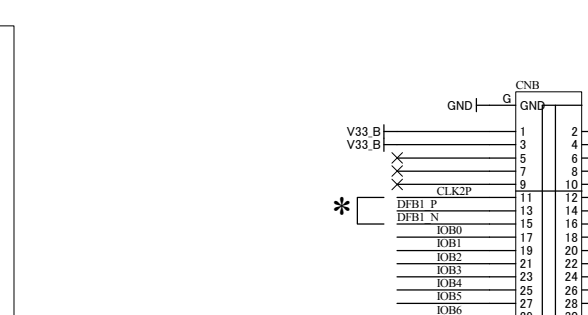
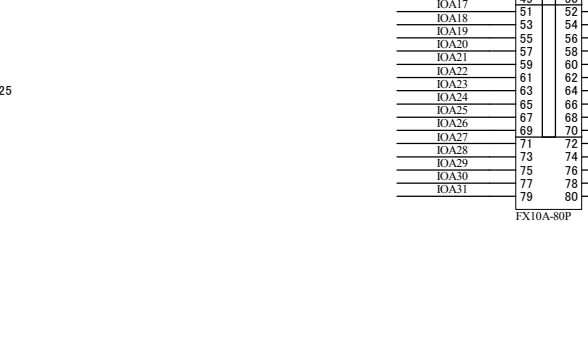
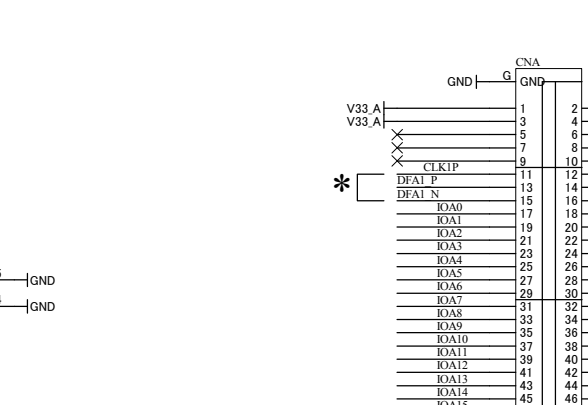
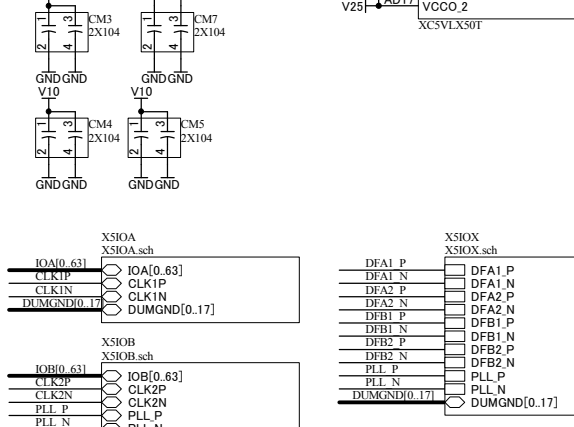
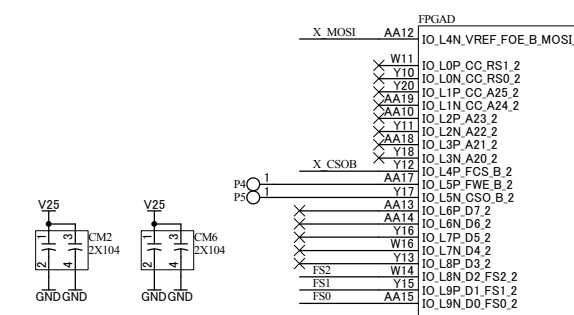
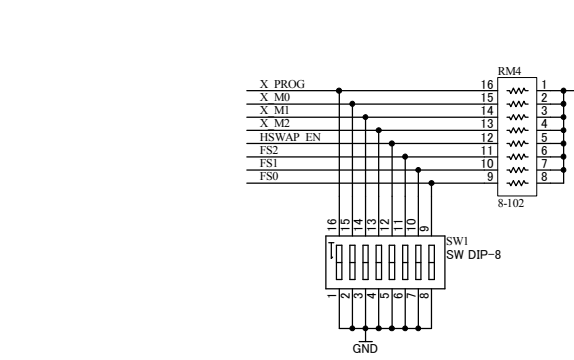
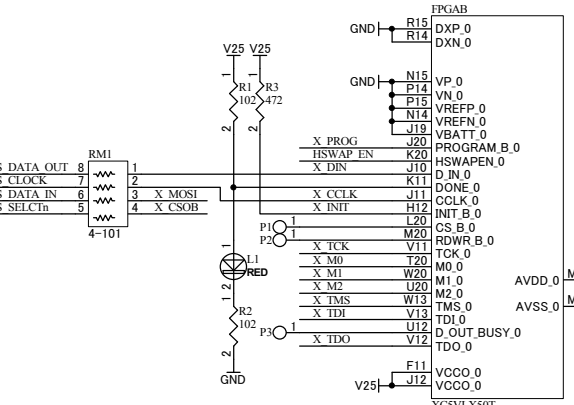
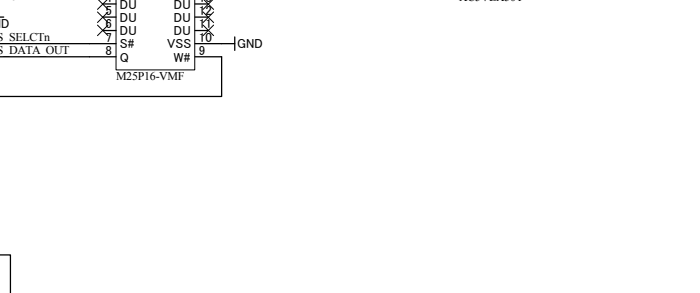
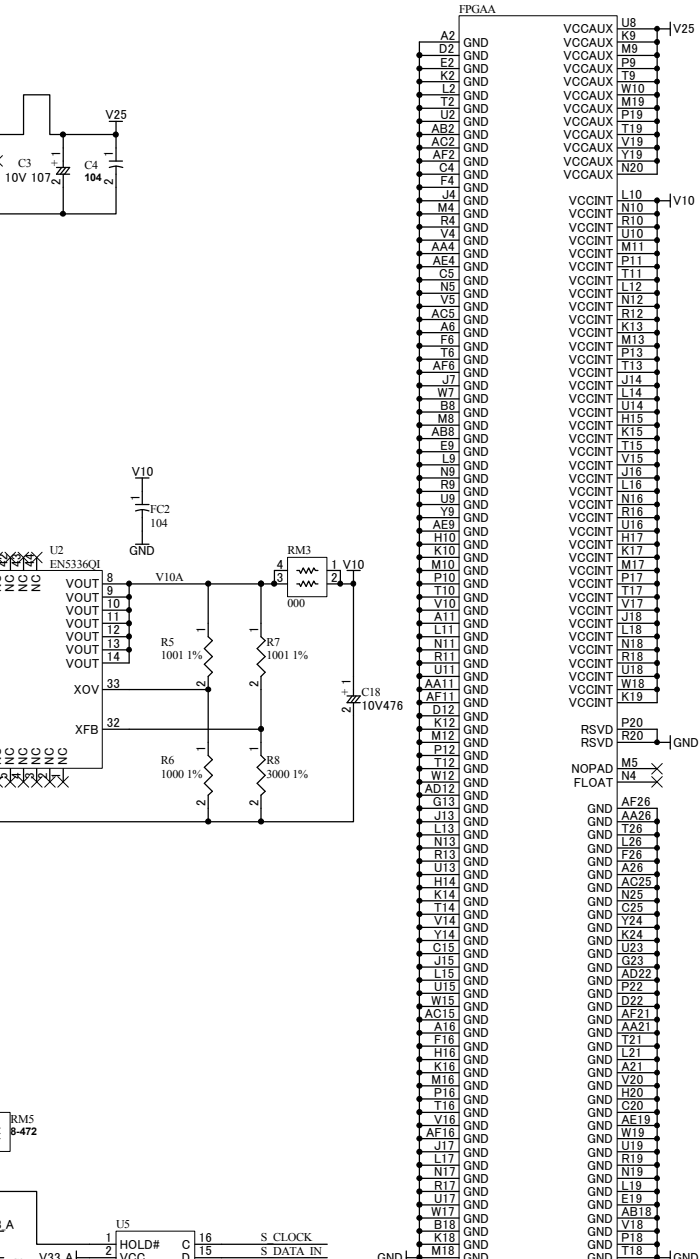
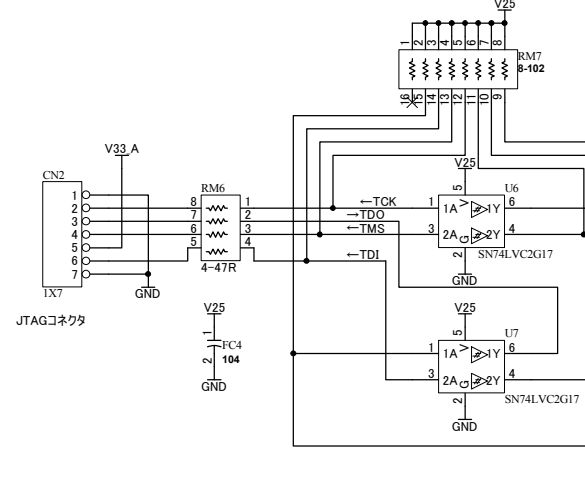
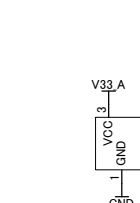
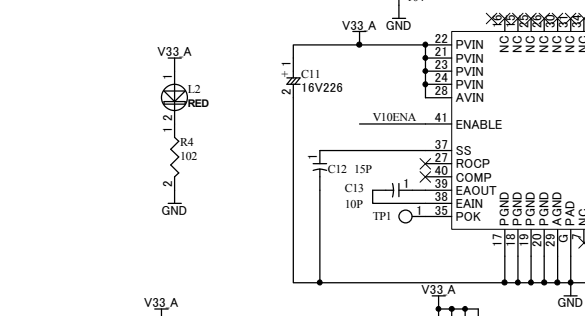
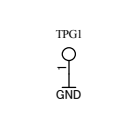
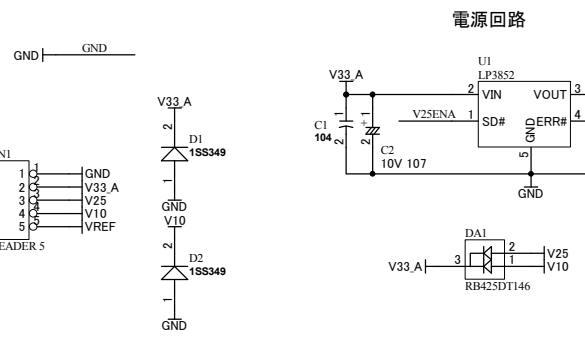


V10 V10  
V12 V12  
V25 V25  
V33.A V33.A  
V33.B V33.B  
VREF VREF



Pin	Signal	Pin	Signal
1	IOA0	31	IOA40
2	IOA1	32	IOA41
3	IOA2	33	IOA42
4	IOA3	34	IOA43
5	IOA4	35	IOA44
6	IOA5	36	IOA45
7	IOA6	37	IOA46
8	IOA7	38	IOA47
9	IOA8	39	IOA48
10	IOA9	40	IOA49
11	IOA10	41	IOA50
12	IOA11	42	IOA51
13	IOA12	43	IOA52
14	IOA13	44	IOA53
15	IOA14	45	IOA54
16	IOA15	46	IOA55
17	IOA16	47	IOA56
18	IOA17	48	IOA57
19	IOA18	49	IOA58
20	IOA19	50	IOA59
21	IOA20	51	IOA60
22	IOA21	52	IOA61
23	IOA22	53	IOA62
24	IOA23	54	IOA63
25	IOA24	55	IOA64
26	IOA25	56	IOA65
27	IOA26	57	IOA66
28	IOA27	58	IOA67
29	IOA28	59	IOA68
30	IOA29	60	IOA69
31	IOA30	61	IOA70
32	IOA31	62	IOA71
33	IOA32	63	IOA72
34	IOA33	64	IOA73
35	IOA34	65	IOA74
36	IOA35	66	IOA75
37	IOA36	67	IOA76
38	IOA37	68	IOA77
39	IOA38	69	IOA78
40	IOA39	70	IOA79
41	IOA40	71	IOA80
42	IOA41	72	IOA81
43	IOA42	73	IOA82
44	IOA43	74	IOA83
45	IOA44	75	IOA84
46	IOA45	76	IOA85
47	IOA46	77	IOA86
48	IOA47	78	IOA87
49	IOA48	79	IOA88
50	IOA49	80	IOA89

Pin	Signal	Pin	Signal
1	IOB0	31	IOB40
2	IOB1	32	IOB41
3	IOB2	33	IOB42
4	IOB3	34	IOB43
5	IOB4	35	IOB44
6	IOB5	36	IOB45
7	IOB6	37	IOB46
8	IOB7	38	IOB47
9	IOB8	39	IOB48
10	IOB9	40	IOB49
11	IOB10	41	IOB50
12	IOB11	42	IOB51
13	IOB12	43	IOB52
14	IOB13	44	IOB53
15	IOB14	45	IOB54
16	IOB15	46	IOB55
17	IOB16	47	IOB56
18	IOB17	48	IOB57
19	IOB18	49	IOB58
20	IOB19	50	IOB59
21	IOB20	51	IOB60
22	IOB21	52	IOB61
23	IOB22	53	IOB62
24	IOB23	54	IOB63
25	IOB24	55	IOB64
26	IOB25	56	IOB65
27	IOB26	57	IOB66
28	IOB27	58	IOB67
29	IOB28	59	IOB68
30	IOB29	60	IOB69
31	IOB30	61	IOB70
32	IOB31	62	IOB71
33	IOB32	63	IOB72
34	IOB33	64	IOB73
35	IOB34	65	IOB74
36	IOB35	66	IOB75
37	IOB36	67	IOB76
38	IOB37	68	IOB77
39	IOB38	69	IOB78
40	IOB39	70	IOB79
41	IOB40	71	IOB80
42	IOB41	72	IOB81
43	IOB42	73	IOB82
44	IOB43	74	IOB83
45	IOB44	75	IOB84
46	IOB45	76	IOB85
47	IOB46	77	IOB86
48	IOB47	78	IOB87
49	IOB48	79	IOB88
50	IOB49	80	IOB89

\*現在サポート外となります。

HUMAN DATA

2009/02/26

**HuMANDATA LTD.**  
**OSAKA JAPAN**  
[www.hdl.co.jp](http://www.hdl.co.jp)

Doc. No. **XCM-107**

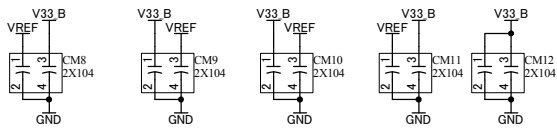
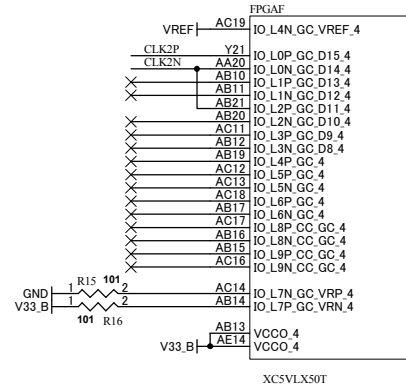
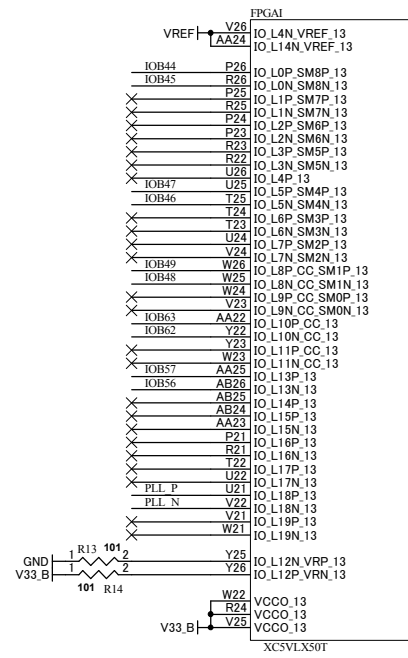
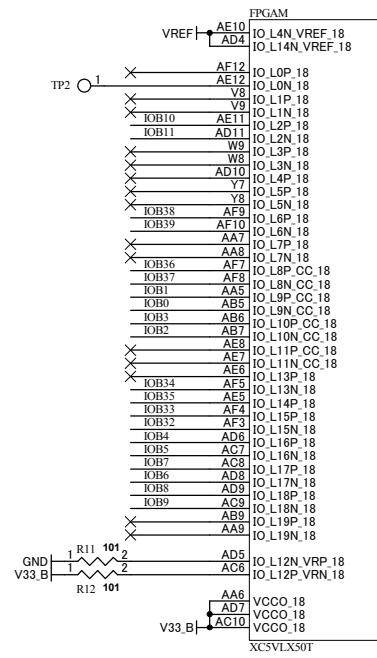
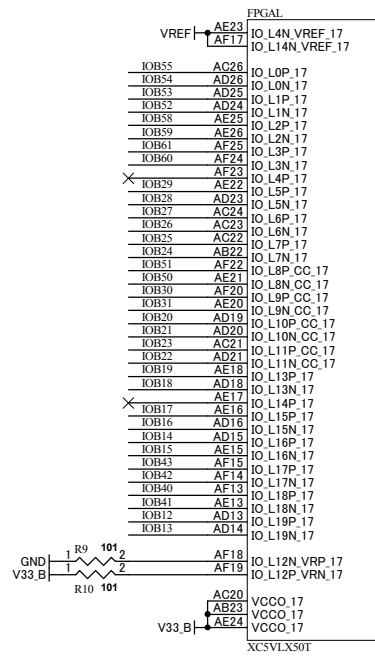
C

Date: 27-Feb-2009 16:44:58 File: XCM107C.sch Sheet 1 of 4

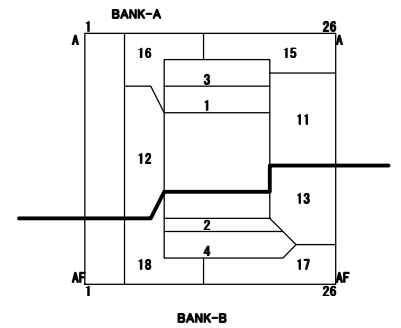
V10	V10
V12	V12
V25	V25
V33_A	V33_A
V33_B	V33_B
GND	GND
VREF	VREF

IOB0\_631 IOB0\_631

CLK2P	CLK2P
CLK2N	CLK2N
PLL_P	PLL_P
PLL_N	PLL_N

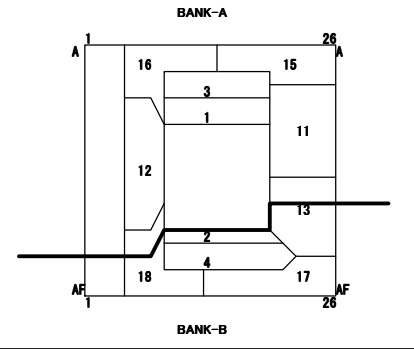
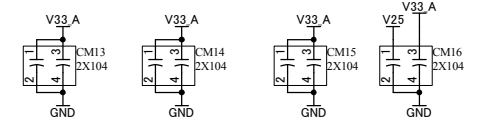
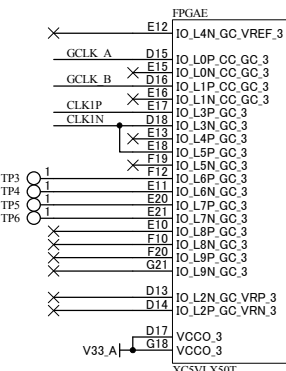
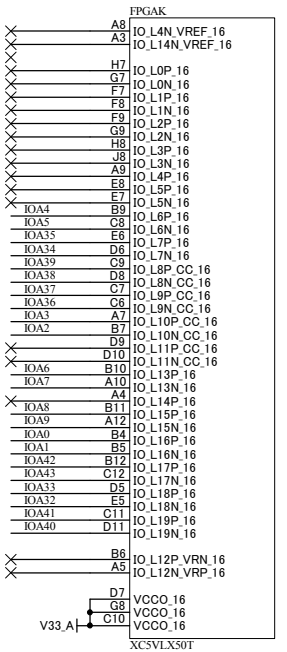
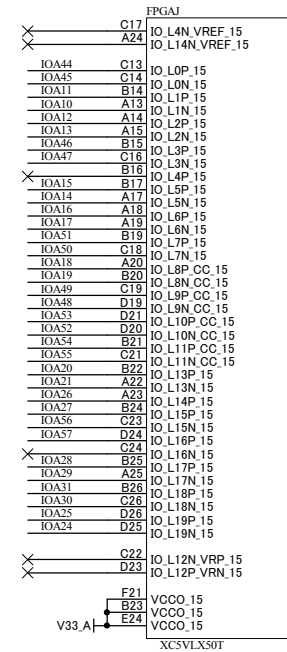
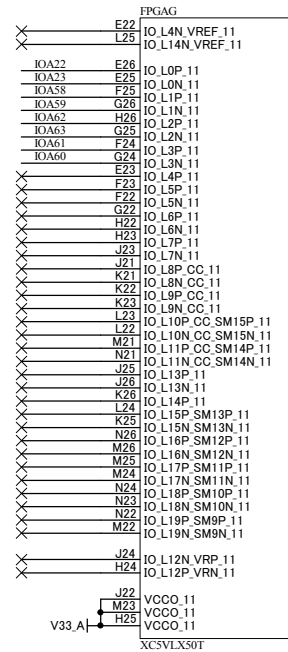
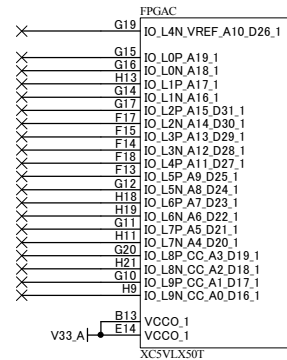
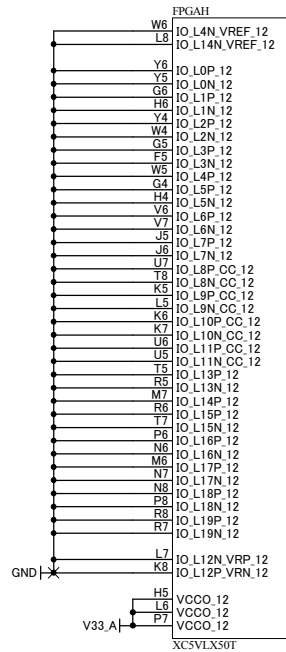


BANK-CD



V10	V10
V12	V12
V25	V25
V33_A	V33_A
V33_B	V33_B
GND	GND

IOA[0..63]	IOA[0..63]
CLK1P	CLK1P
CLKIN	CLKIN
DUMGND[0..17]	DUMGND[0..17]



BANK-AB

V10 V10  
 V12 V12  
 V25 V25  
 V33.A V33.A  
 V33.B V33.B  
 GND GND  
 VREF VREF

DFA1.P DFA1.P  
 DFA1.N DFA1.N  
 DFA2.P DFA2.P  
 DFA2.N DFA2.N  
 DFB1.P DFB1.P  
 DFB1.N DFB1.N  
 DFB2.P DFB2.P  
 DFB2.N DFB2.N  
 PLL.P PLL.P  
 PLL.N PLL.N  
 DUMGND[0..17] DUMGND[0..17]

