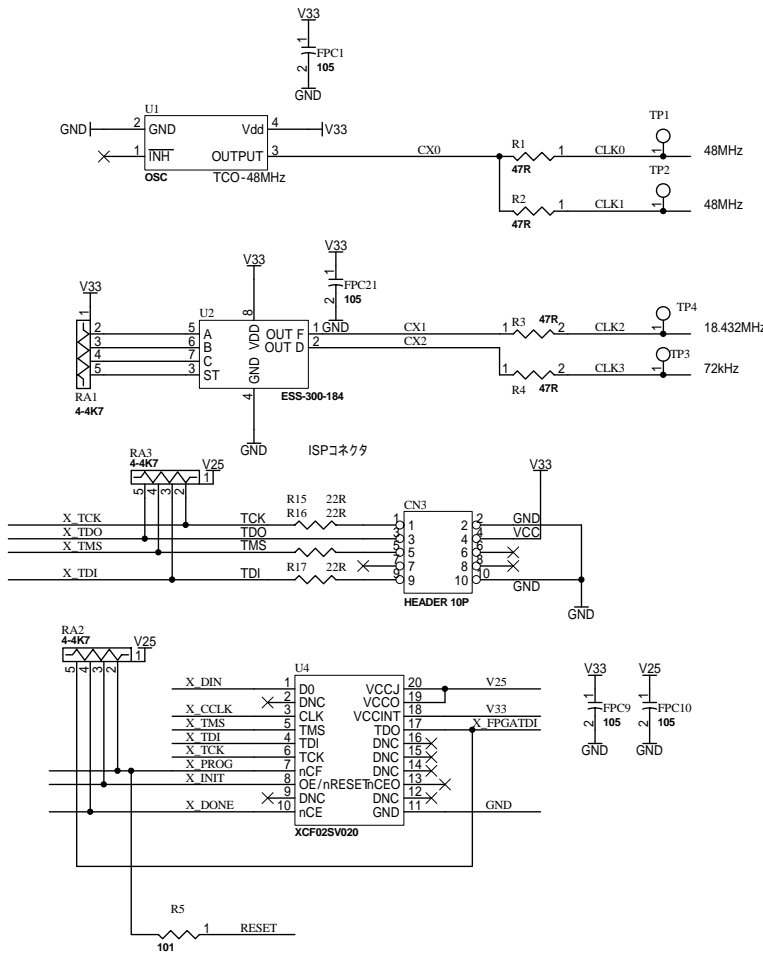
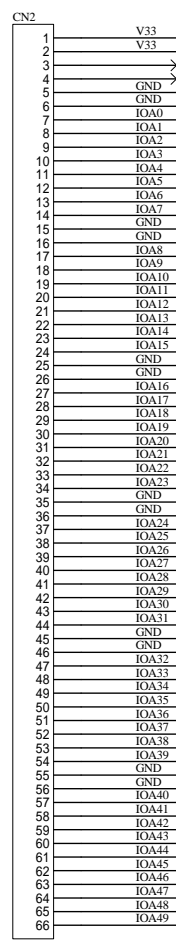


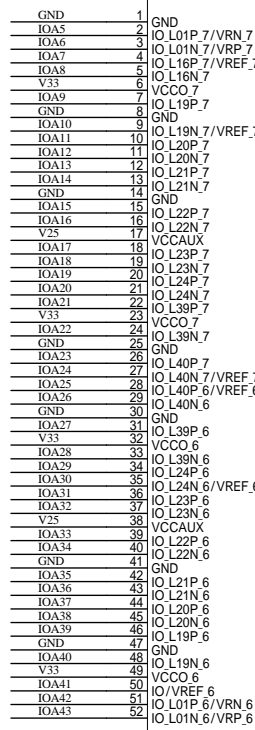
V12 V12
V25 V25
V33 V33
V50 V50
GND GND



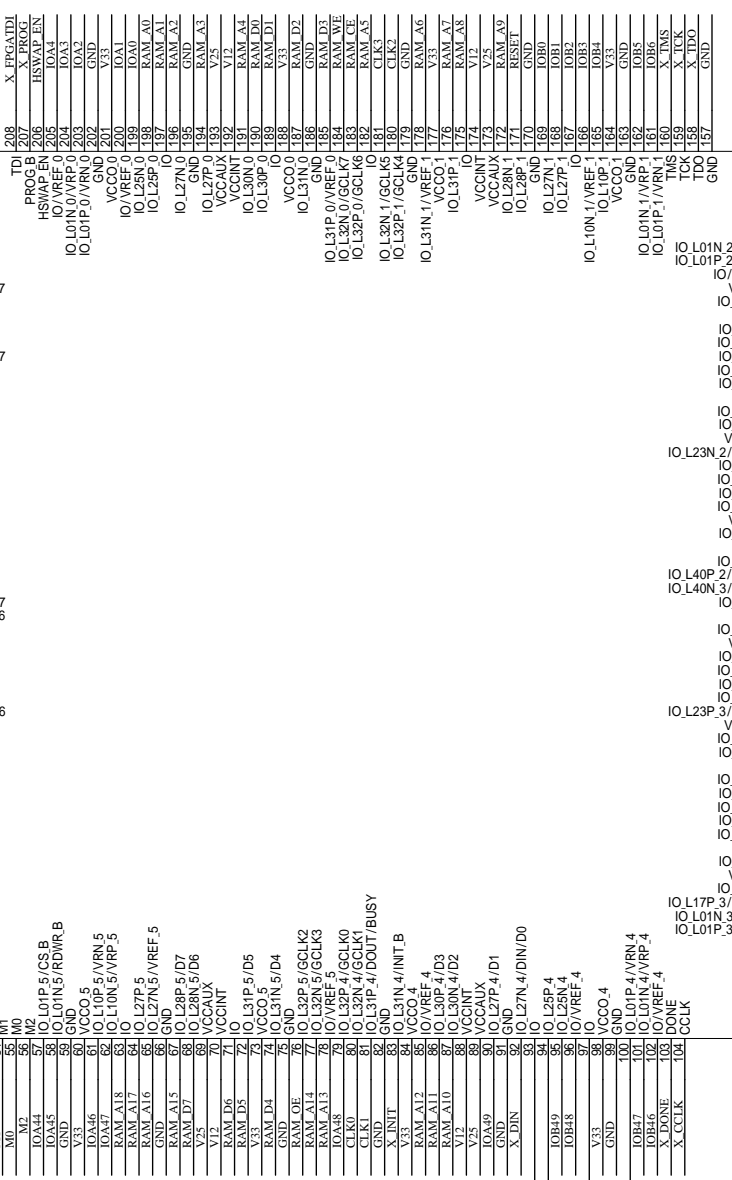
V33 FPC1 105
V33 FPC21 105
V25 FPC11 105
V25 FPC12 105
V33 FPC13 105
V33 FPC14 105
V25 FPC15 105



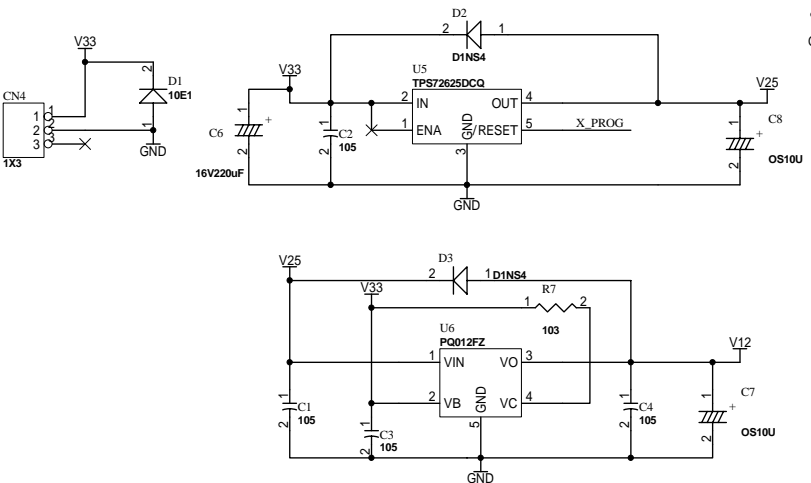
32X2



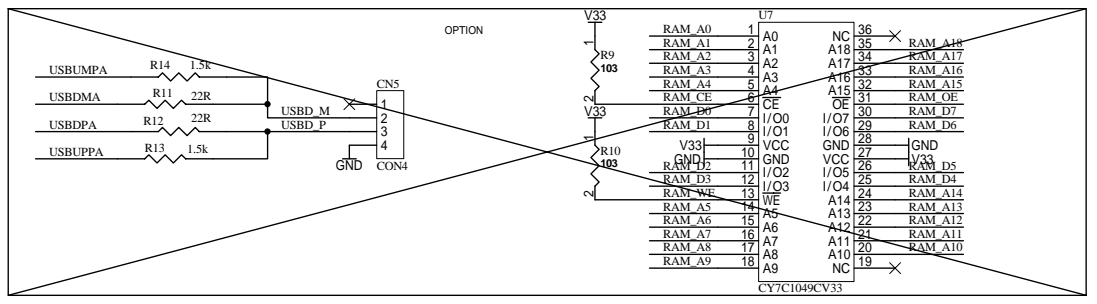
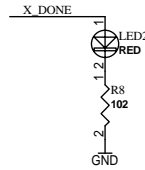
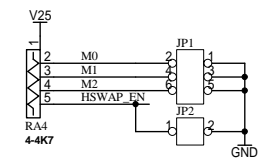
32X2



XC3SXXXQ208



TPG1



HUMAN DATA

HuMANDATA LTD.
OSAKA JAPAN
www.hdl.co.jp

Date: 27-May-2004 16:06:26 File: XCM001B.sch Sheet 1 of 1

SP3 FPGA BOARD

DOC. No. XCM-001

B