

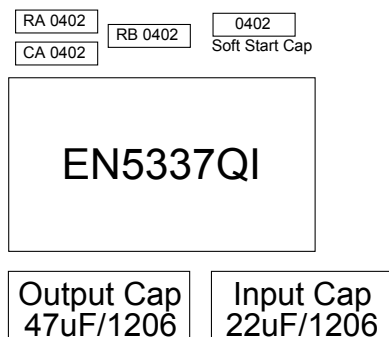
### Description

The EN5337QI is a Power Supply on a Chip (PwrSoC) DC-DC converter. It integrates MOSFET switches, all small-signal circuits, compensation, and the inductor in an advanced 4mm x 7mm QFN package.

The EN5337QI is specifically designed to meet the precise voltage and fast transient requirements of present and future high-performance, low-power processor, DSP, FPGA, memory boards, and system level applications in distributed power architectures. Advanced circuit techniques, ultra high switching frequency, and very advanced, high-density, integrated circuit and proprietary inductor technology deliver high-quality, ultra compact, non-isolated DC-DC conversion.

The Enpirion solution significantly helps in system design and productivity by offering greatly simplified board design, layout and manufacturing requirements. In addition, a reduction in the number of vendors required for the complete power solution helps to enable an overall system cost savings.

All Enpirion products are RoHS compliant and lead-free manufacturing environment compatible.



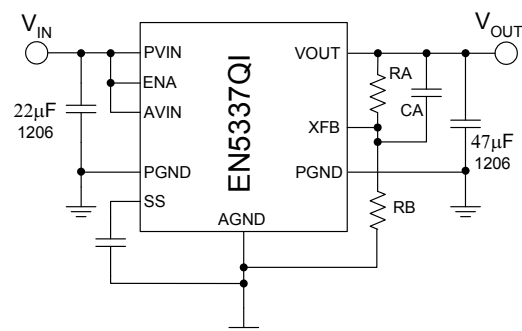
**Figure 1: Total Solution Footprint (Not to scale)**  
Total Area  $\approx 75 \text{ mm}^2$

### Features

- Integrated Inductor, MOSFETS, Controller
- Total Power Solution  $\approx 75 \text{ mm}^2$
- Minimal external components.
- 3A Continuous Output Current Capability
- 5MHz operating frequency. Switching frequency can be phase locked to an external clock.
- High efficiency, up to 92%.
- Wide input voltage range of 2.375V to 5.5V.
- Output Enable pin and Power OK signal.
- Programmable soft-start time.
- Under Voltage Lockout, Over Current, Short Circuit and Thermal Protection.
- RoHS compliant, MSL level 3, 260C reflow.

### Applications

- Point of load regulation for low-power processors, network processors, DSPs, FPGAs, and ASICs
- Noise sensitive applications such as A/V, RF and Gbit I/O
- Low voltage, distributed power architectures with 2.5V, 3.3V or 5V rails
- Computing, Networking, DSL, STB, DVR, DTV, iPC
- Ripple sensitive applications
- Beat frequency sensitive applications



**Figure 2: Typical Application Schematic**

## Ordering Information

Part Number	Temp Rating (°C)	Package
EN5337QI-T	-40 to +85	38-pin QFN T&R
EN5337QI-E	QFN Evaluation Board	

## Pin Assignments (Top View)

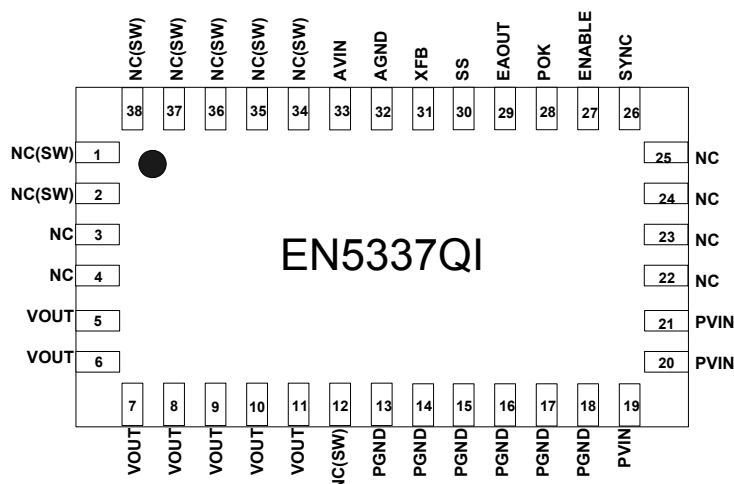


Figure 3: Pinout Diagram (Top View)

NOTE: All perimeter pins must be soldered to PCB.

## Pin Description

PIN	NAME	FUNCTION
1-2, 12, 34-38	NC(SW)	NO CONNECT – These pins are internally connected to the common switching node of the internal MOSFETs. They are not to be electrically connected to any external signal, ground, or voltage. Failure to follow this guideline may result in damage to the device.
3-4, 22-25	NC	NO CONNECT – These pins may be internally connected. Do not connect them to each other or to any other electrical signal. Failure to follow this guideline may result in device damage.
5-11	VOUT	Regulated converter output. Connect these pins to the load, and place output capacitor from these pins and PGND pins 13-15
13-18	PGND	Input/Output power ground. Connect these pins to the ground electrode of the Input and output filter capacitors. See VOUT and PVIN pin descriptions for more details.
19-21	PVIN	Input power supply. Connect to input power supply. Decouple with input capacitor to PGND pins 16-18.
26	SYNC	External Clock Input to synchronize internal switching clock to an external signal
27	ENABLE	Input Enable. Applying logic high enables the output and initiates a soft-start. Applying a logic low disables the output.
28	POK	Power OK is an open drain transistor for power system state indication. POK will be logic high when VOUT is with -10% to +20% of VOUT nominal.
29	EAOUT	Optional Error Amplifier output. Allows for customization of the control loop response.
30	SS	Soft-Start node. The soft-start capacitor is connected between this pin and AGND. The value of this capacitor determines the startup time.
31	XFB	External Feedback Input. The feedback loop is closed through this pin. A voltage divider at VOUT is used to set the output voltage. The mid point of the divider is connected to XFB. A phase lead capacitor from this pin to VOUT is also required to stabilize the loop.
32	AGND	Analog Ground. This is the Ground return for the controller. Needs to be connected to a quiet ground.
33	AVIN	Input power supply for the controller. Needs to be connected to input voltage at a quiet point.

## Absolute Maximum Ratings

CAUTION: Absolute Maximum ratings are stress ratings only. Functional operation beyond the recommended operating conditions is not implied. Stress beyond the absolute maximum ratings may impair device life. Exposure to absolute maximum rated conditions for extended periods may affect device reliability.

PARAMETER	SYMBOL	MIN	MAX	UNITS
Voltages on PVIN, AVIN, VOUT	$V_{IN}$	-0.5	6.0	V
Voltages on Enable, POK		-0.5	$V_{IN}$	V
Voltages on XFB, EAOUT, SYNC, SS		-0.5	2.5	V
Storage Temperature Range	$T_{STG}$	-65	150	°C
Maximum Operating Junction Temperature	$T_{J-ABS Max}$		150	°C
Reflow Temp, 10 Sec, MSL3 JEDEC J-STD-020A			260	°C
ESD Rating – User pins (based on HBM)			2000	V
ESD Rating - NC pins (based on HBM)			1000	V
ESD Rating (based on CDM)			500	V

## Recommended Operating Conditions

PARAMETER	SYMBOL	MIN	MAX	UNIT
Input Voltage Range	$V_{IN}$	2.375	5.5	V
Output Voltage Range	$V_{OUT}$	0.60	$V_{IN} - V_{DO}^{\dagger}$	V
Output Current	$I_{LOAD}$	0	3	A
Operating Junction Temperature	$T_{J-OP}$	- 40	125	°C
Operating Ambient Temperature	$T_{AMB}$	- 40	85	°C

<sup>†</sup>  $V_{DO}$  (drop-out voltage) is defined as ( $I_{LOAD} \times$  Dropout Resistance). Please see Electrical Characteristics table.

## Thermal Characteristics

PARAMETER	SYMBOL	MIN	TYP	MAX	UNITS
Thermal Shutdown	$T_{SD}$		150		°C
Thermal Shutdown Hysteresis	$T_{SDH}$		20		°C
Thermal Resistance: Junction to Ambient ( <b>Note 1</b> )	$\theta_{JA}$		30		°C/W
Thermal Resistance: Junction to Case	$\theta_{JC}$		3		°C/W

**Note 1:** Based on a four layer copper board and proper thermal design in line with JEDEC EIJ/JESD51 standards

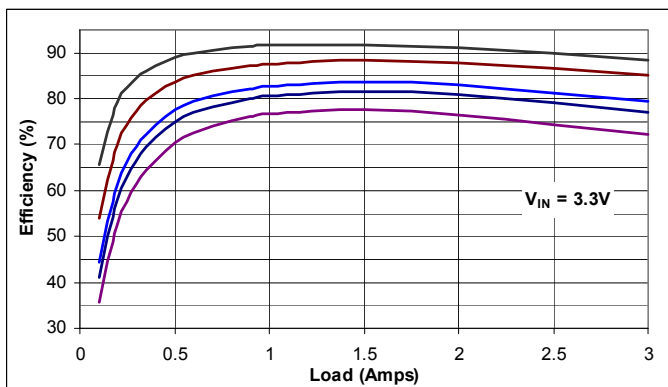
## Electrical Characteristics

NOTE:  $V_{IN}=5.5V$  over operating temperature range unless otherwise noted. Typical values are at  $T_A = 25^\circ C$ .

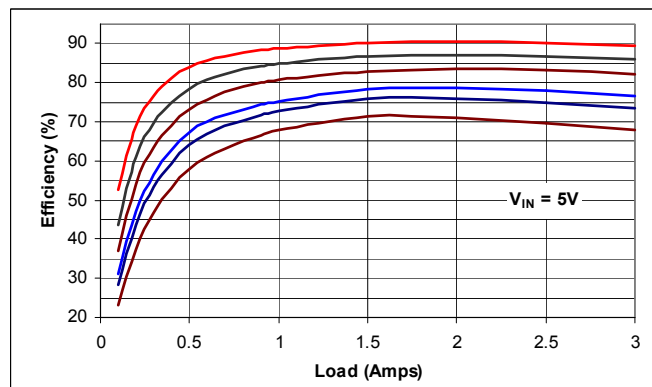
PARAMETER	SYMBOL	TEST CONDITIONS	MIN	TYP	MAX	UNITS
Operating Input Voltage	$V_{IN}$		2.375		5.5	V
Under Voltage Lock-out – $V_{IN}$ Rising	$V_{UVLOR}$	Voltage above which UVLO is not asserted		2.2		V
Under Voltage Lock-out – $V_{IN}$ Falling	$V_{UVLOF}$	Voltage below which UVLO is asserted		2.1		V
Shut-Down Supply Current	$I_S$	ENABLE=0V		100		$\mu A$
Feedback Pin Voltage	$V_{XFB}$	Feedback node voltage – factory setting – $T_A = 25^\circ C$	0.735	0.75	0.765	V
Feedback pin Input Leakage Current <sup>1</sup>	$I_{XFB}$	XFB pin input leakage current	-5		5	nA
Line Regulation	$\Delta V_{OUT\_LINE}$	$2.375V \leq V_{IN} \leq 5.5V$		0.02		%/V
Load Regulation	$\Delta V_{OUT\_LOAD}$	$0A \leq I_{LOAD} \leq 3A$		-0.03		%/A
Temperature Regulation	$\Delta V_{OUT\_TEMP}$	$-40^\circ C \leq TEMP \leq 85^\circ C$		0.003		%/ $^\circ C$
$V_{OUT}$ Rise Time	$t_{RISE}$	Measured from when $V_{IN} \geq V_{UVLOR}$ & ENABLE pin voltage crosses logic high threshold. ( $4.7nF \leq C_{SS} \leq 100nF$ )		$C_{SS} \times 67 k\Omega$		
Rise Time Accuracy <sup>1</sup>	$\Delta T_{RISE}$	$4.7nF \leq C_{SS} \leq 100nF$	-25		+25	%
Output Drop Out Voltage Resistance <sup>1</sup>	$V_{DO}$ $R_{DO}$	$V_{INMIN} - V_{OUT}$ at Full load Input to Output Resistance		250 83	500 167	mV m $\Omega$
Maximum Continuous Output Current	$I_{OUT\_Max\_Cont}$		3			A
Over Current Trip Level	$I_{OCP}$			4.5		A
Disable Threshold	$V_{DISABLE}$	ENABLE pin logic low.	0.0		0.8	V
ENABLE Threshold	$V_{ENABLE}$	ENABLE pin logic high $2.375V \leq V_{IN} \leq 5.5V$	1.8		$V_{IN}$	V
ENABLE Lock-out time	$T_{ENLO}$	Time for device to re-enable after a falling edge on ENABLE pin		700		$\mu S$
ENABLE pin Input Current <sup>1</sup>	$I_{ENABLE}$	ENABLE pin has $\sim 80k\Omega$ pull down			70	$\mu A$
Switching Frequency (Free Running)	$F_{SW}$	Free Running frequency of oscillator		5		MHz
External SYNC Clock Frequency Lock Range	$F_{PLL\_LOCK}$	Range of SYNC clock frequency	4.5		5.5	MHz
SYNC Input Threshold – Low	$V_{SYNC\_LO}$	SYNC Clock Logic Level			0.8	V
SYNC Input Threshold – High	$V_{SYNC\_HI}$	SYNC Clock Logic Level	1.8		2.5	V
POK Threshold	$POK_{TH}$	Output voltage as a fraction of expected output voltage		90		%
POK Output Low Voltage	$V_{POKL}$	With 4mA current sink into POK			0.4	V
POK Output Hi Voltage	$V_{POKH}$	$2.375V \leq V_{IN} \leq 5.5V$			$V_{IN}$	V
POK pin $V_{OH}$ Leakage Current <sup>1</sup>	$I_{POKL}$	POK high			1	$\mu A$

**Note 1:** Parameter guaranteed by design

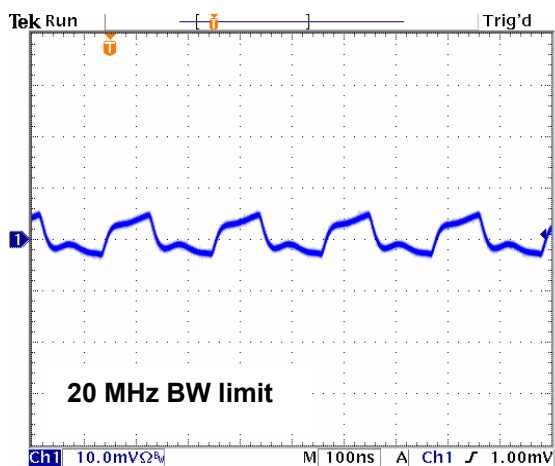
# Typical Performance Characteristics



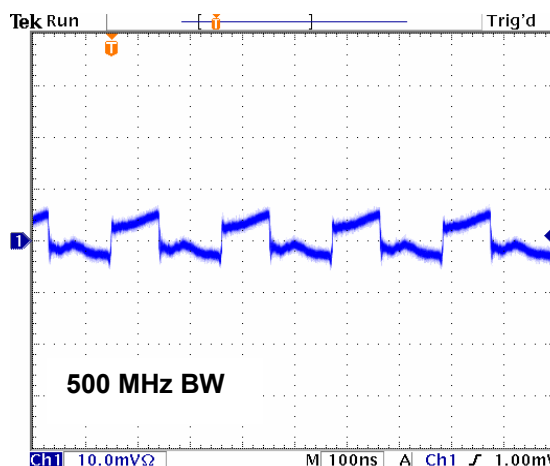
**Efficiency  $V_{IN} = 3.3V$**   
 $V_{OUT}$  (From top to bottom) = 2.5, 1.8, 1.2, 1.0, 0.75V



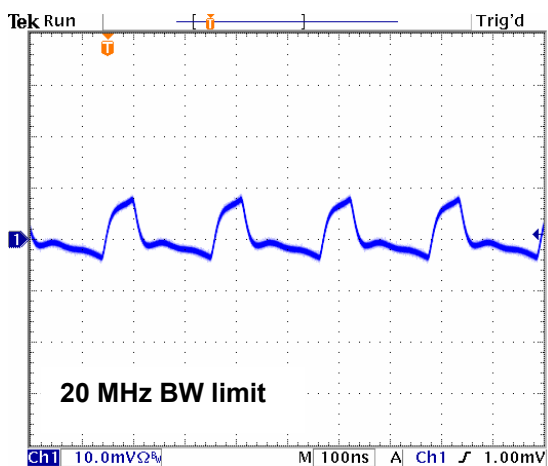
**Efficiency  $V_{IN} = 5.0V$**   
 $V_{OUT}$  (From top to bottom) = 3.3, 2.5, 1.8, 1.2, 1.0, 0.75V



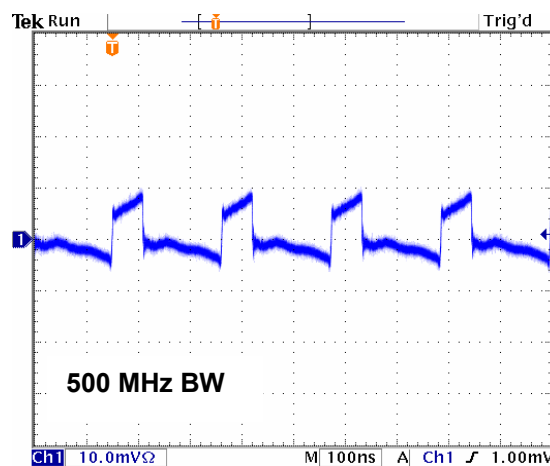
**Output Ripple:  $V_{IN} = 3.3V$ ,  $V_{OUT} = 1.2V$ ,  $I_{OUT} = 3A$**   
 $C_{IN} = 22\mu F$ ,  $C_{OUT} = 47\mu F/1206 + 10\mu F/0805$



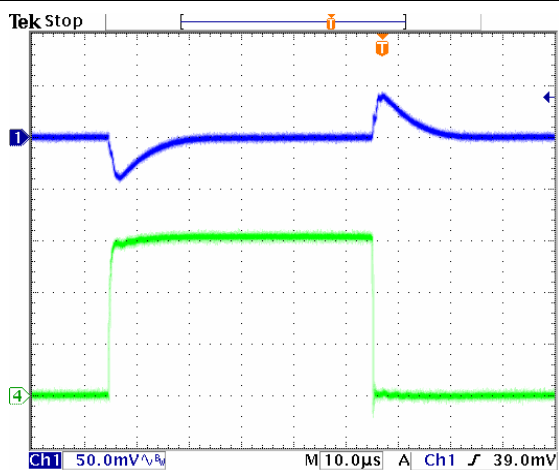
**Output Ripple:  $V_{IN} = 3.3V$ ,  $V_{OUT} = 1.2V$ ,  $I_{OUT} = 3A$**   
 $C_{IN} = 22\mu F$ ,  $C_{OUT} = 47\mu F/1206 + 10\mu F/0805$



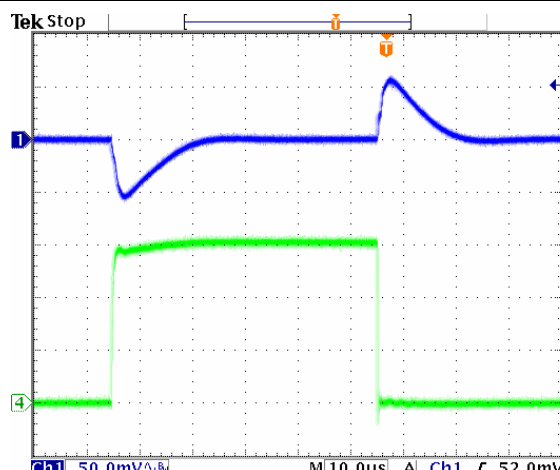
**Output Ripple:  $V_{IN} = 5V$ ,  $V_{OUT} = 1.2V$ ,  $I_{OUT} = 3A$**   
 $C_{IN} = 22\mu F$ ,  $C_{OUT} = 47\mu F/1206 + 10\mu F/0805$



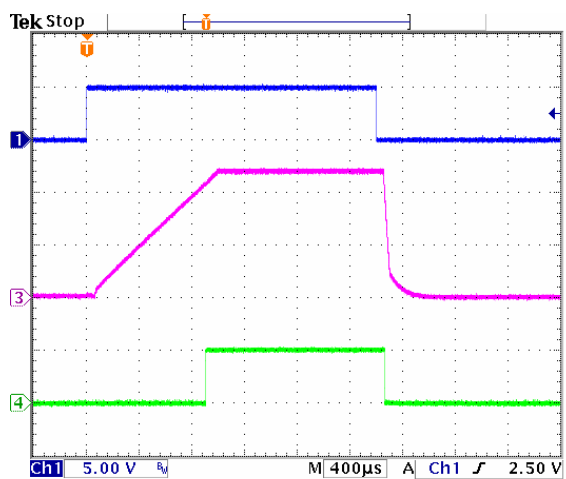
**Output Ripple:  $V_{IN} = 5V$ ,  $V_{OUT} = 1.2V$ ,  $I_{OUT} = 3A$**   
 $C_{IN} = 22\mu F$ ,  $C_{OUT} = 47\mu F/1206 + 10\mu F/0805$



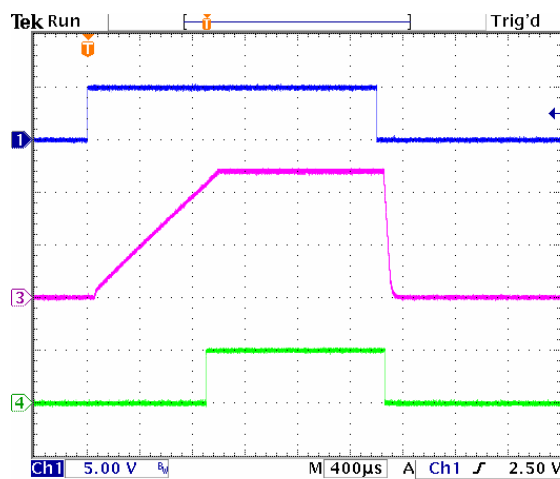
Load Transient:  $V_{IN} = 5.0V$ ,  $V_{OUT} = 1.2V$   
 Ch.1:  $V_{OUT}$ , Ch.4:  $I_{LOAD}$  (slew rate  $\geq 10A/\mu S$ )  
 $C_{IN} = 22\mu F$ ,  $C_{OUT} \approx 50\mu F$



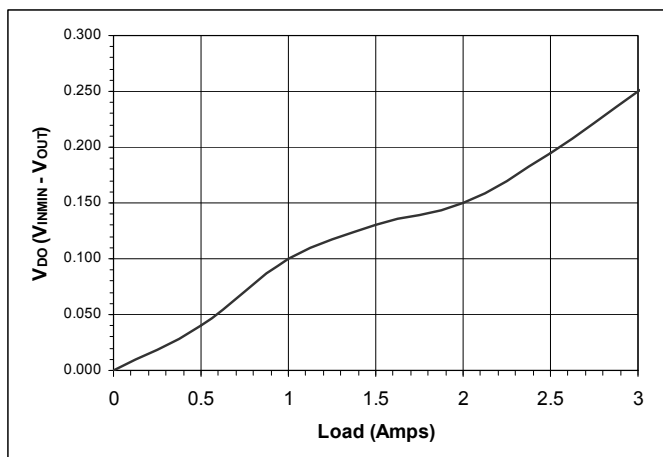
Load Transient:  $V_{IN} = 3.3V$ ,  $V_{OUT} = 1.2V$   
 Ch.1:  $V_{OUT}$ , Ch.4:  $I_{LOAD}$  (slew rate  $\geq 10A/\mu S$ )  
 $C_{IN} = 22\mu F$ ,  $C_{OUT} \approx 50\mu F$



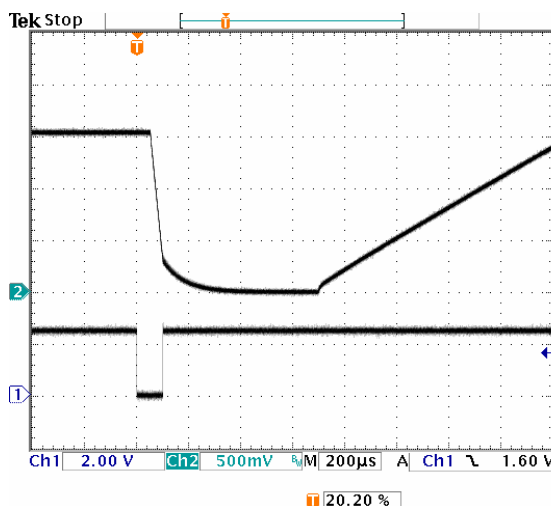
Power Up/Down at No Load:  $V_{IN}/V_{OUT} = 5.0V/1.2V$ ,  
 15nF soft-start capacitor,  
 Ch.1: ENABLE, Ch.3:  $V_{OUT}$ , Ch.4: POK



Power Up/Down into 0.4Ω load:  $V_{IN}/V_{OUT} = 5.0V/1.2V$ ,  
 15nF soft-start capacitor,  
 Ch.1: ENABLE, Ch.3:  $V_{OUT}$ , Ch.4: POK



Drop-Out Voltage



Enable Lock-out Time,  
 Ch.1: ENABLE, Ch. 2:  $V_{OUT}$

## Functional Block Diagram

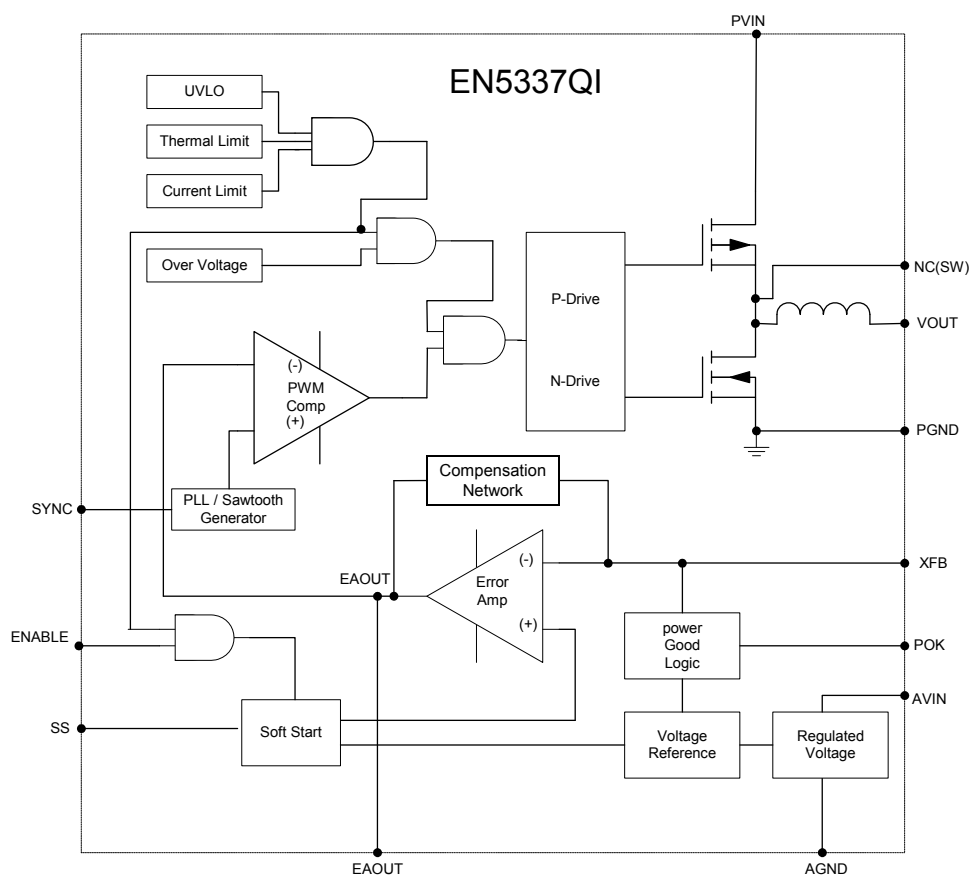


Figure 4: Functional Block Diagram

## Functional Description

### Synchronous Buck Converter

The EN5337QI is a synchronous, programmable power supply with integrated power MOSFET switches and integrated inductor. The nominal input voltage range is 2.375V to 5.5V. The output voltage is programmed using an external resistor divider network. The control loop is voltage-mode with a type III compensation network. Much of the compensation circuitry is internal to the device. However, a phase lead capacitor is required along with the output voltage feedback resistor divider to complete the type III compensation network. The device uses a low-noise PWM topology. Up to 3A of continuous output current can be drawn from this converter. The 5MHz switching frequency allows the use of small size input / output capacitors, and realizes a wide loop bandwidth within a small foot print.

### Protection Features:

The power supply has the following protection features:

- Over-current protection (to protect the IC from excessive load current)
- Thermal shutdown with hysteresis.
- Under-voltage lockout circuit to disable the converter output when the input voltage is less than approximately 2.2V

### Additional Features:

- The switching frequency can be phase-locked to an external clock to eliminate or move beat frequency tones out of band.
- Soft-start circuit, limiting the in-rush current when the converter is initially powered up. The soft start time is programmable with appropriate choice of soft start capacitor value.

- Power good circuit indicating the output voltage is between 90% and 120% of programmed value as long as the feedback loop is closed.

## Enable Operation

The ENABLE pin provides a means to enable normal operation or to shut down the device. Applying logic high will enable the converter into normal operation. When the ENABLE pin is asserted (high) the device will undergo a normal soft start. A logic low will disable the converter. A logic low will power down the device in a controlled manner and the device is subsequently shut down. The device will remain shut-down for the duration of the ENABLE lockout time (see Electrical Characteristics Table). If the ENABLE signal is re-asserted during this time, the device will power up with a normal soft-start at the end of the ENABLE lockout time.

## Frequency Synchronization

The switching frequency of the DC/DC converter can be phase-locked to an external clock source to move unwanted beat frequencies out of band. To avail this feature, the clock source should be connected to the SYNC pin. An activity detector recognizes the presence of an external clock signal and automatically phase-locks the internal oscillator to this external clock. Phase-lock will occur as long as the input clock frequency is in the range of 4.5 to 5.5 MHz. When no clock signal is present, the device reverts to the free running frequency of the internal oscillator.

## Spread Spectrum Mode

The external clock frequency may be swept between 4.5 MHz and 5.5 MHz at repetition rates of up to 10 kHz in order to reduce EMI frequency components.

## Soft-Start Operation

Soft start is a means to reduce the in-rush current when the device is enabled. The output voltage is ramped up gradually upon start-up. The output rise time is controlled by the choice of soft-start capacitor, which is placed between the SS pin (pin 30) and the AGND pin (pin 32).

$$\text{Rise Time: } T_R \approx (C_{SS} * 67k\Omega) \pm 25\%$$

During start-up of the converter, the reference voltage to the error amplifier is linearly increased to its final level by an internal current source of approximately 10uA. The soft start capacitor should be between 4.7nF and 100nf. Typical soft-start rise time is ~1mS with SS capacitor value of 15nF. The rise time is measured from when  $V_{IN} \geq V_{UVLOR}$  and ENABLE pin voltage crosses its logic high threshold to when  $V_{OUT}$  reaches its programmed value.

## POK Operation

The POK signal is an open drain signal (requires a pull up resistor to  $V_{IN}$  or similar voltage) from the converter indicating the output voltage is within the specified range. The POK signal will be logic high ( $V_{IN}$ ) when the output voltage is above 90% of programmed  $V_{OUT}$ . If the output voltage goes below this threshold, the POK signal will be at logic low.

## Over-Current Protection

The current limit function is achieved by sensing the current flowing through the Power PFET. When the sensed current exceeds the over current trip point, both power FETs are turned off for the remainder of the switching cycle. If the over-current condition is removed, the over-current protection circuit will enable normal PWM operation. If the over-current condition persists, the soft start capacitor will gradually discharge causing the output voltage to fall. When the OCP fault is removed, the output voltage will ramp back up to the desired voltage. This circuit is designed to provide high noise immunity.

## Thermal Overload Protection

Thermal shutdown circuit will disable device operation when the Junction temperature exceeds approximately 150°C. After a thermal shutdown event, when the junction temperature drops by approx 20°C, the converter will re-start with a normal soft-start.



## Input Under-Voltage Lock-Out

Internal circuits ensure that the converter will not start switching until the input voltage is above the specified minimum voltage. Hysteresis, input de-glitch, and output leading edge blanking ensure high noise immunity and prevent false UVLO triggers.

## Compensation

The EN5337QI uses a type 3 compensation network. A piece of the compensation circuit is the phase lead capacitor  $C_A$  in Figure 5. This network will provide wide loop bandwidth and

excellent transient performance for most applications. It is optimized for use with about 50 $\mu$ F of output filter capacitance at the voltage sensing point. Additional load decoupling capacitance may be placed beyond the voltage sensing point outside the control loop. Voltage mode operation provides high noise immunity at light load, and low output impedance.

In some applications modifications to the compensation may be required. For more information, contact Enpirion Applications Engineering support.

## Application Information

The EN5337QI output voltage is determined by the voltage presented at the XFB pin. This voltage is set by way of a resistor divider between  $V_{OUT}$  and AGND with the midpoint going to XFB. A phase lead capacitor  $C_A$  is also required for stabilizing the loop. Figure 5 shows the required components and the equations to calculate the values.

some applications, lower value capacitors are needed in parallel with the larger, capacitors in order to provide high frequency decoupling.

## Recommended Input Capacitors

Description	MFG	P/N
10 $\mu$ F, 10V, 10% X7R, 1206 (1-2 capacitors needed)	Murata	GRM31CR71A106KA01L
	Taiyo Yuden	LMK316B7106KL-T
22 $\mu$ F, 10V, 20% X5R, 1206 (1 capacitor needed)	Murata	GRM31CR61A226ME19L
	Taiyo Yuden	LMK316BJ226ML-T

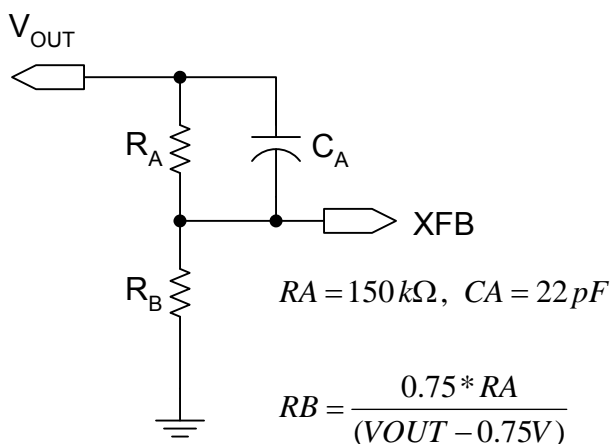


Figure 5:  $V_{OUT}$  Resistor Divider Network and Compensation Capacitor  $C_A$

## Input Capacitor Selection

The EN5337QI requires between 10 $\mu$ F and 20 $\mu$ F of input capacitance. Low-cost, low-ESR ceramic capacitors should be used as input capacitors for this converter. The dielectric must be X5R or X7R rated. Y5V or equivalent dielectric formulations must not be used as these lose too much capacitance with frequency, temperature and bias voltage. In

## Output Capacitor Selection

The EN5337QI has been optimized for use with approximately 50 $\mu$ F of output filter capacitance at the voltage sensing point. Additional load decoupling capacitance may be placed beyond the voltage sensing point outside the control loop. Low ESR ceramic capacitors are required with X5R or X7R rated dielectric formulation. Y5V or equivalent dielectric formulations must not be used as these lose too much capacitance with frequency, temperature and bias voltage.

Output ripple voltage is determined by the aggregate output capacitor impedance. Output impedance, denoted as  $Z$ , is comprised of effective series resistance, ESR, and effective series inductance, ESL:

$$Z = \text{ESR} + \text{ESL}$$

Placing output capacitors in parallel reduces the impedance and will hence result in lower

ripple voltage.

$$\frac{1}{Z_{Total}} = \frac{1}{Z_1} + \frac{1}{Z_2} + \dots + \frac{1}{Z_n}$$

## Typical Ripple Voltages

Output Capacitor Configuration	Typical Output Ripple (mVp-p) (as measured on EN5335QI Evaluation Board)
1 x 47 uF	30
47 uF + 10 uF	15

## Recommended Output Capacitors

Description	MFG	P/N
47uF, 6.3V, 20% X5R, 1206 (1 capacitor needed)	Murata	GRM31CR60J476ME19L
	Taiyo Yuden	JMK212BJ476ML-T
10uF, 6.3V, 10% X5R, 0805 (Optional 1 capacitor in parallel with 47uF above)	Murata	GRM21BR60J106KE19L
	Taiyo Yuden	JMK212BJ106KG-T

## Power-Up Sequencing

During power-up, ENABLE should not be asserted before PVIN, and PVIN should not be asserted before AVIN. Tying all three pins together meets these requirements.

## Thermal Considerations

The Enpirion EN5337QI DC-DC converter is packaged in a 7 x 4 x 1.85mm 38-pin QFN package. The QFN package is constructed with copper lead frames that have exposed thermal pads. The recommended maximum junction temperature for continuous operation is 125°C. Continuous operation above 125°C will reduce long-term reliability. The device has a thermal overload protection circuit designed to shut it off at an approximate junction temperature value of 150°C.

The silicon is mounted on a copper thermal pad that is exposed at the bottom of the package. The thermal resistance from the silicon to the exposed thermal pad is very low. In order to take advantage of this low resistance, the exposed thermal pad on the package should be soldered directly on to a copper ground pad on the printed circuit board (PCB). The PCB then acts as a heat sink. In order for the PCB to be an effective heat sink, the device thermal pad should be coupled to copper ground planes or special heat sink structures designed into the PCB (refer to the recommendations at the end of this note).

The junction temperature,  $T_J$ , is calculated from the ambient temperature,  $T_A$ , the device power dissipation,  $P_D$ , and the device junction-to-ambient thermal resistance,  $\theta_{JA}$  in °C/W:

$$T_J = T_A + (P_D)(\theta_{JA})$$

The junction temperature,  $T_J$ , can also be expressed in terms of the device case temperature,  $T_C$ , and the device junction-to-case thermal resistance,  $\theta_{JC}$  in °C/W, as follows:

$$T_J = T_C + (P_D)(\theta_{JC})$$

The device case temperature,  $T_C$ , is the temperature at the center of the exposed thermal pad at the bottom of the package.

The device junction-to-ambient and junction-to-case thermal resistances,  $\theta_{JA}$  and  $\theta_{JC}$ , are shown in the Thermal Characteristics table on page 3. The  $\theta_{JC}$  is a function of the device and the 38-pin QFN package design. The  $\theta_{JA}$  is a function of  $\theta_{JC}$  and the user's system design parameters that include the thermal effectiveness of the customer PCB and airflow.

The  $\theta_{JA}$  value shown in the Thermal Characteristics table on page 3 is for free convection with the device heat sunk (through the thermal pad) to a copper plated four-layer PC board with a full ground and a full power plane following JEDEC EIJ/JESD 51 Standards. The  $\theta_{JA}$  can be reduced with the use of forced air convection. Because of the strong dependence on the thermal effectiveness of the PCB and the system design, the actual  $\theta_{JA}$  value will be a function of the specific application.

## Design Considerations

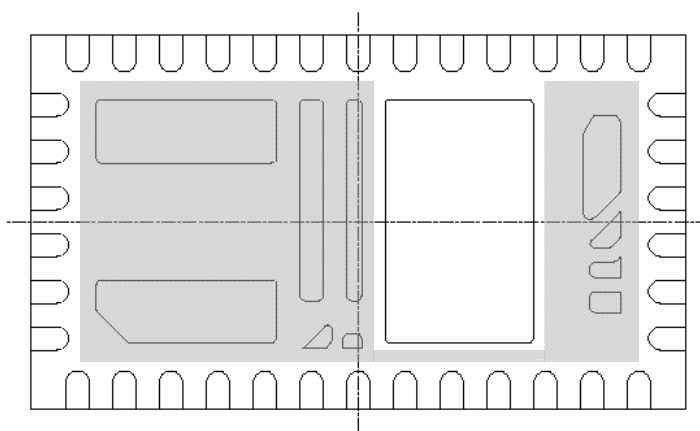
### Exposed Metal on Bottom of Package

Lead frames offers many advantages in thermal performance, in reduced electrical lead resistance, and in overall foot print. However, they do require some special considerations.

In the assembly process lead frame construction requires that, for mechanical support, some of the lead-frame cantilevers be exposed at the point where wire-bond or internal passives are attached. This results in

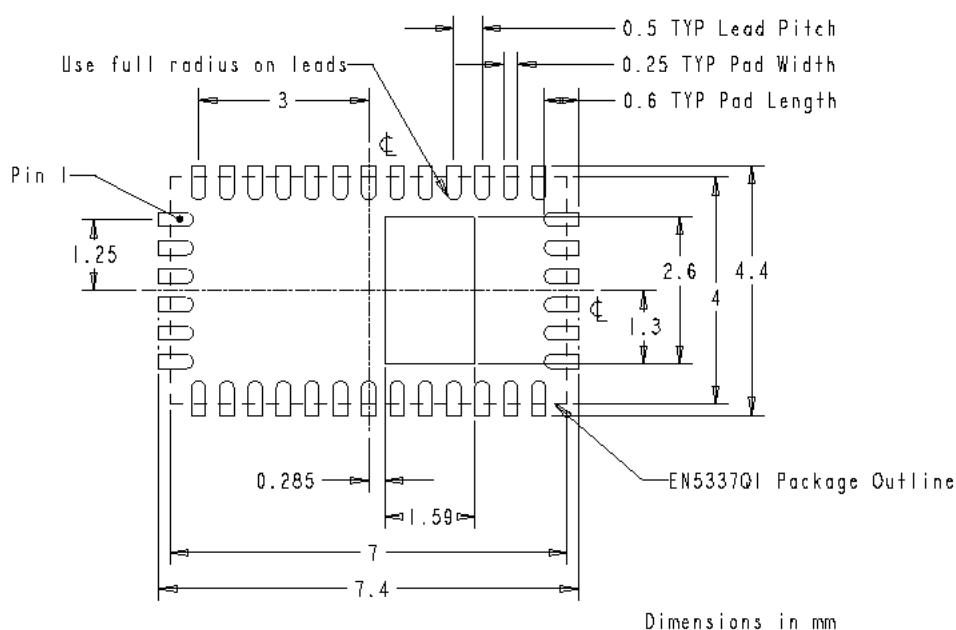
several small pads being exposed on the bottom of the package.

Only the large thermal pad and the perimeter pads are to be mechanically or electrically connected to the PC board. The PCB top layer under the EN5337QI should be clear of any metal except for the large thermal pad and the perimeter pads. The “grayed-out” area in Figure 6 represents the area that should be clear of any metal (traces, vias, or planes), on the top layer of the PCB.



**Figure 6: Lead-Frame Exposed Metal (package bottom view). Grey area highlights exposed metal below which there should not be any metal (traces, vias, or planes) on the top layer of PCB.**

## Recommended PCB Footprint



**Figure 7: EN5337QI Package PCB Footprint**

## Package and Mechanical

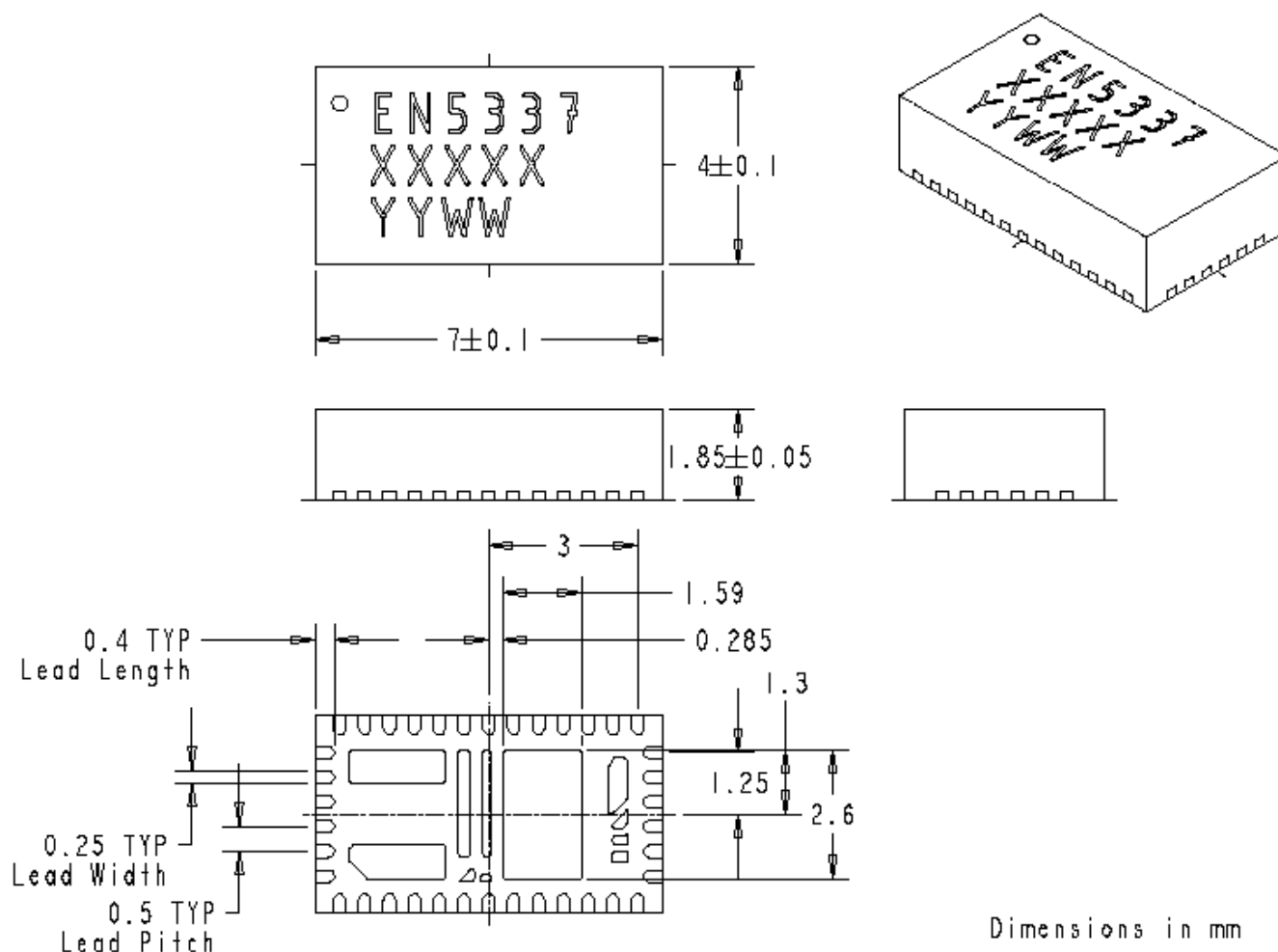


Figure 8: EN5337QI Package Dimensions

## Contact Information

Enpirion, Inc.  
 Perryville III  
 53 Frontage Road, Suite 210  
 Hampton, NJ 08827  
 USA  
 Phone: +1-908-894-6000  
 Fax: +1-908-894-6090  
 www.enpirion.com

Enpirion reserves the right to make changes in circuit design and/or specifications at any time without notice. Information furnished by Enpirion is believed to be accurate and reliable. Enpirion assumes no responsibility for its use or for infringement of patents or other third party rights, which may result from its use. Enpirion products are not authorized for use in nuclear control systems, as critical components in life support systems or equipment used in hazardous environment without the express written authority from Enpirion.