

13 12 11 10 9 8 7 6 5 4 3 2 1

MATERIALS AND FINISHES

BODY SEE TABLE  
PLATED SEE TABLE

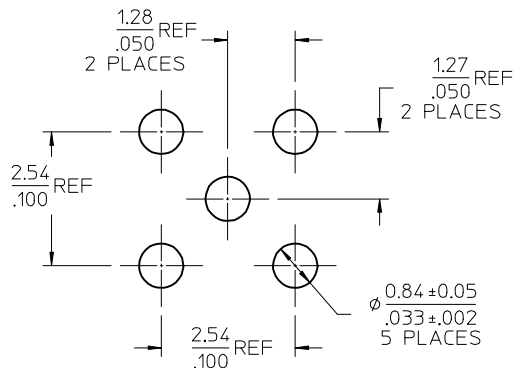
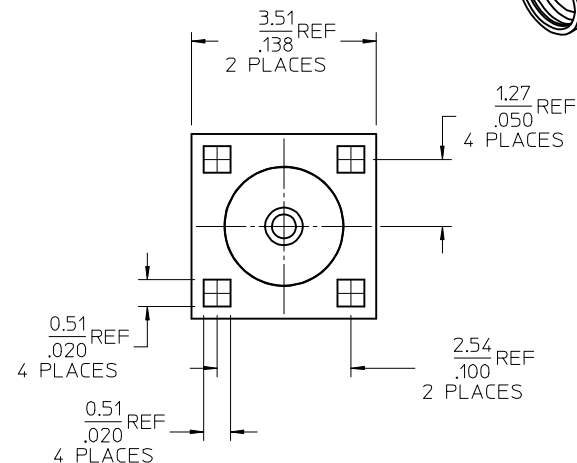
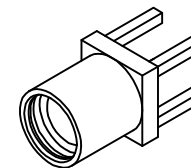
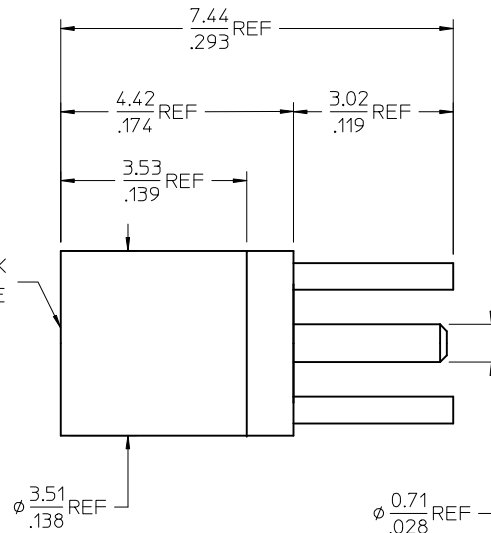
CENTER CONTACT BERYLLIUM COPPER  
PLATED GOLD

INSULATOR TEFLON / WHITE

NOTE  
PART # 73415-1473 IS

(NON-MAGNETIC)

MMCX JACK  
INTERFACE



RECOMMENDED PCB LAYOUT

73415-1475	P/N 73415-1471 WITH TAPE AND REEL	BRASS/GOLD(PER COMMERCIAL REQUIREMENT)
73415-1474	TRAY	BRASS/GOLD(PER COMMERCIAL REQUIREMENT)
73415-1473	BULK	BeCu/GOLD (NON MAGNETIC)
73415-1472	P/N 73415-1471, ONE PER BAG	BRASS/GOLD(PER COMMERCIAL REQUIREMENT)
73415-1471	BULK	BRASS/GOLD(PER COMMERCIAL REQUIREMENT)
73415-1470	BULK	BRASS/GOLD(PER MILITARY REQUIREMENT)
ES-73599-0000-016	INTERFACE	
PS-89675-1910	ELECTRO/MECH PER.	PART NO. PACKAGING
SPECIFICATION	DESCRIPTION	MATERIAL/PLATING

ES-73599-0000-016	INTERFACE
PS-89675-1910	ELECTRO/MECH PER.
SPECIFICATION	DESCRIPTION

CHG: ADDED PTFEFLON COLOR WHITE ELC NO. URF2010-0165 DRAWN: YCHENG 2009/09/30 CHKD: 2009/10/01 APPR: MHIANG 2009/10/01 B7 REV	QUALITY SYMBOLS	GENERAL TOLERANCES (UNLESS SPECIFIED)	DIMENSION STYLE	SCALE	DESIGN UNITS	THIRD ANGLE PROJECTION
	=0 =0	mm INCH 4 PLACES ± --- ± --- 3 PLACES ± --- ± --- 2 PLACES ± --- ± --- 1 PLACE ± --- ± --- ANGULAR ± 2 °	MM/IN	SCALE	METRIC	THIRD ANGLE PROJECTION
		DRAFT WHERE APPLICABLE MUST REMAIN WITHIN DIMENSIONS	DRAWN BY DATE TEF 2000/01/14 CHECKED BY DATE TEF 2000/01/14 APPROVED BY DATE GMH 2000/01/14	TITLE		
			MATERIAL NO. SEE TABLE DOCUMENT NO. SD-73415-147 SHEET NO. 1 OF 3	MMCX JACK, PCB MOUNT 50 OHMS MMCX-J/PCB MOLEX INCORPORATED		

12 11 10 9 8 7 6 5 4 3 2 1